

72 LED™ Upgrade Kit Installation Guide

Fixture: SLVT - LARGENT



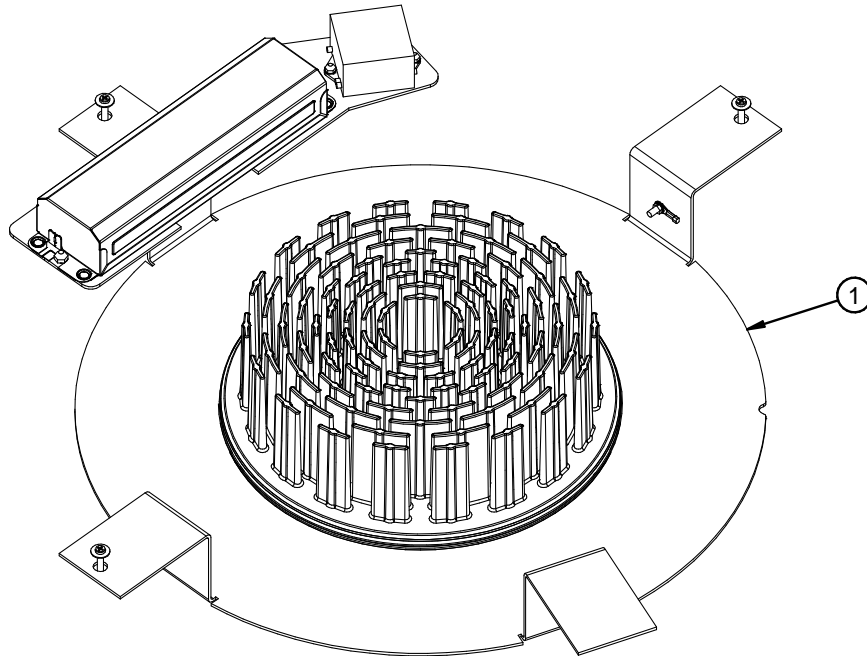
WARNING: Fixtures must be grounded in accordance with local codes or the National Electrical Code. Failure to do so may result in serious personal injury.

MAINTENANCE: A regularly scheduled maintenance program should be established to retain optimum light output and reduce heat retention. Dusting with a soft, clean, dry cloth is normally sufficient for the optics.

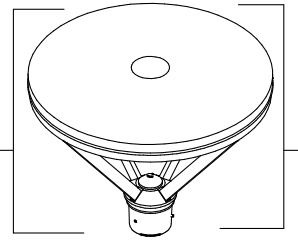
CAUTION: All wiring must be done by a qualified electrician. KEEP THIS SHEET FOR FUTURE REFERENCE.

UPGRADE KIT CONTENTS

NOTE: THIS UPGRADE KIT IS ONLY COMPATIBLE WITH MICROCORE LED HOUSINGS. ANY Y-LED OR HID CONFIGURATIONS WILL REQUIRE COMPLETE FIXTURE REPLACEMENT.




UPGRADE KIT CONTENTS			
ITEM #	PART #	QTY	DESCRIPTION
1	SLVT2-LK	1	LARGENT LED2.0 UPGRADE



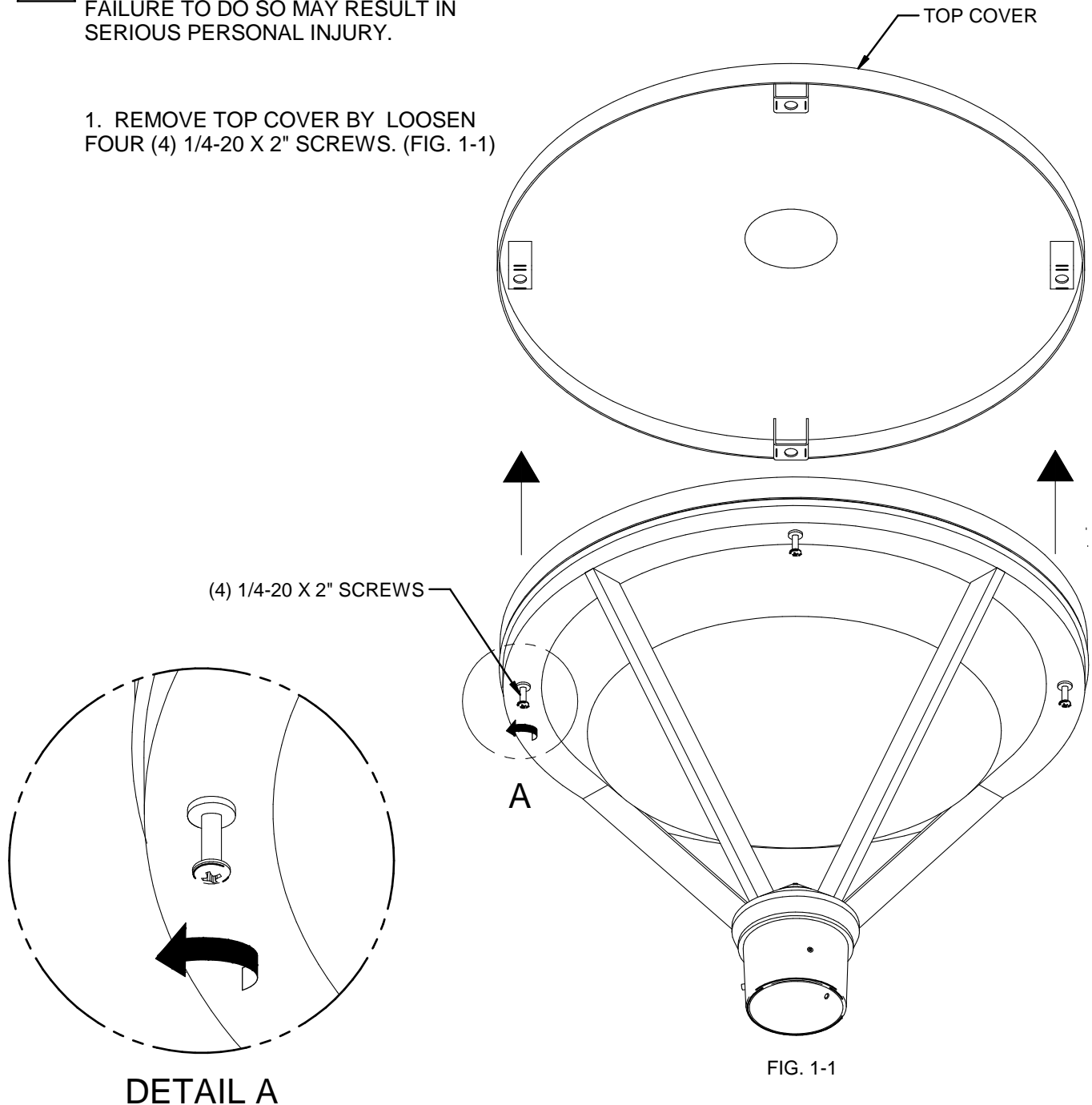
72 LED™ Upgrade Kit Installation Guide

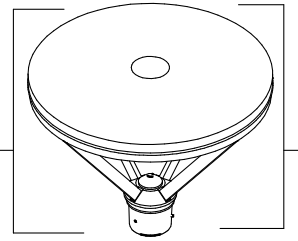
Fixture: SLVT - LARGENT

1. REMOVE TOP COVER

 **TURN OFF ALL POWER TO THE UNIT AND TAKE PROPER SAFETY PRECAUTIONS. FAILURE TO DO SO MAY RESULT IN SERIOUS PERSONAL INJURY.**

1. REMOVE TOP COVER BY LOOSEN FOUR (4) 1/4-20 X 2" SCREWS. (FIG. 1-1)





72 LED™ Upgrade Kit Installation Guide

Fixture: SLVT - LARGENT

2. REMOVE EXISTING MICROCORE DECK COMPONENTS

1. DISENGAGE QUICK-DISCONNECT AND PULL APART. (FIG. 2-1)
2. REMOVE MICROCORE DECK ASSEMBLY BY REMOVING 3 X A84132 SCR 8-32x.75 PHH THMS SS.
3. DISCONNECT ALL WIRE CONECTIONS.

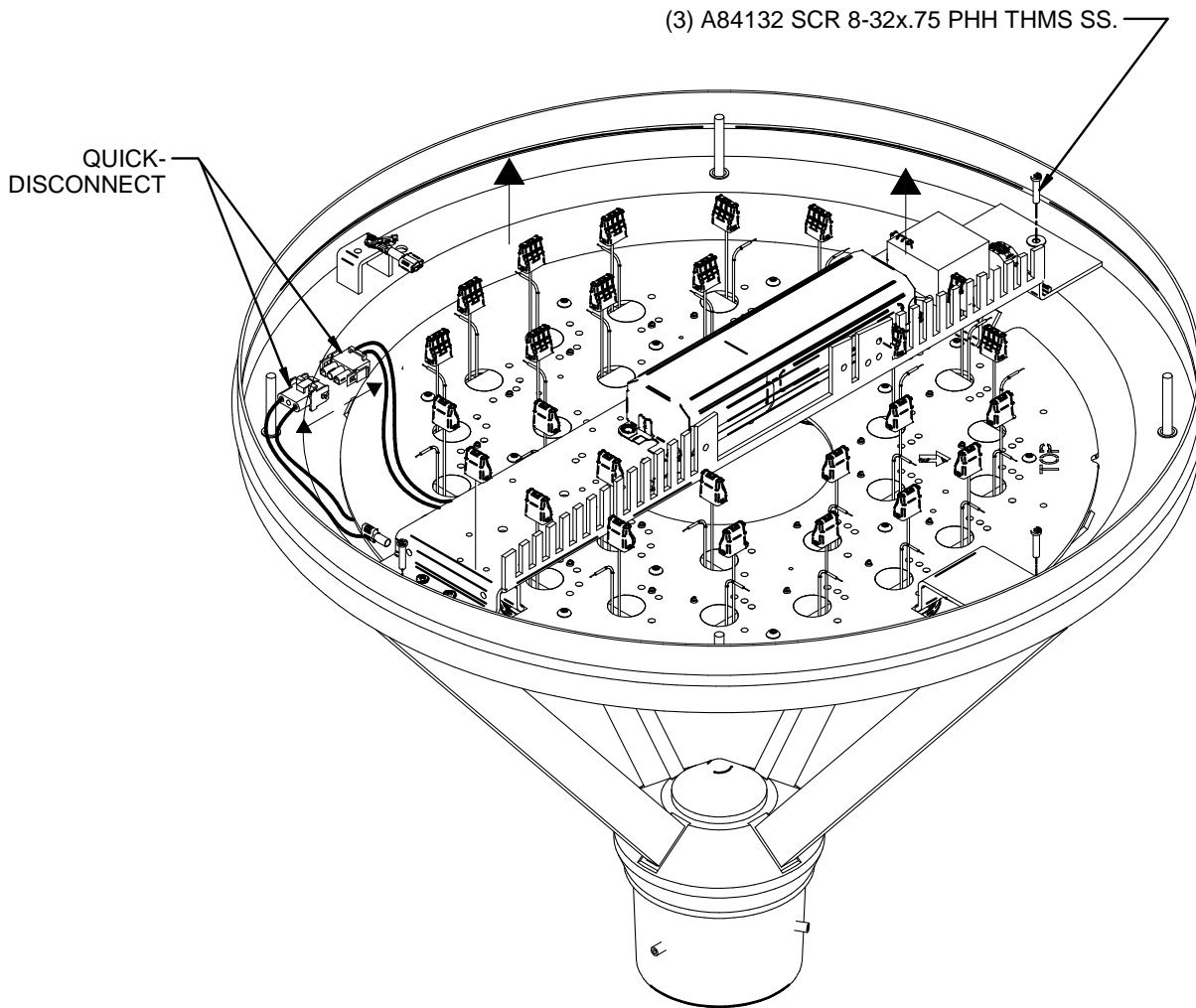
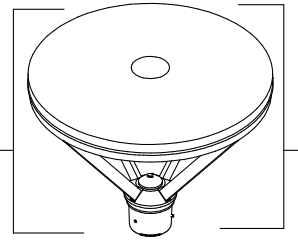


FIG 2-1



72 LED Upgrade Kit Installation Guide

Fixture: SLVT - LARGENT

3. INSTALLING 72 LED MODULE

1. LINE UP 72 LED MODULE ASSY CARRIER PLATE HOLES OVER SCREWS, SECURE MODULE TO HOUSING WITH THREE A84132 SCR 8-32x.75 PHH THMS SS. (FIG. 3-1)
2. USING EXISTING HARDWARE BOND RING TERMINAL TO HOUSING. (FIG. 3-1)
3. CONNECT QUICK-DISCONNECT. IF REQUIRED, ATTACH PROVIDED FEMALE QUICK-DISCONNECT WIRE HARNESS USING PROVIDED CRIMP CONNECTORS. (FIG. 3-1)
4. MAKE ALL WIRE CONNECTIONS.

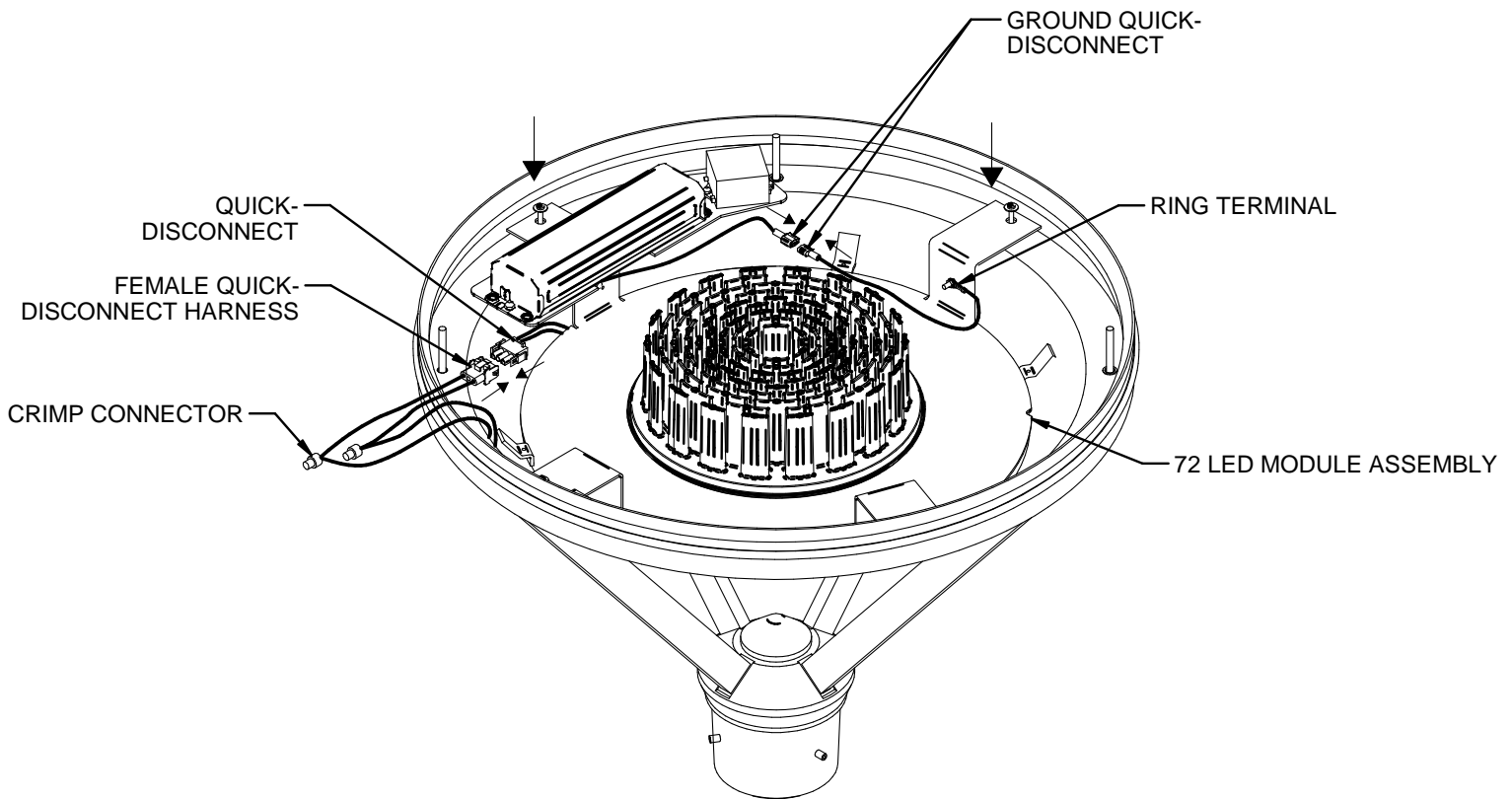
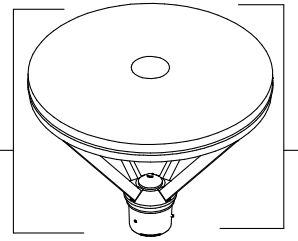


FIG 3-1



72 LED™ Upgrade Kit Installation Guide

Fixture: SLVT - LARGENT

4. INSTALLING TOP COVER

1. RETURN TOP COVER TO ITS ORIGINAL POSITION AND SECURE WITH 4 1/4-20 SCREWS. (FIG. 4-1)
2. INSTALLATION COMPLETE.

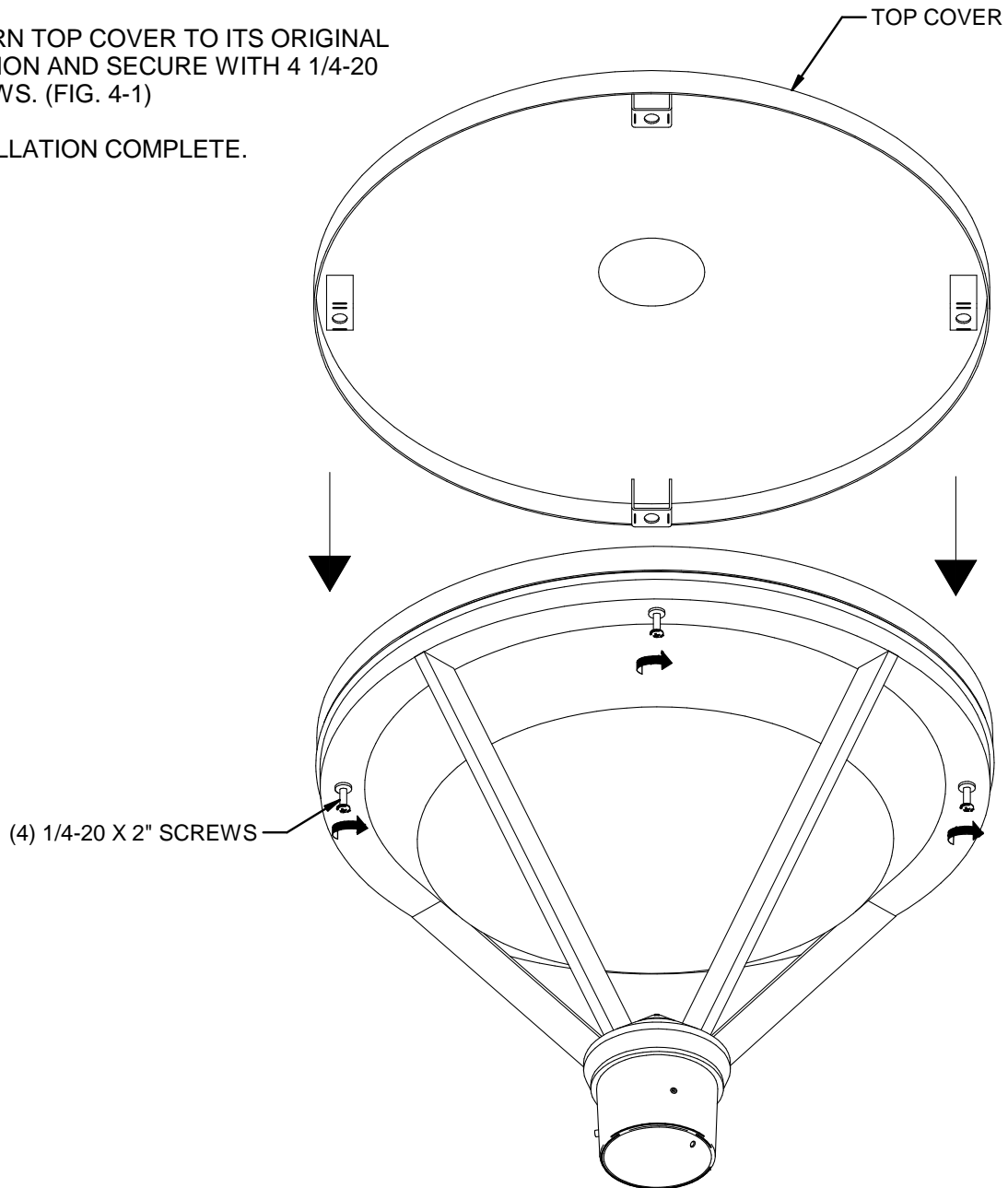


FIG. 4-1