

Upgrade Kit Installation Guide

Fixture: PROV - Providence Medium

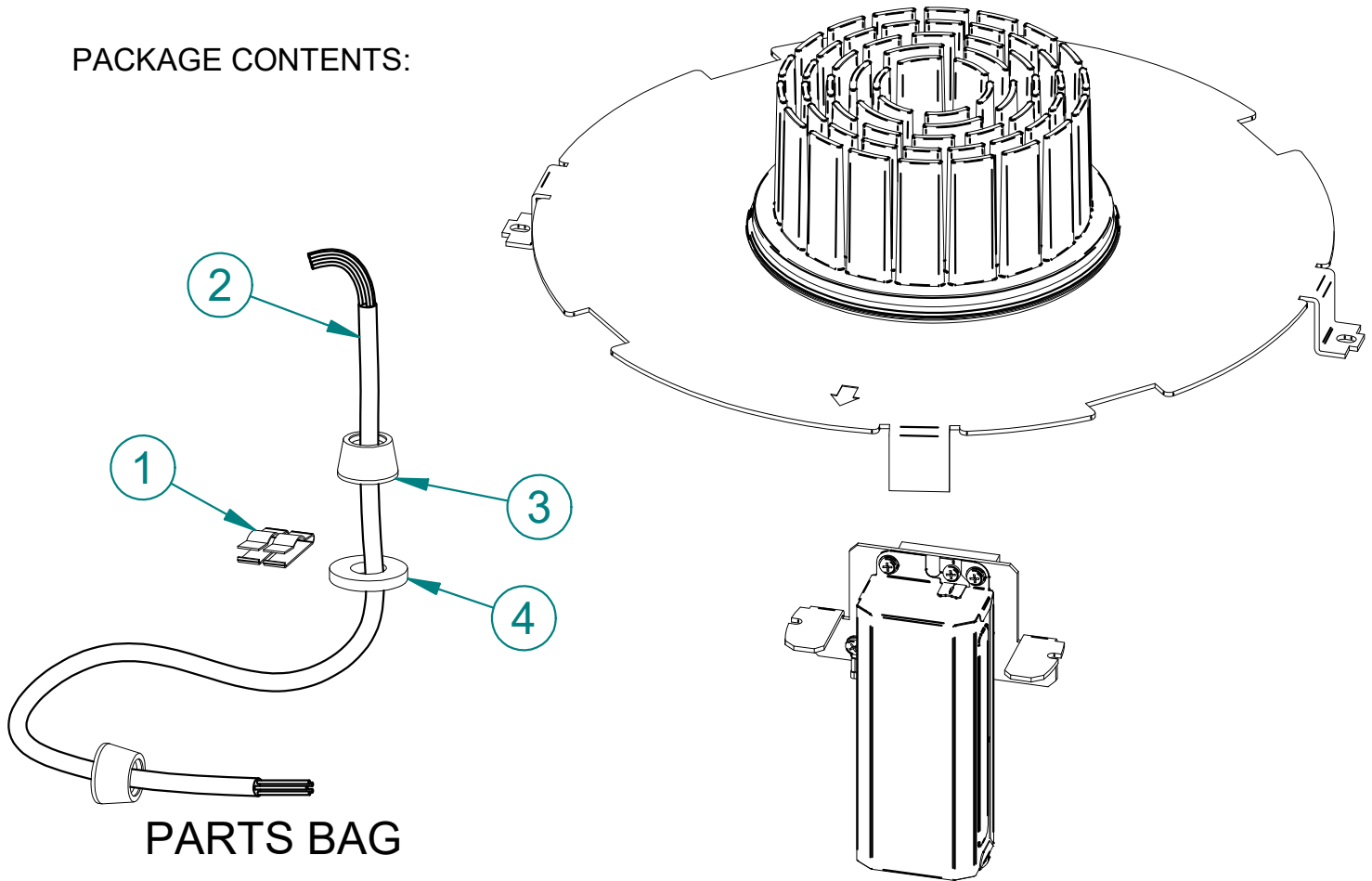


WARNING: Fixtures must be grounded in accordance with local codes or the National Electrical Code. Failure to do so may result in serious personal injury.

MAINTENANCE: A regularly scheduled maintenance program should be established to retain optimum light output and reduce heat retention. Dusting with a soft, clean, dry cloth is normally sufficient for the optics.

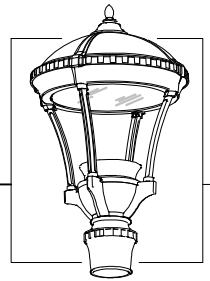
CAUTION: All wiring must be done by a qualified electrician. KEEP THIS SHEET FOR FUTURE REFERENCE.

PACKAGE CONTENTS:



PARTS BAG

| 4 | 1 | A84106 | WASHER 13/32x7/8x1/8 FLAT 316 SS | |
|--------|-----|-------------|------------------------------------|-------|
| 3 | 2 | 93049810 | TAPERED BUSHING .625in ODx.275inID | |
| 2 | 1 | 93007211-24 | CABLE 5 CONDUCTOR - 24in LONG | |
| 1 | 2 | A80120 | CLIP-FITTER CAP BOTTOM | |
| ITEM # | QTY | PART # | DESCRIPTION | NOTES |



MicroCore Upgrade Kit Installation Guide

Fixture: PROV - Providence Medium

1. PREPARE TOP DOME

REFLECTOR ASSEMBLY (REMOVE)

BALLAST ASSEMBLY (REMOVE)

FIG. 1-1

INDIRECT MODEL
OR
DIRECT MODEL

FIG. 1-2

REFLECTOR (REMOVE)

! 1. TURN OFF ALL POWER TO THE UNIT AND TAKE PROPER SAFETY PRECAUTIONS.

2. Open lid. Remove reflector assembly, ballast assembly, and all associated hardware. (FIG. 1-1 or FIG 1-2). Leave fixture wires as long as possible.

3. Remove the Ground wire and screw (if equipped). Your Upgrade Kit is a Class 2 System and will not use a ground in the top dome location.

2.

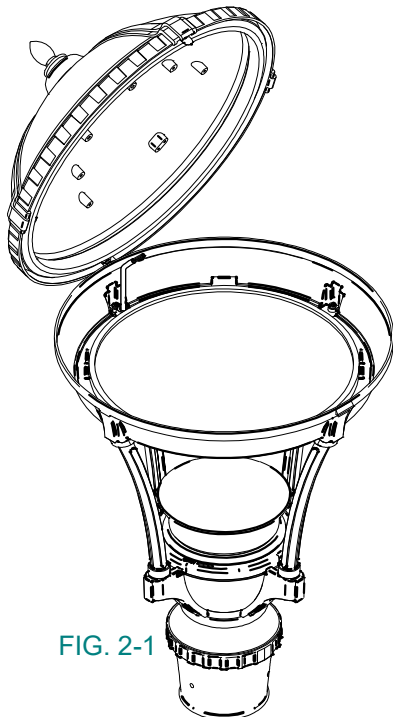


FIG. 2-1

The entire top dome should now be completely clear of all sheet metal and hardware.

3. LENS REMOVAL *or* INSTALLATION (OPTIONAL):

The fixture can be used with or without lens (no lens recommended).

If installing lens, be sure the ridge on the gasket is on the bottom.

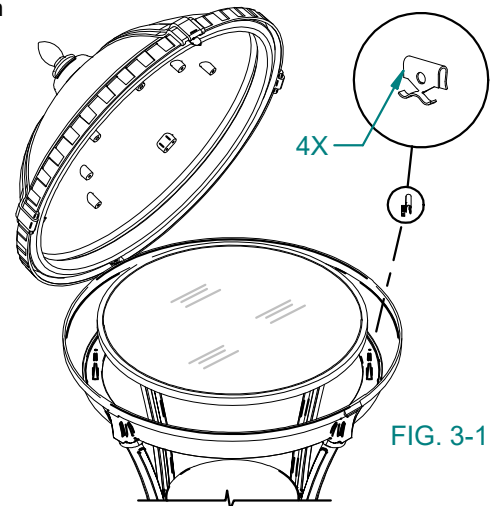
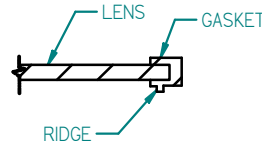
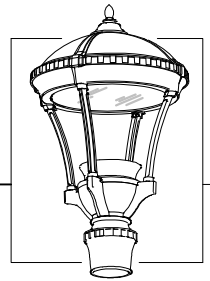


FIG. 3-1

To remove existing lens:

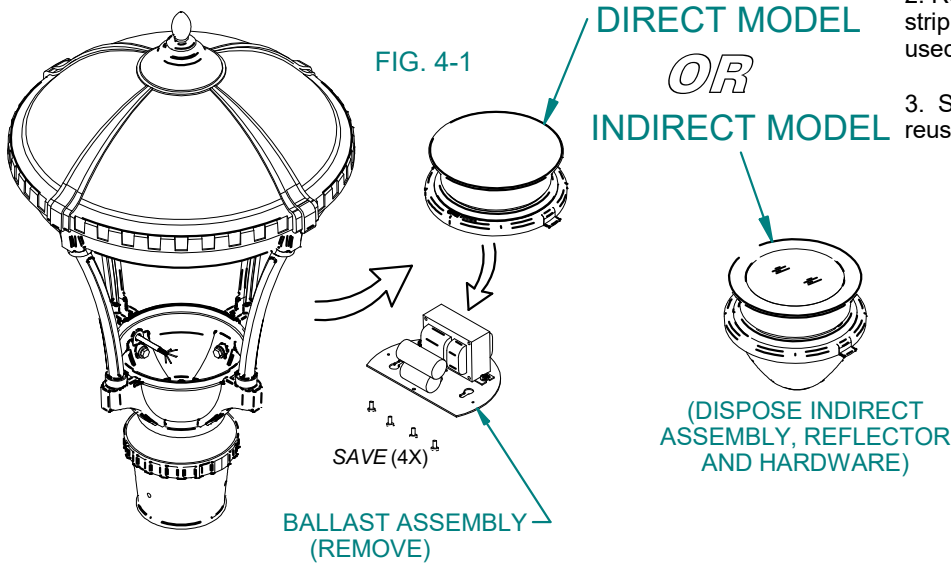
1. Using Vice-Grips, pull off three (3) of the four (4) lens clips.
2. Remove lens and gasket.
3. The fourth lens clip will then come off very easily.



MicroCore Upgrade Kit Installation Guide

Fixture: PROV - Providence Medium

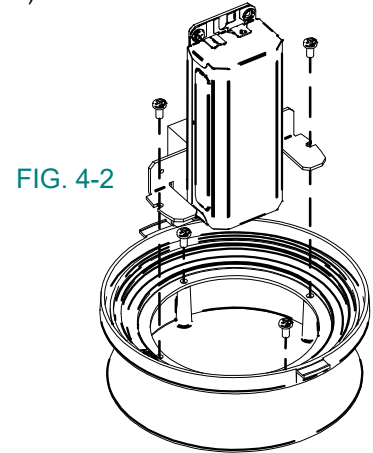
4. PREPARE DRIVER ASSEMBLY



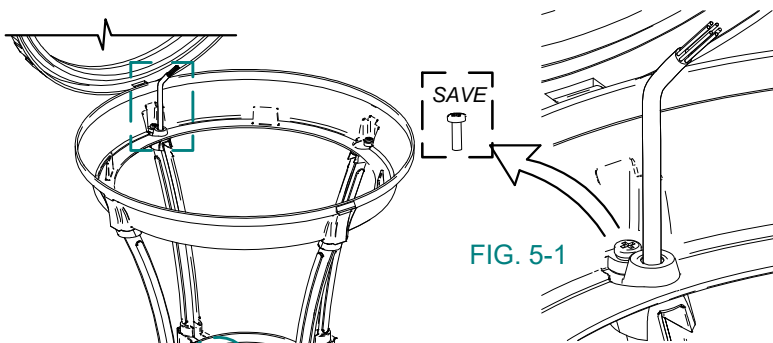
1. Remove Lower Slipfitter Cap by rotating it counter-clockwise.

2. Remove ballast assembly (applications vary). Cut and strip ground wire, leave it as long as possible as it will be used again.

3. SAVE the four (4) 10-24 x 3/8" screws, they will be reused (fig. 4-1).

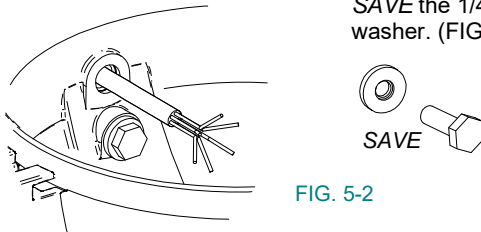


5. RETROFIT 6-CONDUCTOR CABLE TO 5-CONDUCTOR CABLE

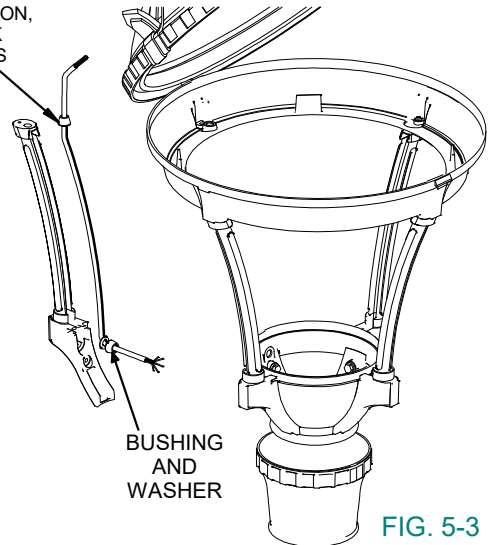


1. Locate the strut that contains the power cable. Remove and SAVE the 10-24 x 1/2" screw that secures the strut. (FIG. 5-1)

2. In the bottom section, remove and SAVE the 1/4-20 x 3/4" screw and washer. (FIG. 5-2) then remove the strut.



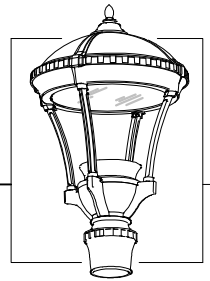
REMOVE BUSHING FOR INSTALLATION, PLACE BACK AFTERWARDS



3. Replace existing power cable and *grey or orange* silicone bushings with new 5-conductor cable and black bushings. Remove the top bushing to install the cable thru the strut hole and place it back again afterward.

4. NOTE LOCATION OF FLAT WASHER. Flat washer to be installed in the bottom of the strut.

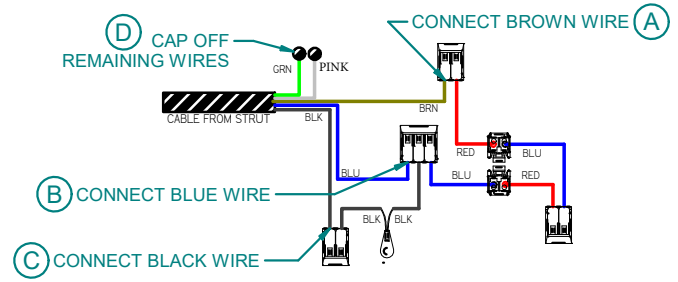
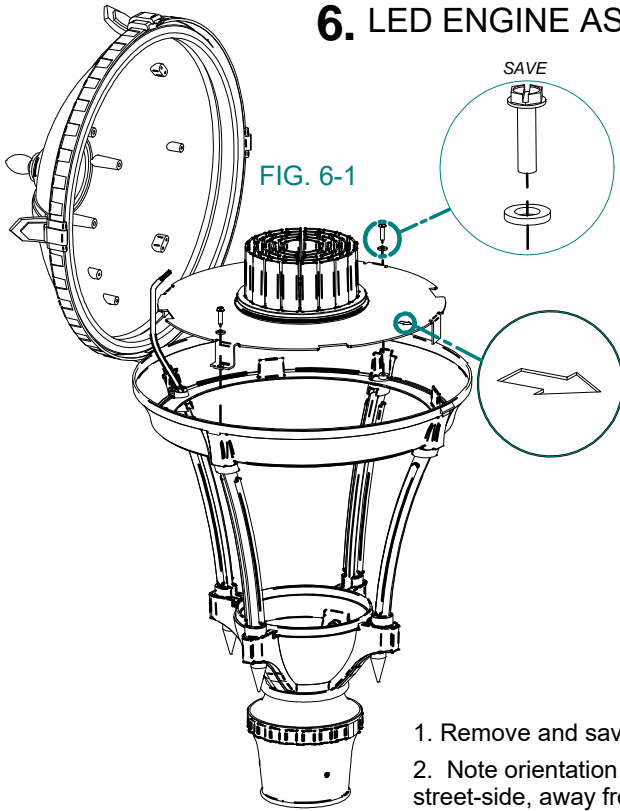
5. Re-assembly of the strut is the opposite of dis-assembly.



MicroCore Upgrade Kit Installation Guide

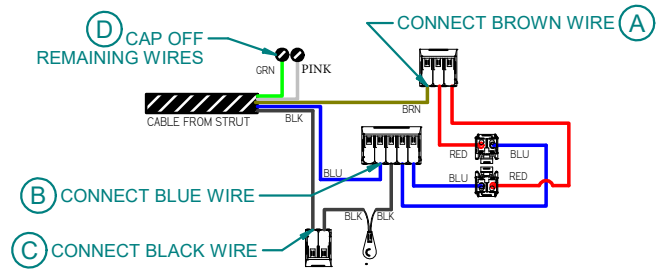
Fixture: PROV - Providence Medium

6. LED ENGINE ASSEMBLY



510 & 615 mA WIRING DIAGRAM

FIG. 6-2B

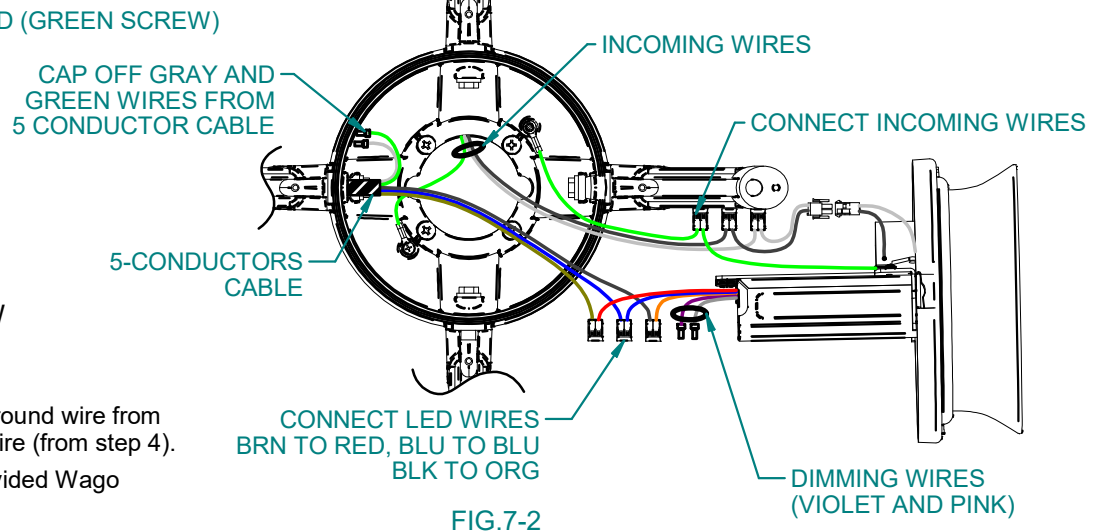
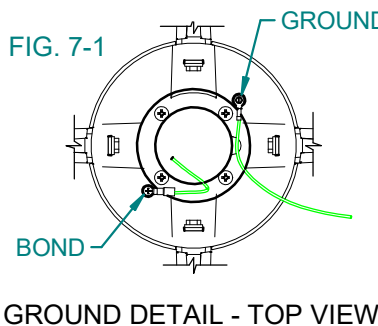


325mA WIRING DIAGRAM

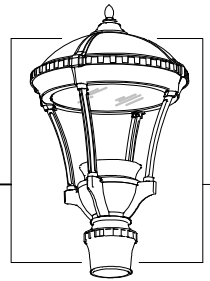
FIG. 6-2A

1. Remove and save the two (2X) strut screws that are located 90° from hinge location (FIG. 6-1).
2. Note orientation of light pattern arrow in the new light engine (FIG. 6-1). Arrow points towards street-side, away from dome hinge.
3. Install LED assembly using (2X) existing screws and washers (FIG. 6-1).
4. Connect the LED assembly to the strut cable as the wiring diagram shows, cap off remaining wires (follow the four steps).

7. DRIVER ASSEMBLY



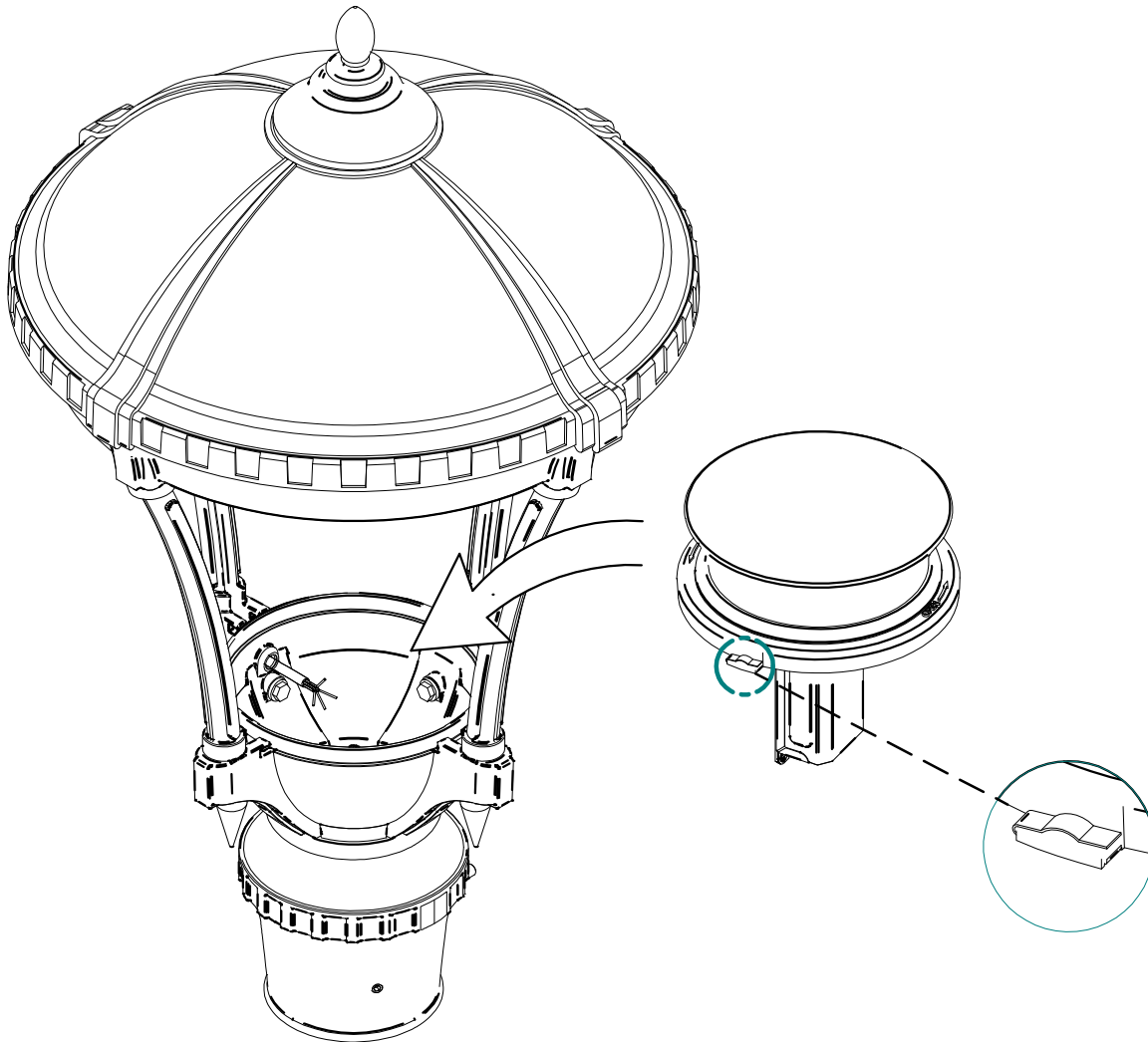
5. See FIG 7-1 and 7-2. Connect ground wire from driver assembly to existing ground wire (from step 4).
6. Connect incoming wires with provided Wago connectors FIG 7-2.
7. Connect LED wires and cap off remaining wires.



MicroCore Upgrade Kit Installation Guide

Fixture: PROV - Providence Medium

CLOSE FIXTURE



1. Lower the lid again.
2. Install Driver Assembly into slipfitter using provided spring clips.
(Driver assembly can be assembled into round slipfitter cap in any 90° orientation.)
3. Power the fixture, upgrade is complete.