

72 LED Upgrade Kit Installation Guide

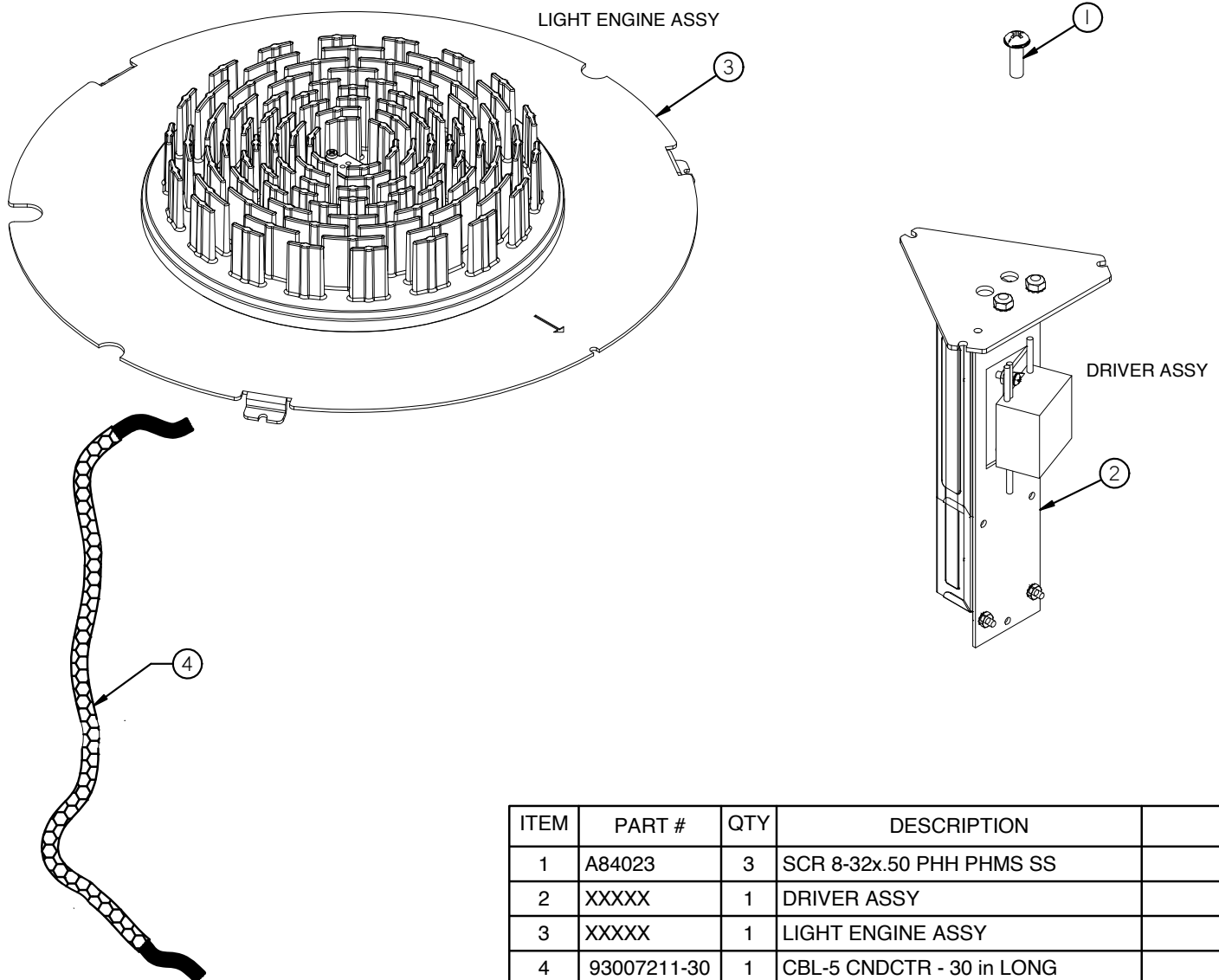
Fixture: PRMD - Promenade 72 LED



WARNING: Fixtures must be grounded in accordance with local codes or the National Electrical Code. Failure to do so may result in serious personal injury.

MAINTENANCE: A regularly scheduled maintenance program should be established to retain optimum light output and reduce heat retention. Dusting with a soft, clean, dry cloth is normally sufficient for the optics.

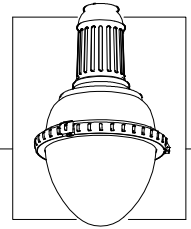
CAUTION: All wiring must be done by a qualified electrician. KEEP THIS SHEET FOR FUTURE REFERENCE.



ITEM	PART #	QTY	DESCRIPTION
1	A84023	3	SCR 8-32x.50 PHH PHMS SS
2	XXXXX	1	DRIVER ASSY
3	XXXXX	1	LIGHT ENGINE ASSY
4	93007211-30	1	CBL-5 CNDCTR - 30 in LONG

72 LED Upgrade Kit Installation Guide

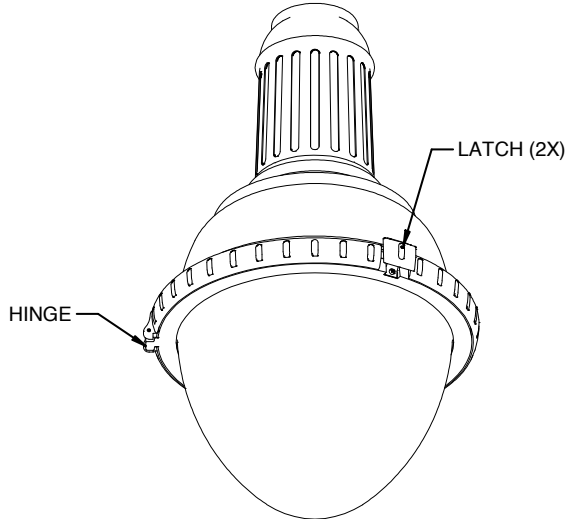
Fixture: PRMD - Promenade 72 LED



1. SAFETY PRECAUTIONS AND FIXTURE ACCESS



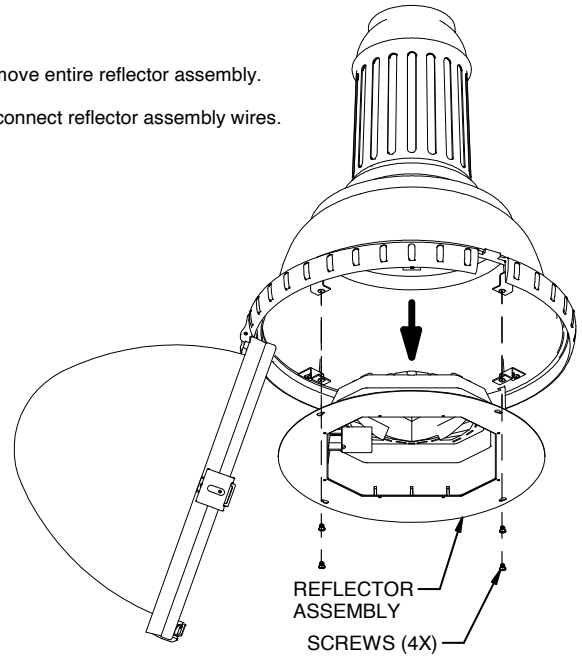
1. Turn off power to the unit and take all proper safety precautions.
2. Open both latches and carefully pull lens ring down so it hangs on the hinge.



2. REFLECTOR ASSEMBLY AND HARDWARE REMOVAL

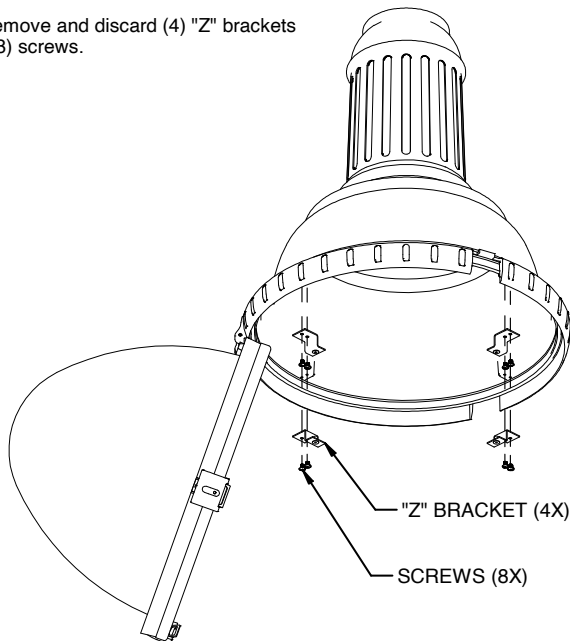
(APPLICATIONS VARY, GENERIC EXAMPLE SHOWN)

1. Remove entire reflector assembly.
2. Disconnect reflector assembly wires.



3. BRACKET AND HARDWARE REMOVAL

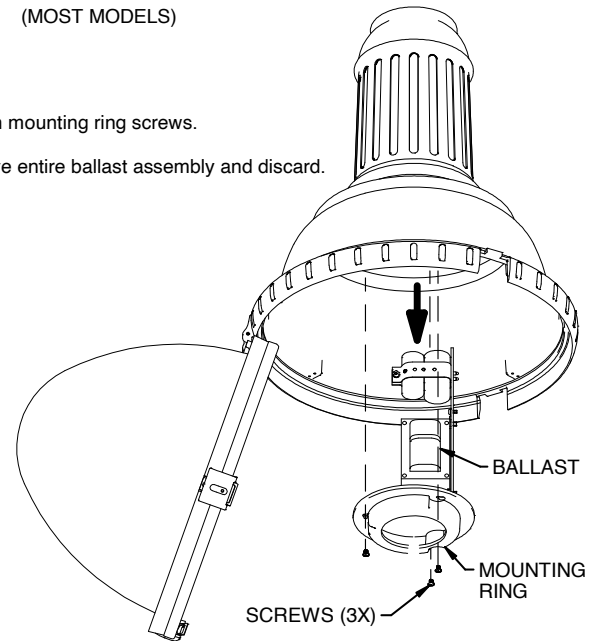
1. Remove and discard (4) "Z" brackets and (8) screws.

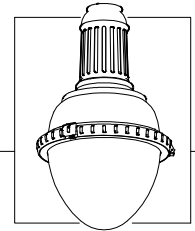


4. BALLAST ASSEMBLY AND HARDWARE REMOVAL

(MOST MODELS)

1. Loosen mounting ring screws.
2. Remove entire ballast assembly and discard.





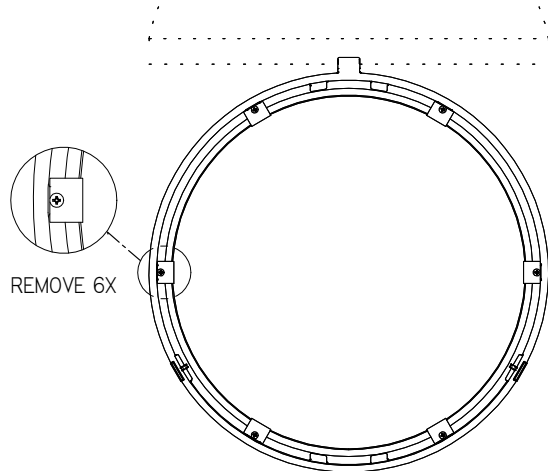
72 LED Upgrade Kit Installation Guide

Fixture: PRMD - Promenade 72 LED

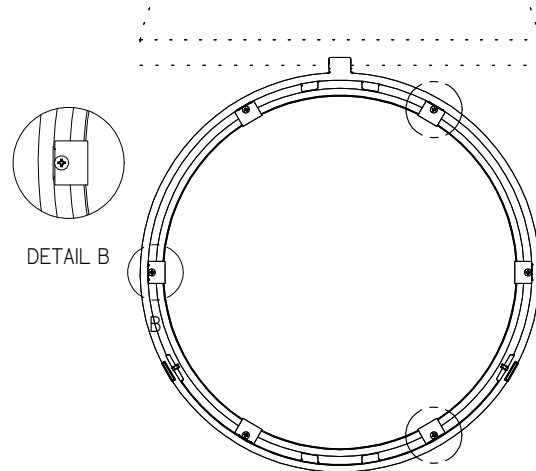
5. LENS CHANGE OR REMOVAL (OPTIONAL)

1. To increase performance, it is possible to remove the lens at the time of upgrade.

(Views are looking directly at dropped lens frame)



To change or remove lens completely, remove all six (6) screws and lens retaining clips.

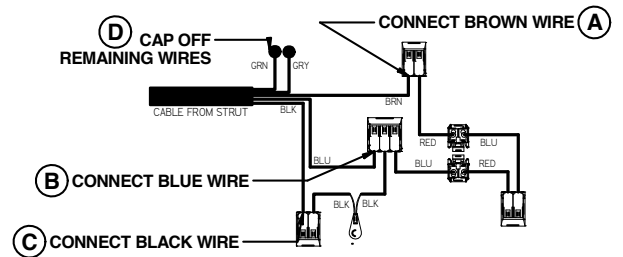
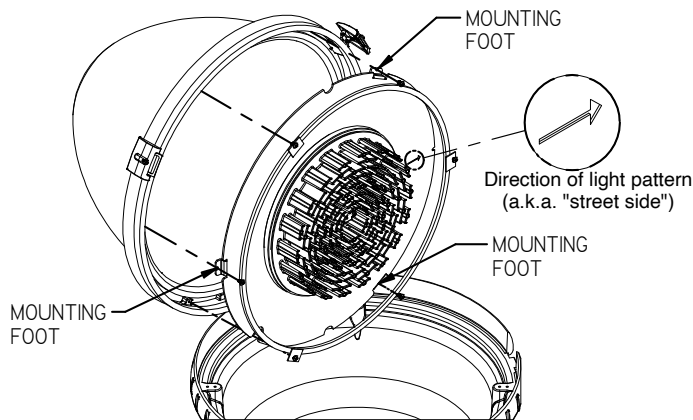


In all other cases, remove lens clips in these three (3) locations. The supplied (3x) 1/2" screws will be used for installation of the light engine.

6. INSTALLATION OF LED LIGHT ENGINE

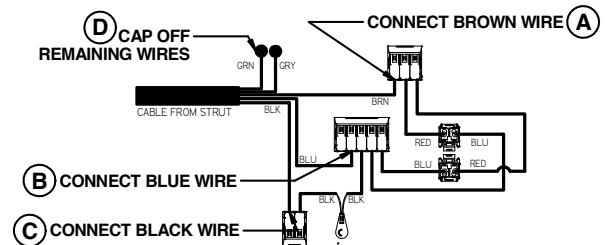
1. Note direction of light pattern with arrow on deck.

2. Install LED Light Engine directly to the lens frame with the supplied 0.50" screws.



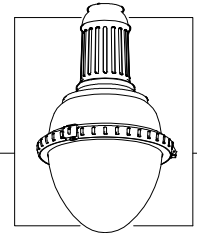
500 & 700 mA WIRING DIAGRAM

FIG. 6-2B



225, 335 & 345mA WIRING DIAGRAM

FIG. 6-2A

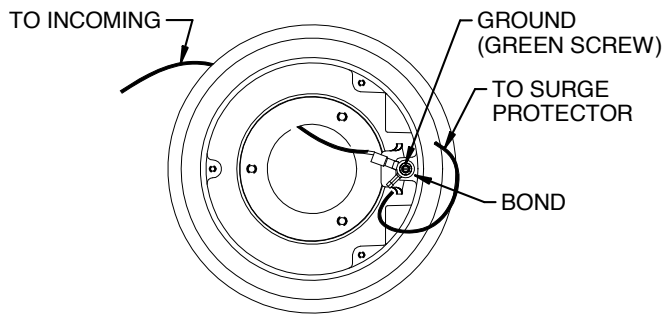


72 LED Upgrade Kit Installation Guide

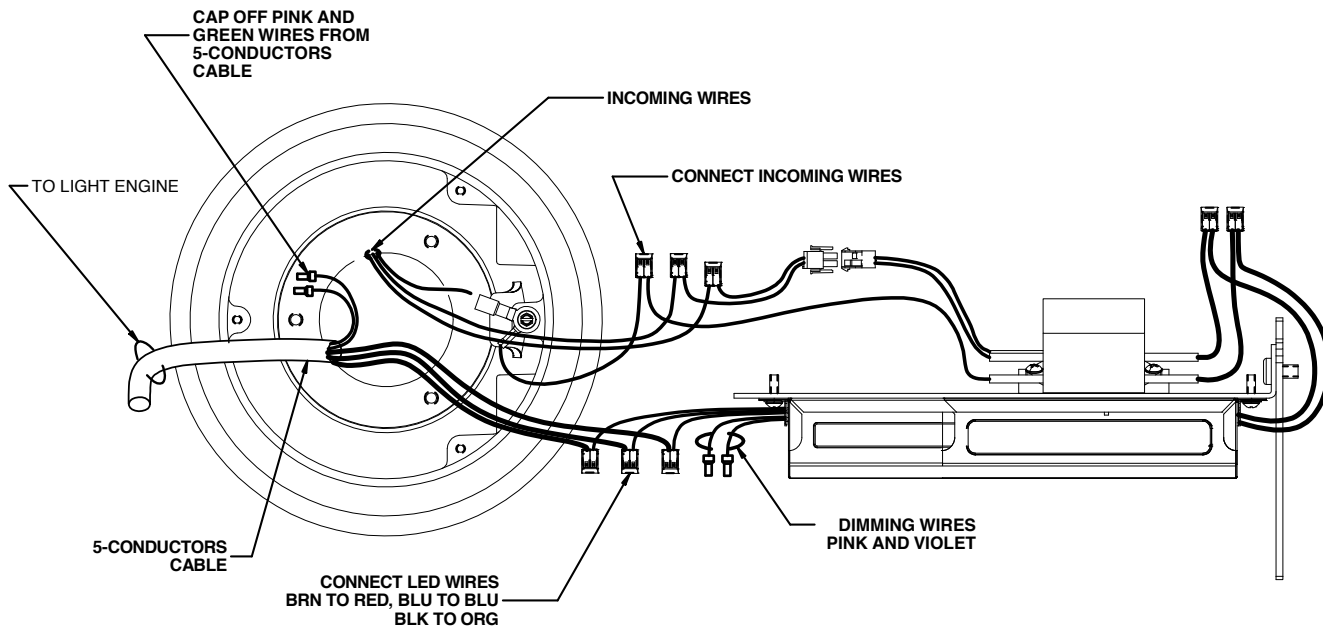
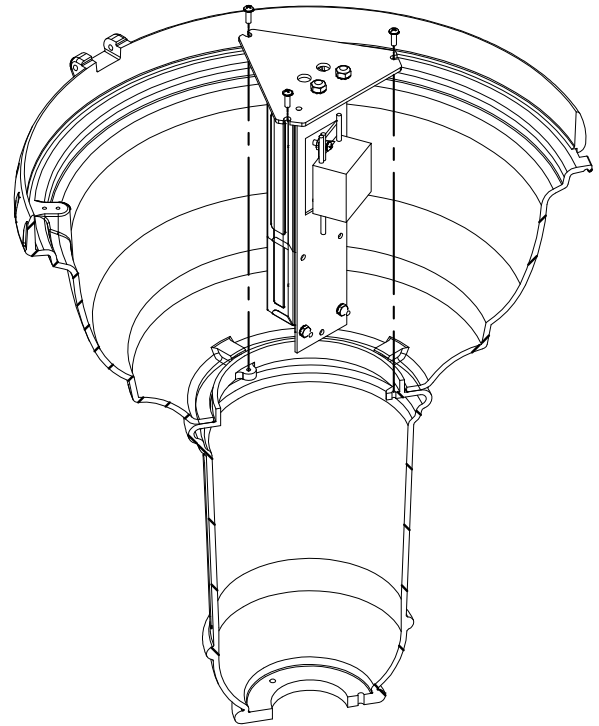
Fixture: PRMD - Promenade 72 LED

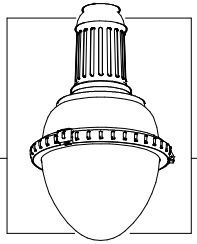
7. CONNECT WIRES TO INCOMING POWER

1. Power leads are standard Black, White, and Green. See below for details.
2. Occupancy Sensor (optional) will be pre-wired into the LED assembly and no additional wiring is required.



GROUND & BONDING DETAIL





72 LED Upgrade Kit Installation Guide

Fixture: PRMD - Promenade 72 LED

8. COMPLETING INSTALLATION

1. Close fixture and secure latches.
2. Power on.
3. Upgrade complete.

