

# 72 LED Upgrade Kit Installation Guide

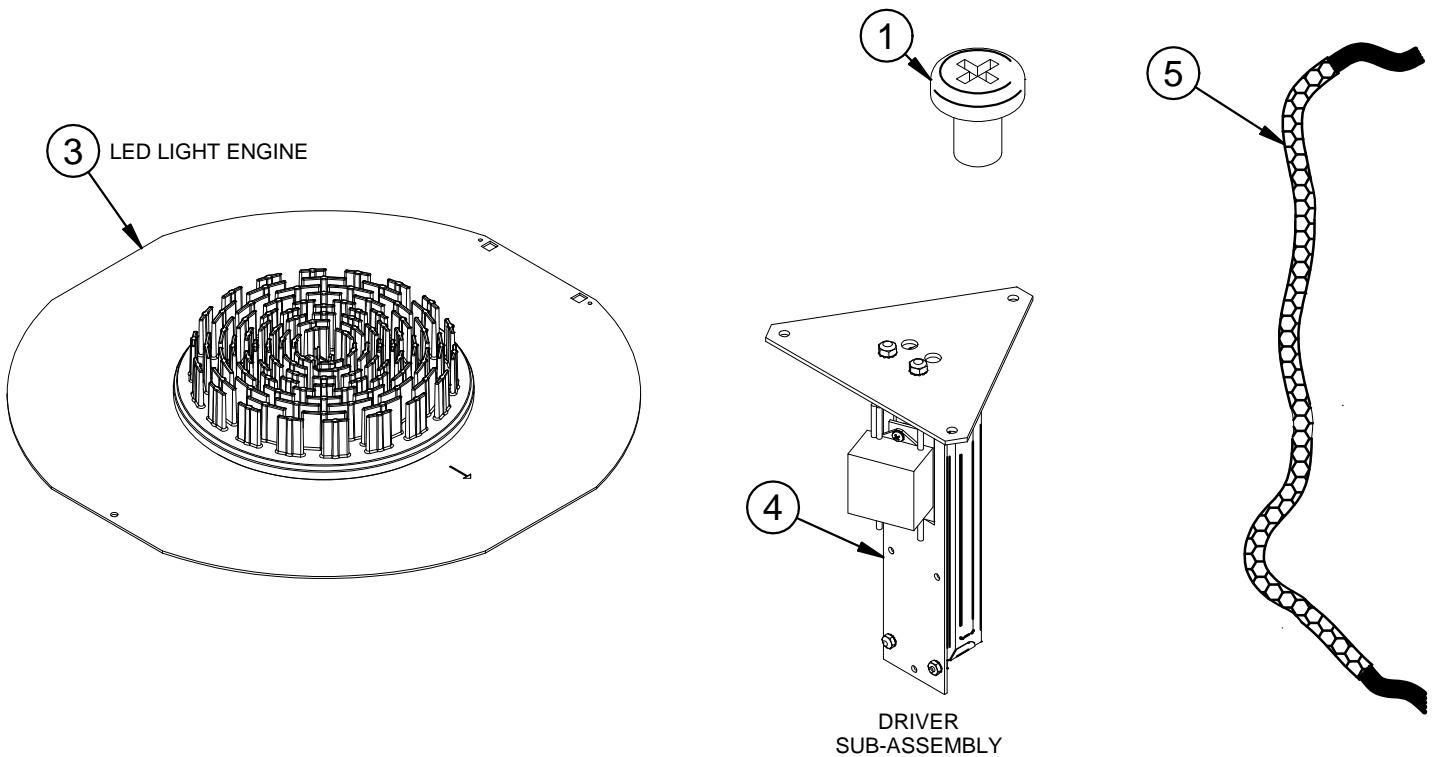
Fixture: PRM2 - Promenade 72LED



**WARNING:** Fixtures must be grounded in accordance with local codes or the National Electrical Code. Failure to do so may result in serious personal injury.

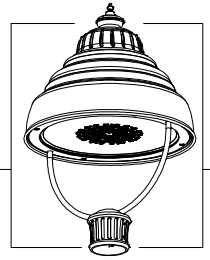
**MAINTENANCE:** A regularly scheduled maintenance program should be established to retain optimum light output and reduce heat retention. Dusting with a soft, clean, dry cloth is normally sufficient for the optics.

**CAUTION:** All wiring must be done by a qualified electrician. KEEP THIS SHEET FOR FUTURE REFERENCE.



## PARTS BAG

ITEM #	PART NO	QTY	DESCRIPTION	NOTE
1	A84134	4	1/4-20 X .38" SCREW	
2	93100776	1	INSTALLATION INSTRUCTIONS	
3	XXXXX	1	LIGHT ENGINE ASSY	
4	XXXXX	1	DRIVER ASSY	
5	93007211-24	1	CBL-5 CNDCTR - 24in LONG	

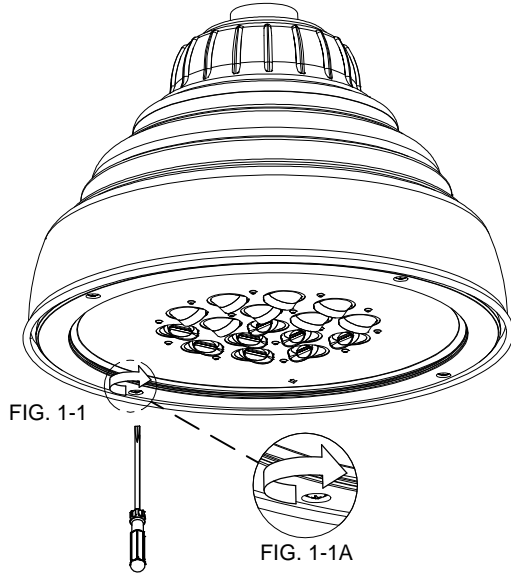


# 72 LED Upgrade Kit Installation Guide

Fixture: PRM2 - Promenade 72LED

## 1. SAFTY PRECAUTIONS AND FIXTURE ACCESS

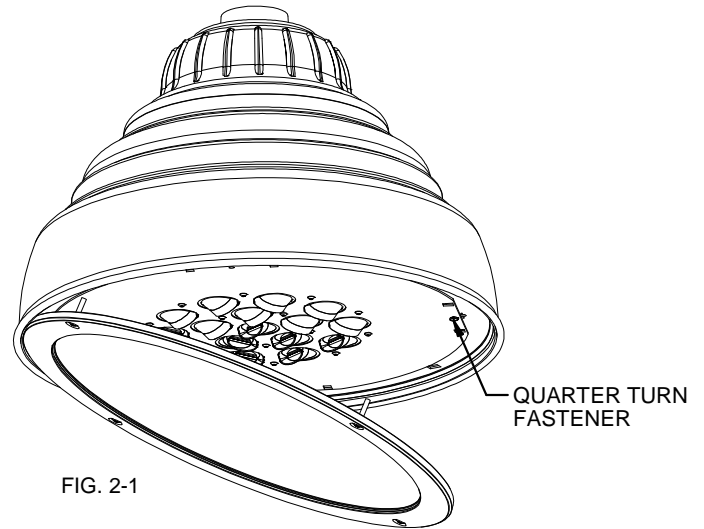
1. Turn off all power to the unit and take all proper safety precautions.
2. Open door Lens frame of the fixture assembly by undoing (4) screws located under (FIG 1.1A) and carefully swing down door lens frame open (FIG. 1-2)



## 2. MICROCORE ASSEMBLY AND HARDWARE REMOVAL

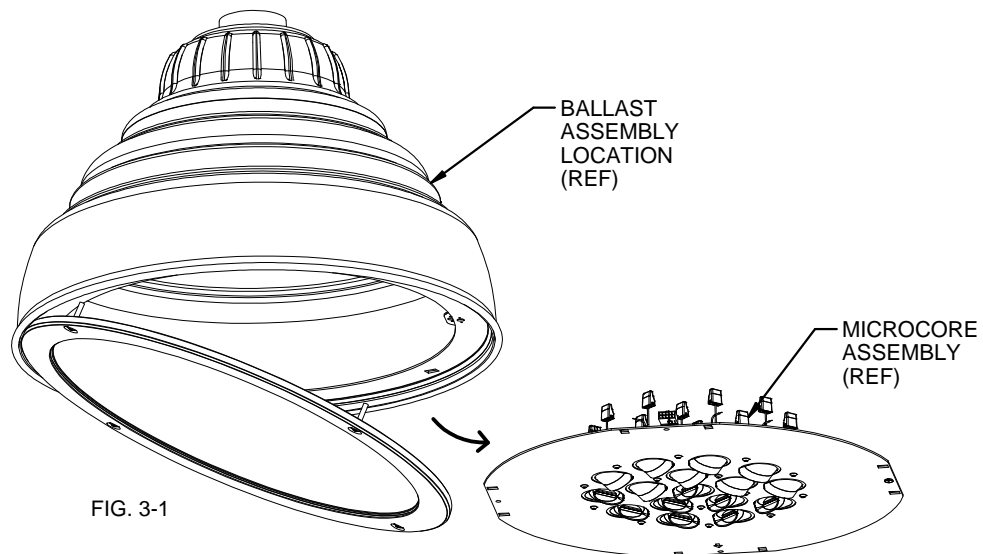
(APPLICATIONS VARY, GENERIC EXAMPLE SHOWN)

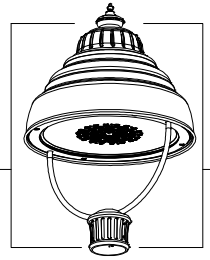
1. Remove entire microcore assembly.
2. Loosen Quarter turn fastener (FIG. 2-1) and remove existing microcore assembly. Disconnect the ballast assembly . Remove & Discard microcore and ballast assembly (FIG. 3-1)
3. Disconnect microcore assembly wires.



## 3. CUT EXISTING INCOMING POWER WIRES

1. Cut feed wires.





## 72 LED Upgrade Kit Installation Guide

Fixture: PRM2 - Promenade 72LED

### 4. BALLAST ASSEMBLY AND HARDWARE REMOVAL

(MOST MODELS)

1. Loosen mounting ring screws. Remove entire ballast assembly with wire harness and discard
2. Detach all connections to outside power but leave ground screw/wire in place.
3. Remove all ballast components from ballast assembly. (FIG. 4-1)

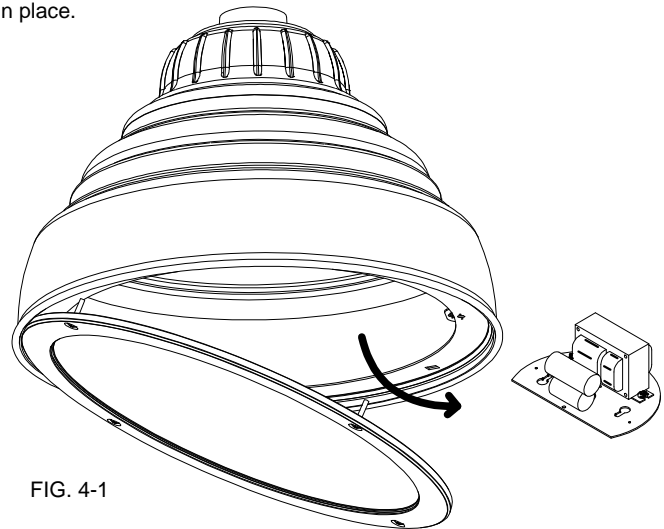


FIG. 4-1

### 5. INSTALL DRIVER ASSEMBLY

(MOST MODELS)

1. Tighten mounting ring screws. Fix entire driver assembly with wire harness and install
2. Attach all connections to outside power.
3. Install all driver components from driver assembly. (FIG. 5-1)

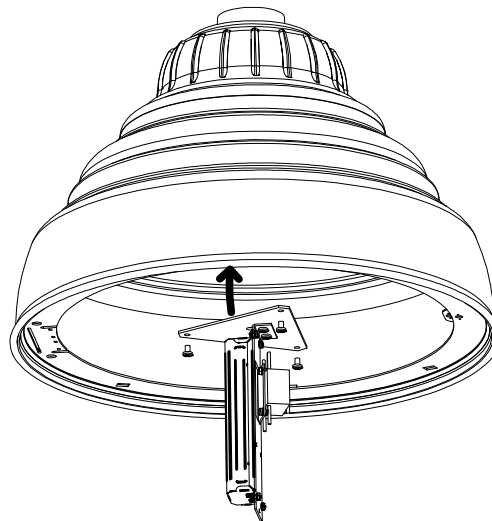
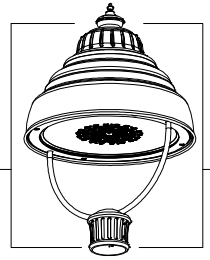


FIG. 5-1



# 72 LED Upgrade Kit Installation Guide

Fixture: PRM2 - Promenade 72LED

## 6. INSTALLATION OF LED LIGHT ENGINE

1. Note direction of light pattern with arrow on deck. (FIG. 6-1A)
2. Install LED Light Engine directly to the lens frame .

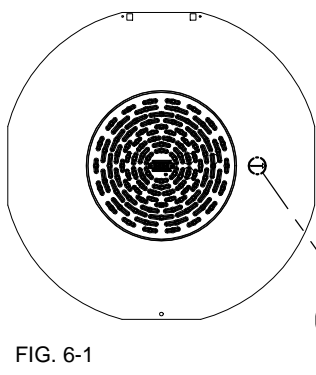
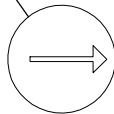


FIG. 6-1



Direction of light pattern  
(a.k.a. "street side")  
FIG. 6-1A

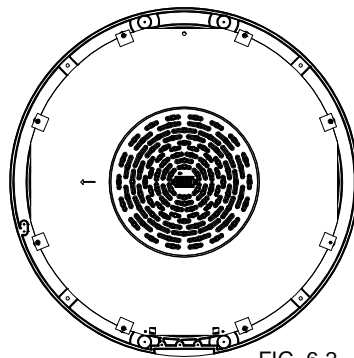
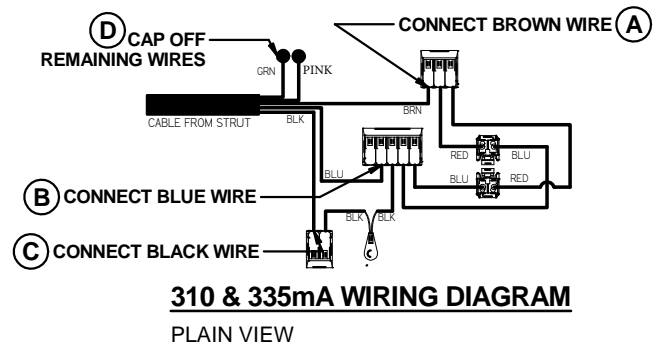
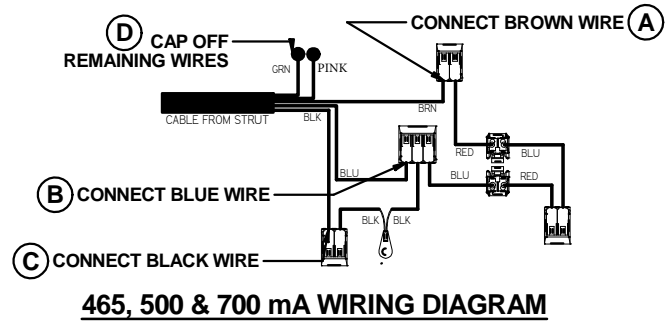


FIG. 6-2



## 7. REWIRING FIXTURE

1. Slide slot to reflector hinge and secure light engine to the fixture head with quarter turn fastener . (FIG. 7-1)
2. Attach wires to incoming power in the lower section of the fixture.
3. Tight Quarter turn fastener. (FIG. 7-2)

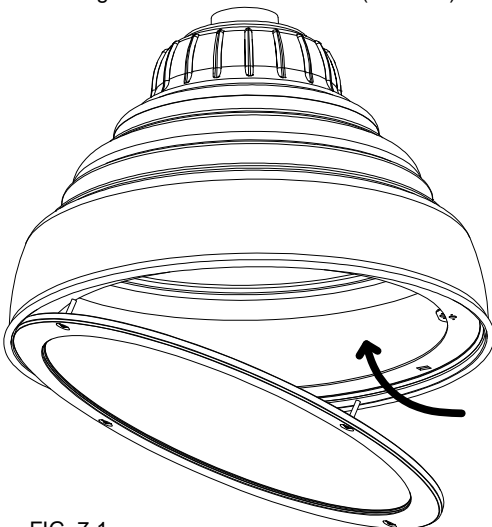


FIG. 7-1

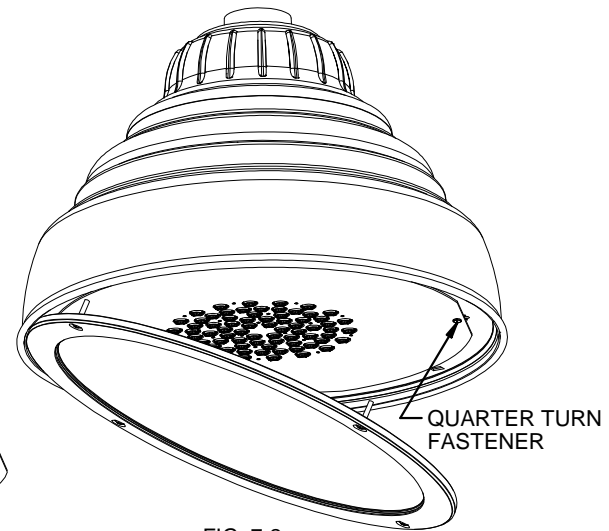
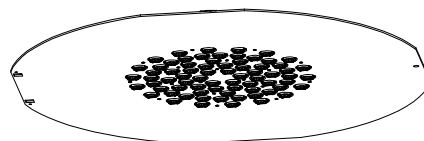
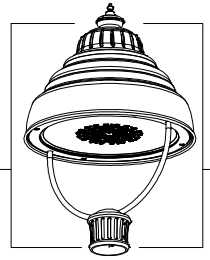


FIG. 7-2



## 72 LED Upgrade Kit Installation Guide

Fixture: PRM2 - Promenade 72LED

### 8. COMPLETING INSTALLATION.

1. Close door Lens frame of the fixture assembly by undoing (4) screws located under and carefully swing down door lens frame open (FIG. 8-1)
2. Turn power on to make sure light fixture is running properly.
3. Installation complete.

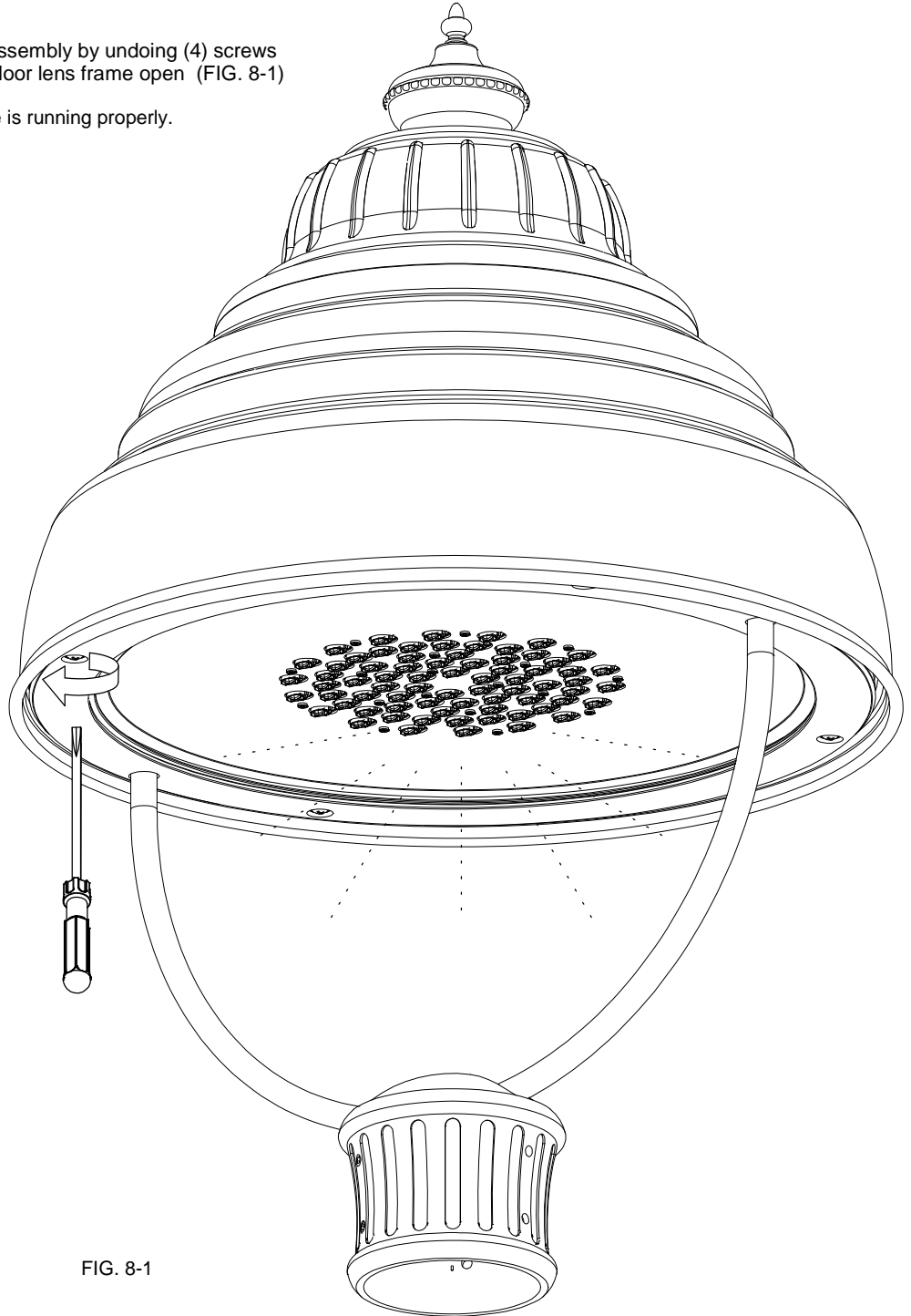


FIG. 8-1