

36 LED Upgrade Kit Installation Guide

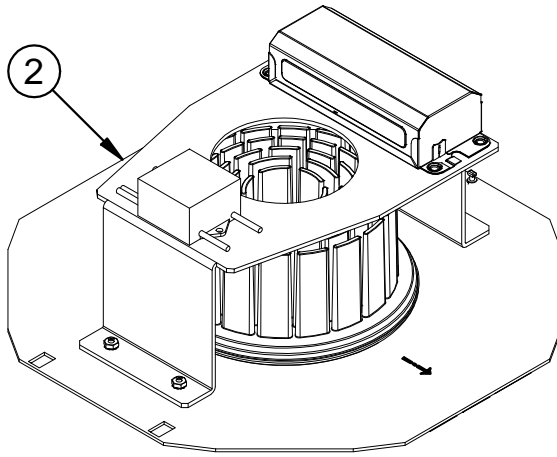
Fixture: PRM3 - Promenade 36LED



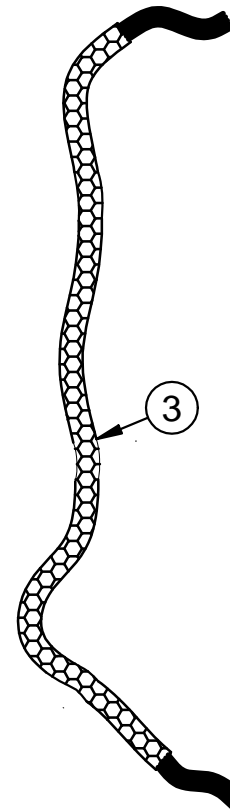
WARNING: Fixtures must be grounded in accordance with local codes or the National Electrical Code. Failure to do so may result in serious personal injury.

MAINTENANCE: A regularly scheduled maintenance program should be established to retain optimum light output and reduce heat retention. Dusting with a soft, clean, dry cloth is normally sufficient for the optics.

CAUTION: All wiring must be done by a qualified electrician. KEEP THIS SHEET FOR FUTURE REFERENCE.

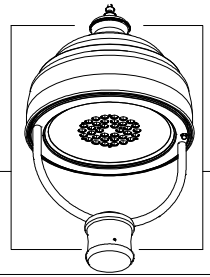


LED LIGHT ENGINE



PARTS BAG

ITEM #	PART NO	QTY	DESCRIPTION	NOTE
1	93100777	1	INSTALLATION INSTRUCTIONS	
2	XXXXX	1	LIGHT ENGINE ASSY	
3	93007211-24	1	CBL-5 CNDCTR - 24in LONG	

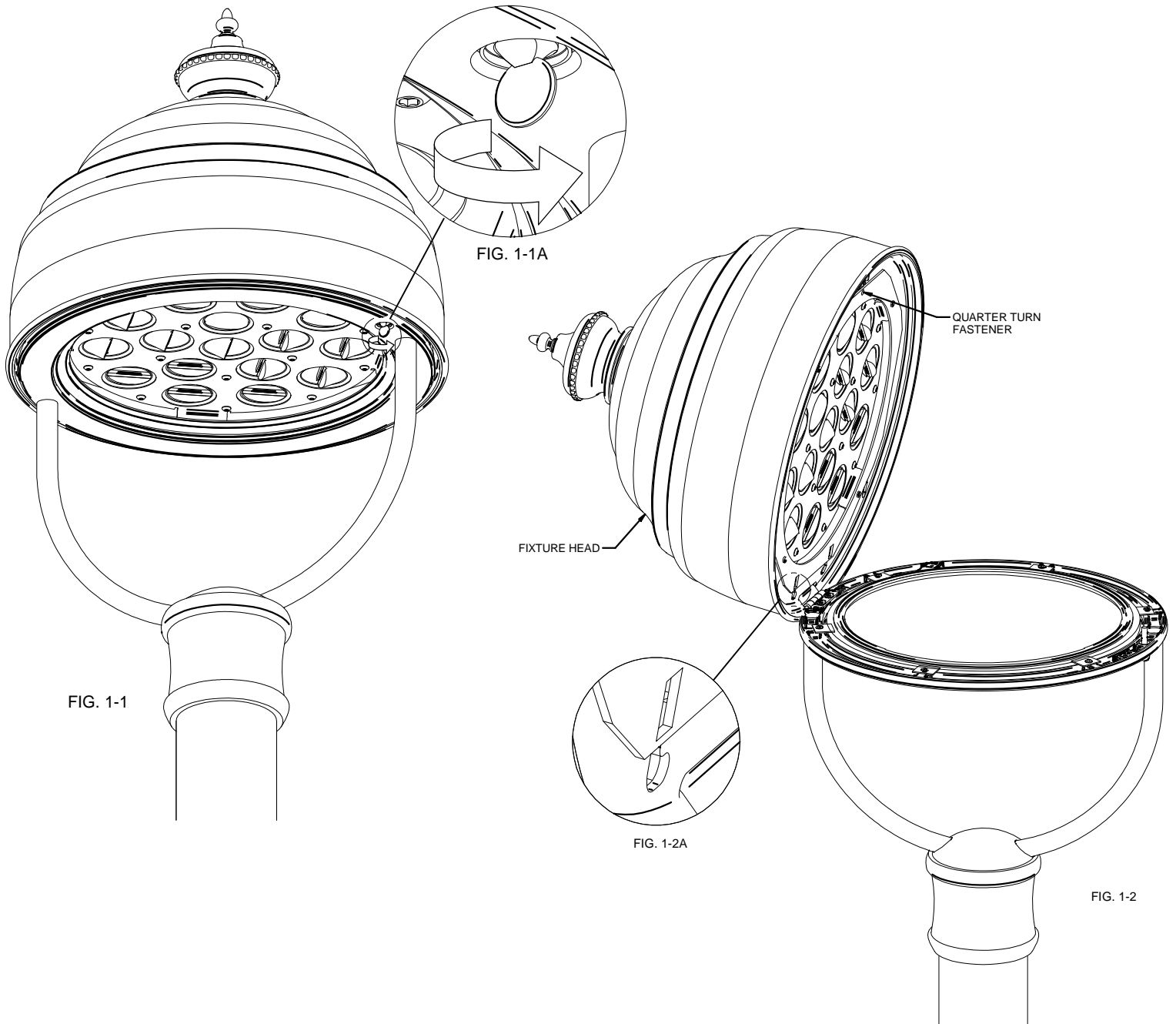


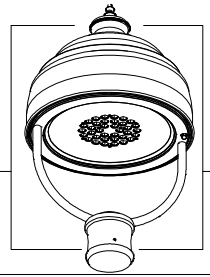
36 LED Upgrade Kit Installation Guide

Fixture: PRM3 - Promenade 36LED

1. SAFTY PRECAUTIONS AND FIXTURE ACCESS

1. Turn off all power to the unit and take all proper safety preccations.
2. Open fixture head undoing captive thumb screw located on underside of fixture (FIG. 1-1)/(FIG. 1-1A) and carefully lift fixture head open to service position. (FIG. 1-2)
3. Loosen quarter turn fastener (FIG.1-2) (FIG.1-2A) and remove existing microcore led assembly. Disconnect the ballast assembly remove & discard microcore led assembly.





36 LED Upgrade Kit Installation Guide

Fixture: PRM3 - Promenade 36LED

2. MICROCORE LIGHT ENGINE AND BALLAST ASM REMOVAL

1. Cut feed wires.
2. Loosen mounting ring screws. Remove entire ballast assembly with wire harness and discard.
3. Remove all ballast components from ballast assembly. (FIG. 2-2)

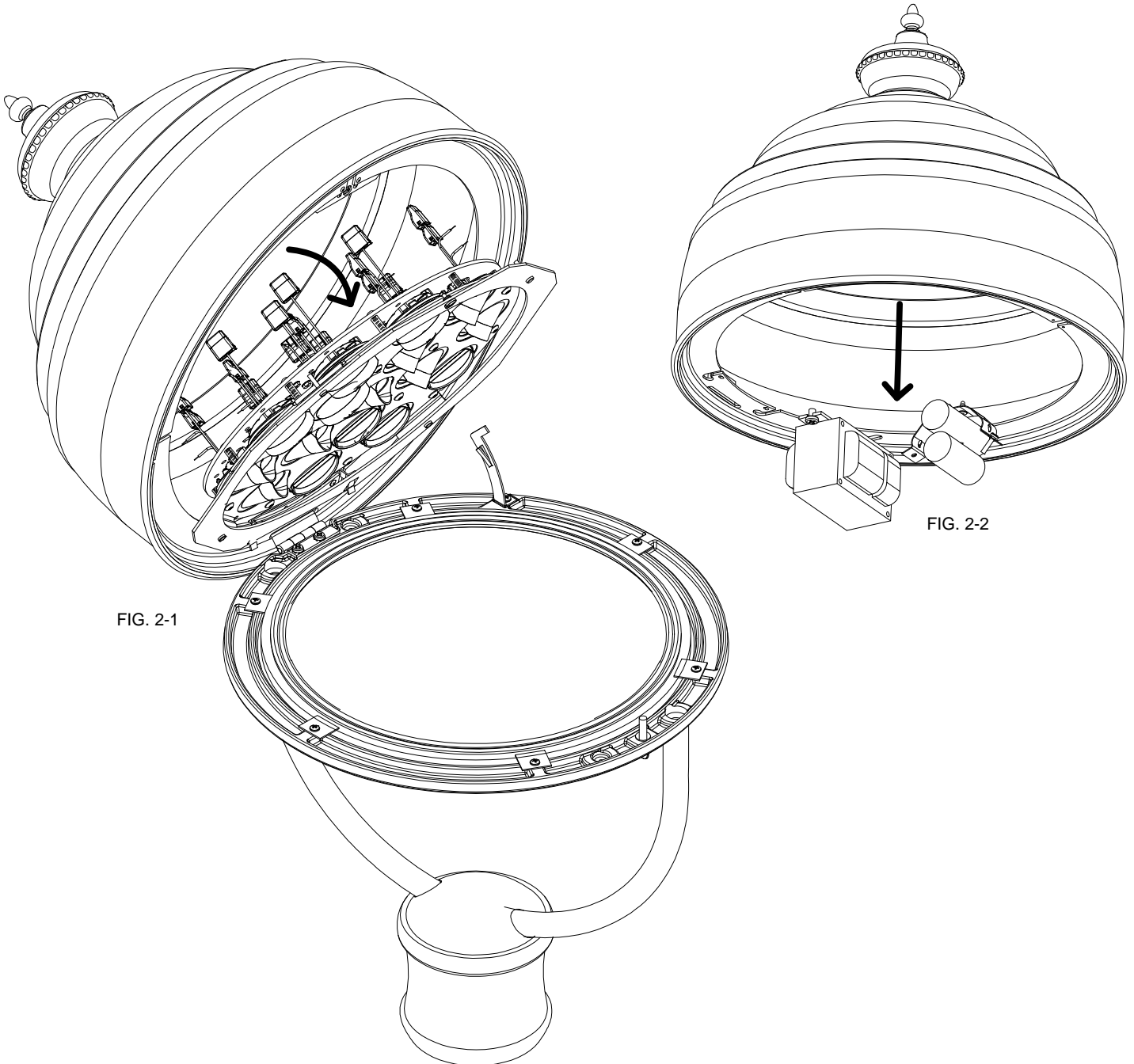
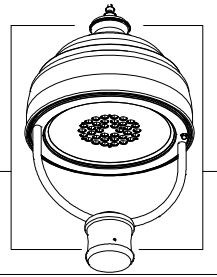


FIG. 2-1

FIG. 2-2



36 LED Upgrade Kit Installation Guide

Fixture: PRM3 - Promenade 36LED

3. INSTALL DRIVER ASSEMBLY

(MOST MODELS)

1. Attach all connections to outside power.(FIG. 3-1)

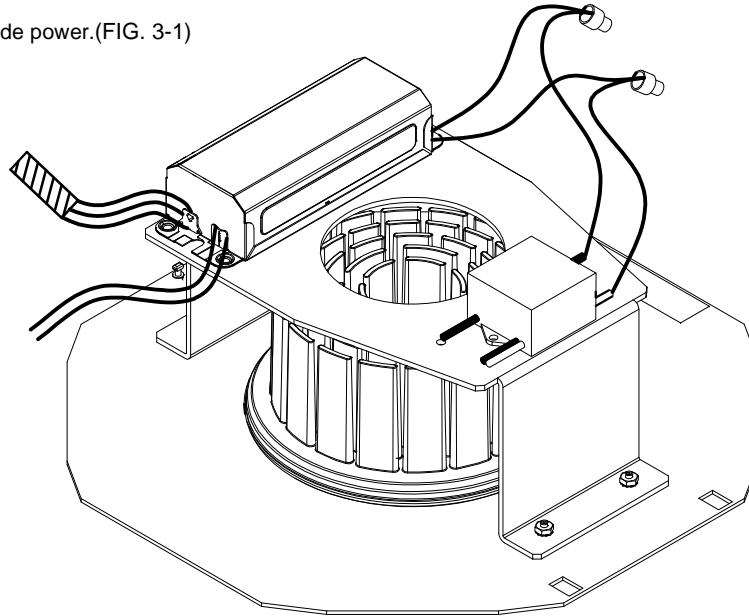


FIG. 3-1

4. INSTALLATION OF LED LIGHT ENGINE

1. Note direction of light pattern with arrow on deck. (FIG. 4-1A)
2. Install LED Light Engine directly to the lens frame .

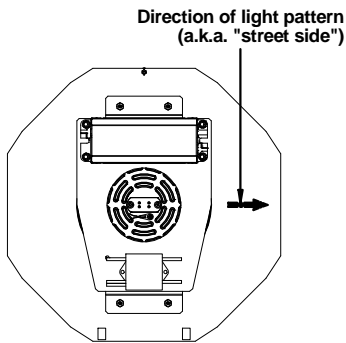


FIG. 4-1A

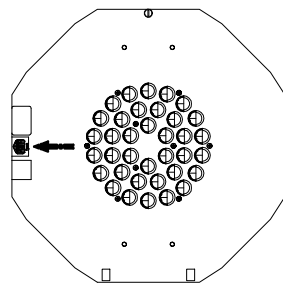
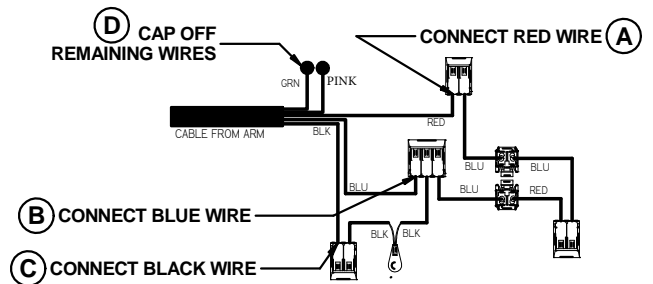
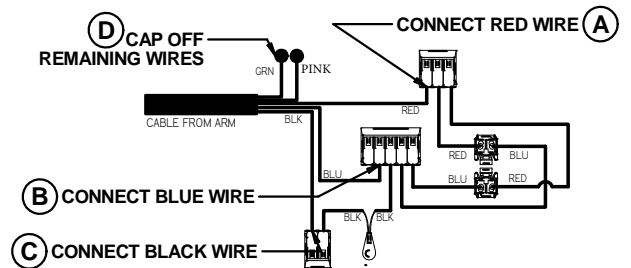


FIG. 4-2

FIG. 4-1

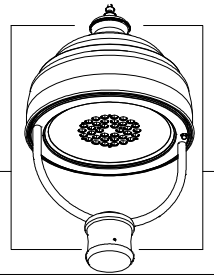


450 mA, 470 mA & 615 mA WIRING DIAGRAM



285mA WIRING DIAGRAM

PLAIN VIEW



36 LED Upgrade Kit Installation Guide

Fixture: PRM3 - Promenade 36LED

5. REWIRING FIXTURE

1. Slide slot to reflector hinge and secure light engine to the fixture head with quarter turn fastener . (FIG. 5-1)
2. Attach wires to incoming power in the lower section of the fixture.
3. Tight Quarter turn fastener. (FIG. 5-2)

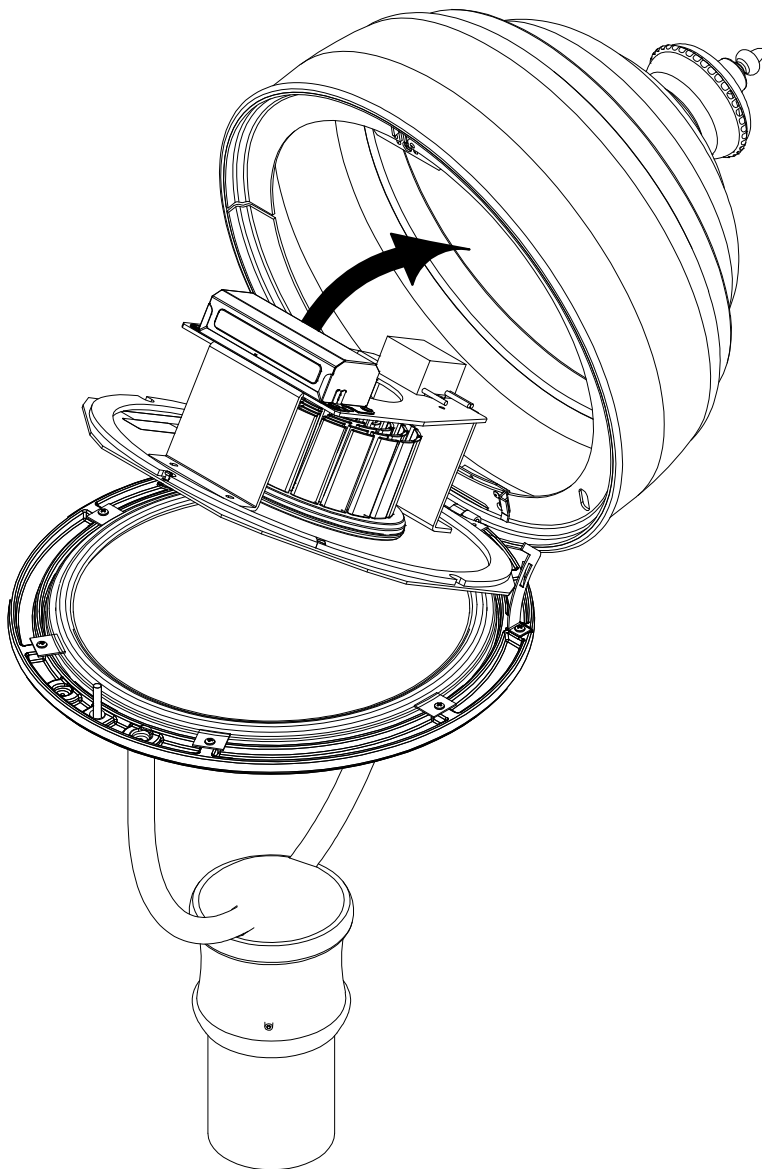


FIG. 5-1

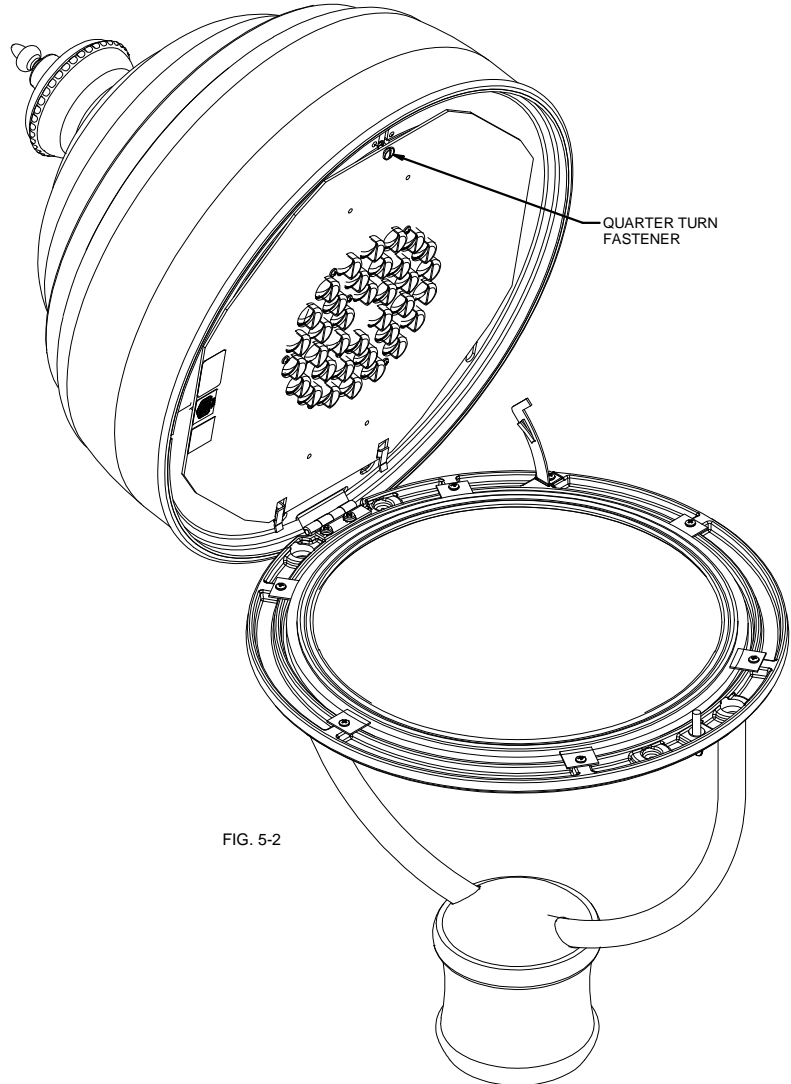
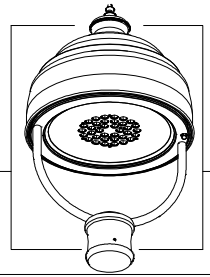


FIG. 5-2



36 LED Upgrade Kit Installation Guide

Fixture: PRM3 - Promenade 36LED

6. COMPLETING INSTALLATION

1. Close fixture head undoing captive thumb screw located on underside of fixture (FIG. 6-1)/(FIG. 6-1A).
2. Turn power on to make sure light fixture is running properly.
3. Installation complete.

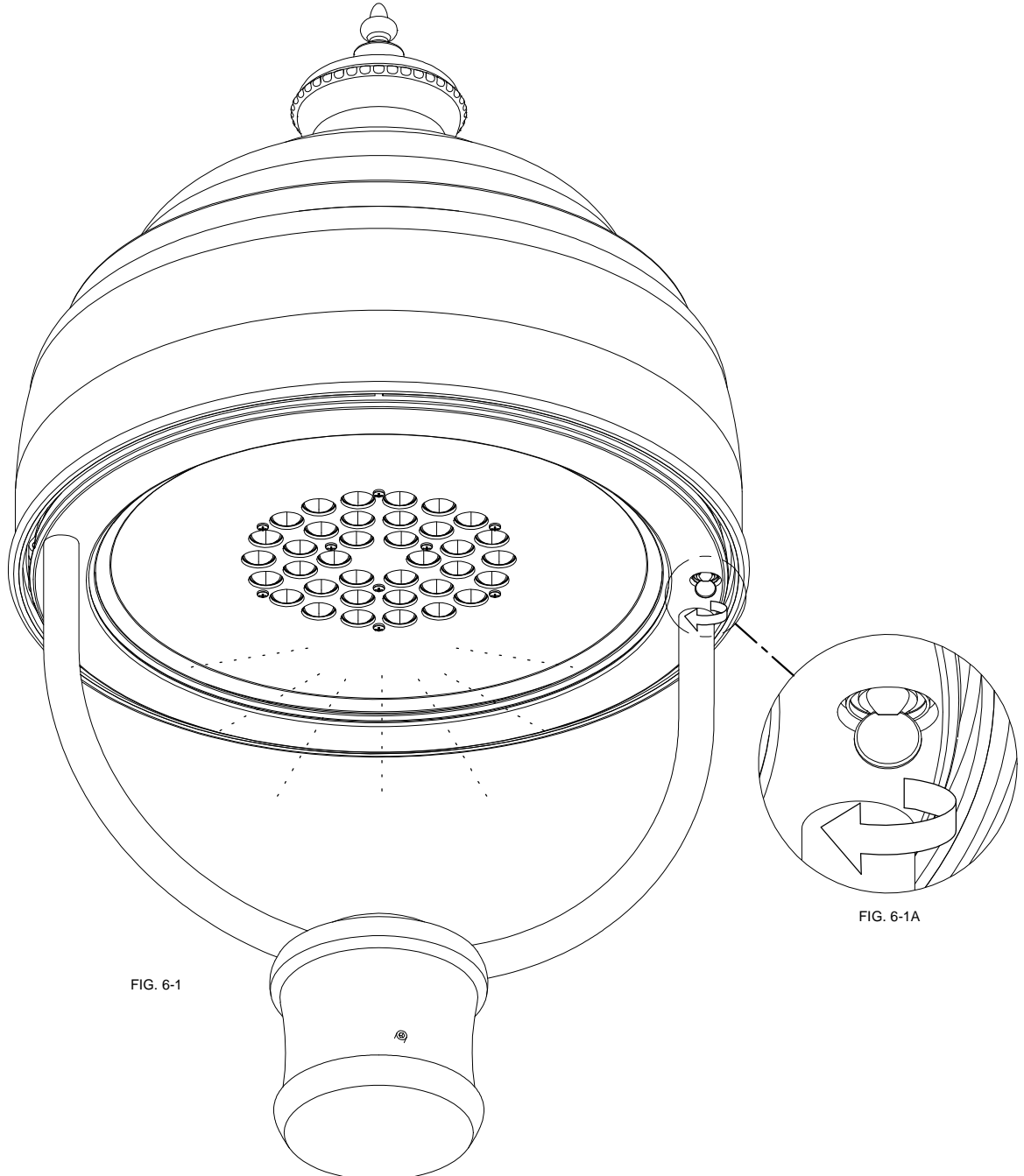


FIG. 6-1

FIG. 6-1A