



SIDE MOUNTED LUMINAIRES INSTALLATION INSTRUCTIONS



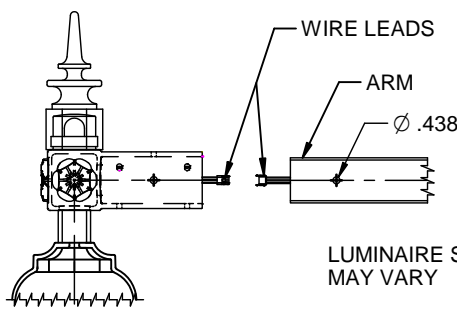
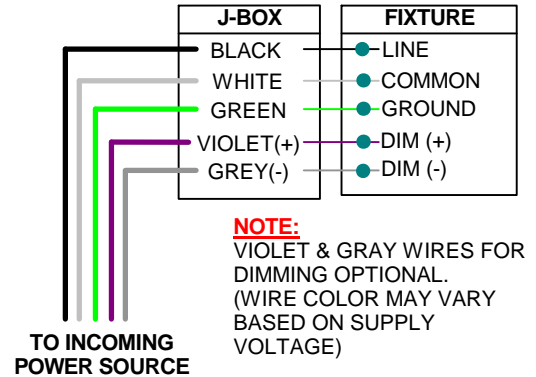
WARNING! Fixtures must be grounded in accordance with local codes and the National Electrical Code. Failure to do this may result in serious personal injury.

CAUTION: All wiring must be done by a qualified electrician. KEEP THIS SHEET FOR FUTURE REFERENCE.

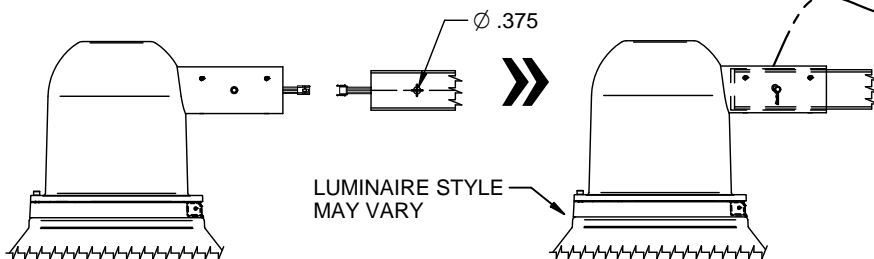
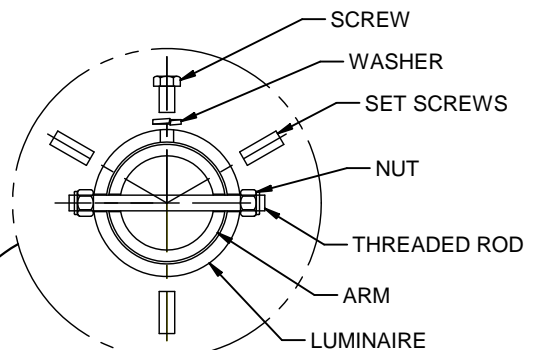
MAINTENANCE: A regularly scheduled maintenance program should be established to retain optimum light output and reduce heat retention. Dusting with a soft, clean, dry cloth is normally sufficient for the optics.

INSTALLATION STEPS:

1. TURN OFF ALL POWER.
 2. DRILL ϕ .438 THROUGH HOLE ON THE ARM- AS SHOWN. (ϕ .375 FOR URBAN MODELS)
 3. CONNECT FIXTURE LEADS TO FEED WIRES (VERIFY SUPPLY VOLTAGE AGAINST FIXTURE LABELING), SECURE WITH WIRE TIE OR OTHER MEANS OF STRESS RELIEF TO PREVENT DISCONNECTION.
 4. SLIDE LUMINAIRE OVER ARM. (BEST FITS OVER 2 3/8" OD ARM)
- NOTE:** INSTALLATION SHOULD NOT BE LEFT UNATTENDED UNTIL THE LUMINAIRE IS PROPERLY SECURED WITH SCREWS.
5. ALIGN THE THROUGH-HOLE IN THE ARM AND LUMINAIRE.
 6. INSERT THREADED ROD THROUGH THE ALIGNED HOLE IN LUMINAIRE AND ARM. (FOR URBAN MODEL USE CLEVIS PIN)
 7. TIGHTEN THE NUTS SECURELY IN BOTH SIDES OF ROD. (FOR URBAN MODEL, INSTALL COTTER PIN INTO END OF CLEVIS PIN)
 8. TIGHTEN TOP SCREW THAT HAS THE WASHER. (NOT PRESENT ON URBAN MODEL)
 9. TIGHTEN SET SCREWS SECURELY AND EVENLY IN AN ALTERNATING PATTERN.
 10. TURN ON POWER AND TEST FIXTURE.
 11. **INSTALLATION IS COMPLETE.**



(FOR METROPOLIS MODEL)



(FOR URBAN MODEL)

