

# Installation Guide

Fixture: PROV2 - Providence Medium Strike Optic



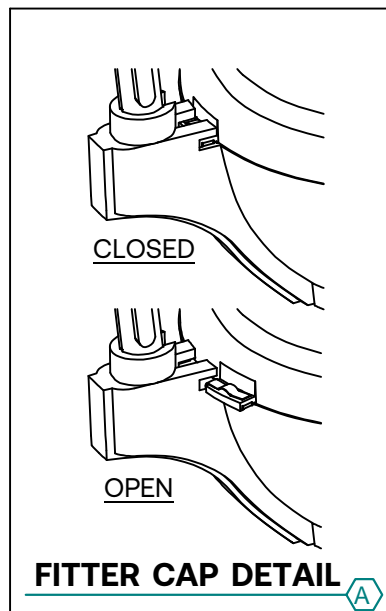
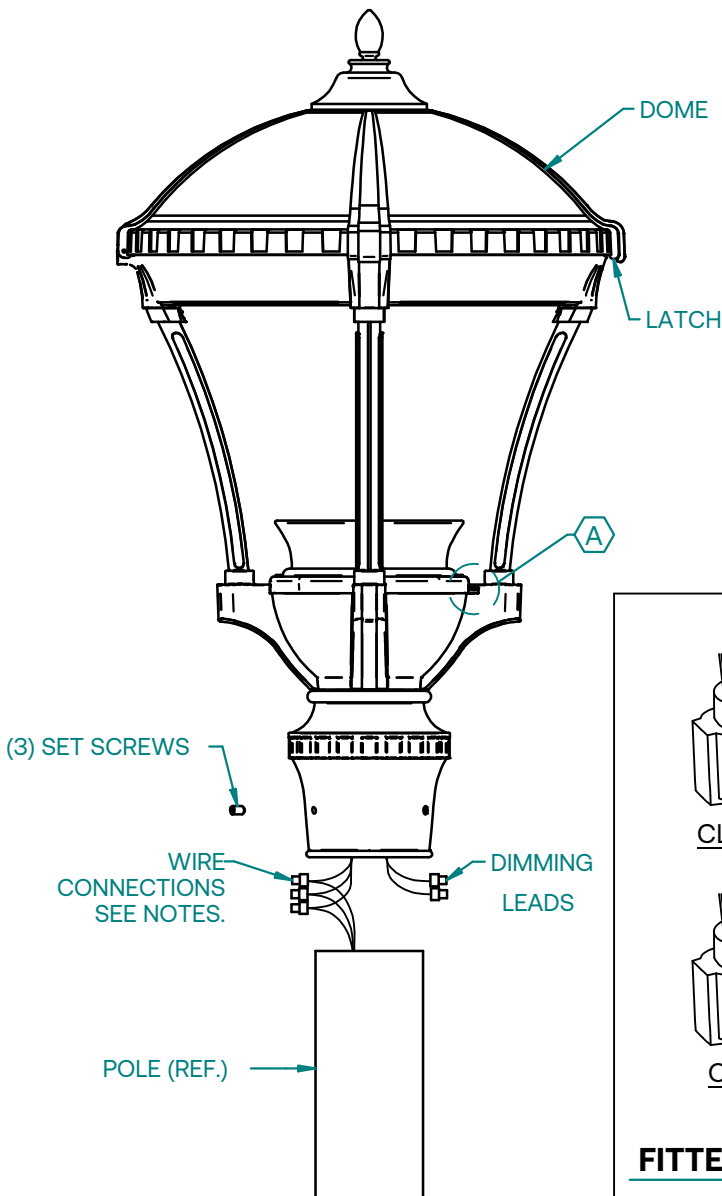
**WARNING:** Fixtures must be grounded in accordance with local codes or the National Electrical Code. Failure to do so may result in serious personal injury.

**MAINTENANCE:** A regularly scheduled maintenance program should be established to retain optimum light output and reduce heat retention. Dusting with a soft, clean, dry cloth is normally sufficient for the optics.

**CAUTION:** All wiring must be done by a qualified electrician. KEEP THIS SHEET FOR FUTURE REFERENCE.

## INSTALLATION STEPS:

1. Be sure power is OFF.
2. Make wire connections from fixture to incoming power. White to common, black to hot, and green to ground. (Wire connections by others.)
3. 0-10V Dimming leads provided as standard. (Purple & Grey wires.) Leave capped if dimming system is not in use.
4. Place fixture on top of pole. Aim fixture if necessary. Secure in place with (3) 5/16-18 set screws.
5. Open dome and be sure there is no packing material in the top of the fixture by pulling latch and raise dome up.
6. Installation Complete.



## TO SERVICE DRIVERS:

1. Be sure power is OFF.
2. Rotate fitter cap counter clockwise until free from fixture.
3. Lift fitter cap with drivers from fitter and unplug all connectors.
4. Service drivers as needed.
5. To re-assemble, Reverse procedure.
6. Service complete.