

# LCAT<sup>®</sup> Luminaire

## LED Commercial Architectural Troffer (LCAT Series)



### BEFORE YOU BEGIN

Read these instructions completely and carefully.



### WARNING/AVERTISSEMENT

#### RISK OF ELECTRIC SHOCK

- Turn power off before inspection, installation or removal.
- Properly ground electrical enclosure.

#### RISK OF FIRE

- Follow all NEC and local codes.
- Use only UL approved wire for input/output connections. Minimum size 18AWG(0.75mm<sup>2</sup>).

#### RISQUES DE DÉCHARGES ÉLECTRIQUES

- Coupez l'alimentation avant d'inspecter, installer ou déplacer le luminaire.
- Assurez-vous de correctement mettre à la terre le boîtier d'alimentation électrique.

#### RISK OF FIRE

- Respectez tous les codes NEC et codes locaux.
- N'utilisez que des fils approuvés par UL pour les entrées/sorties de connexion. Taille minimum 18AWG(0.75mm<sup>2</sup>).

## Save These Instructions

Use only in the manner intended by the manufacturer. If you have any questions, contact the manufacturer.

## Components Supplied

- Luminaire – Max. mounting height is 22-ft.

## Tools and Components Required

- Slot or Philips screwdriver
- UL Listed conduit connections per NEC/CEC for nominal conduit trade sizes 1/2" or 3/4"
- UL Listed wire connectors

## Prepare Electrical Wiring



#### Electrical Requirements

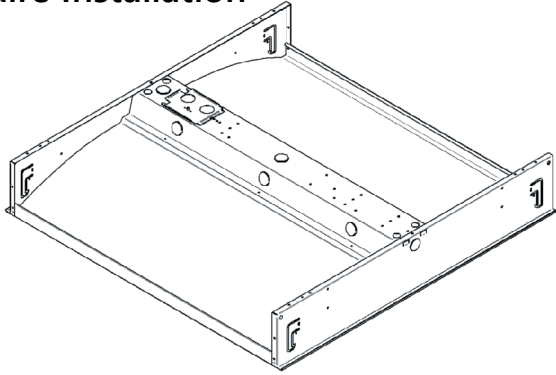
- The LED luminaire must be connected to the mains supply according to its ratings on the product label.



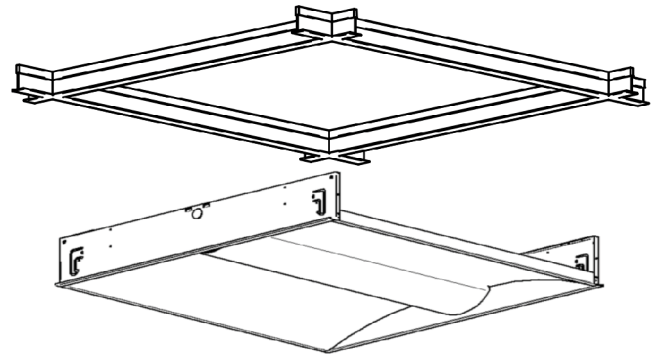
#### Grounding Instructions

- The grounding and bonding of the overall system shall be done in accordance with National Electric Code (NEC) Article 600 and local codes.

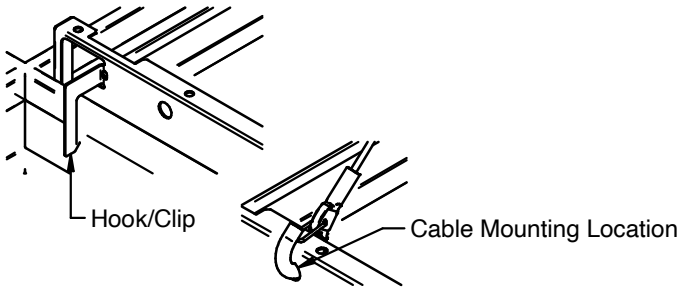
### Luminaire Installation



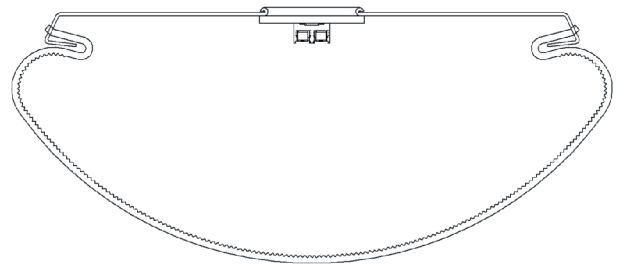
**1** Carefully unpack unit from its packaging. Properly inspect for defects before installing. Wear work gloves to prevent dirt and oil from being transferred to the luminaire.



**2** Install the unit into reserved space in the ceiling grid (recessed installation shown here).



**3** Bend the 4 clips (T-grid hooks) to secure the luminaire in place. Secure fixture to facility structure per local Building Codes. Safety cable installs through the endcap as illustrated.

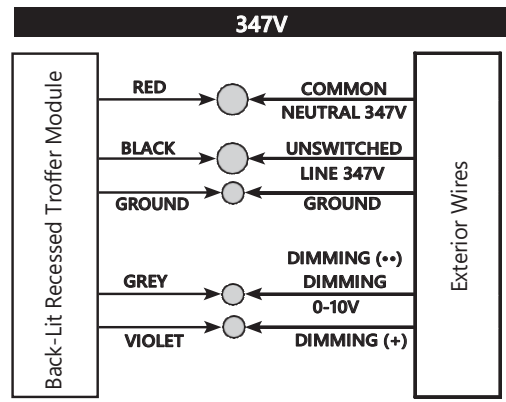
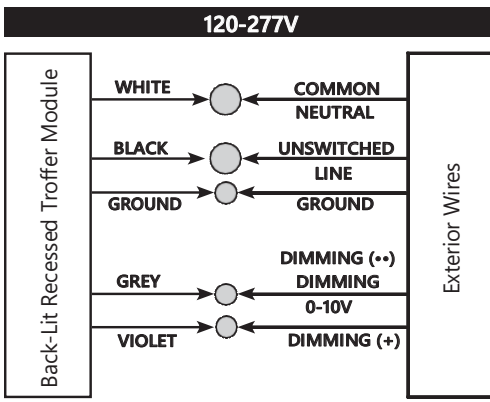


**4** Diffuser lens is installed into luminaire housing by integrated channel along the length.

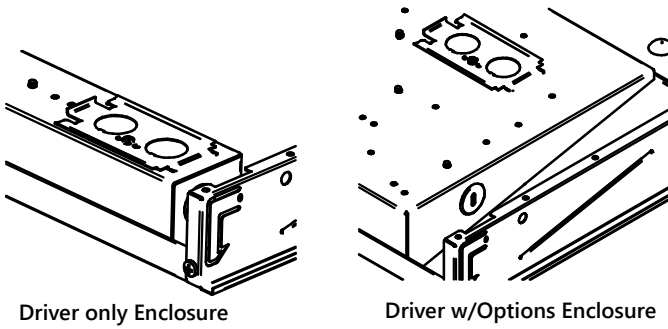
### Electrical Connections

**! WARNING/AVERTISSEMENT**

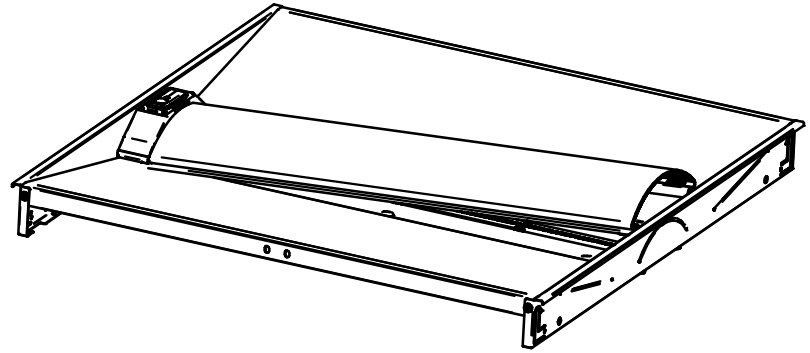
**Risk of electrical shock.** Disconnect power before servicing or installing product.  
**Risque de choc électrique.** Couper l'alimentation avant le dépannage ou avant l'installation du produit.



Fixture Wiring via Access Plate



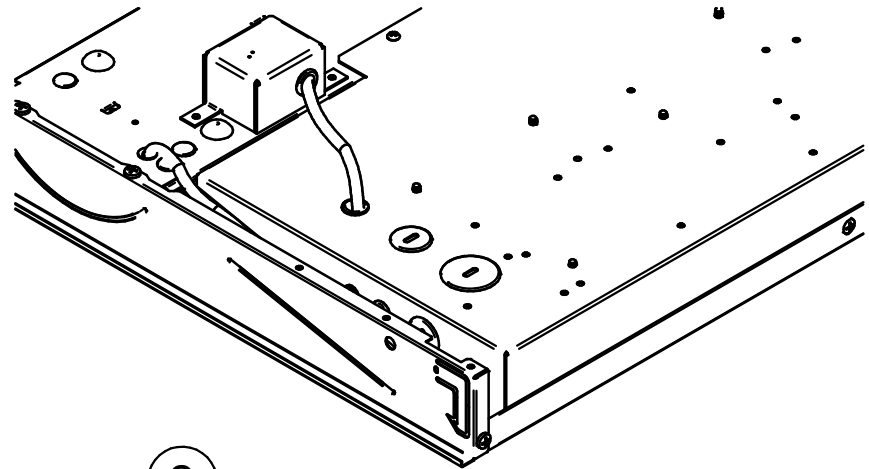
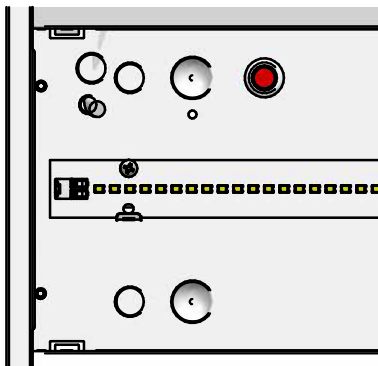
Lumen Maintenance



5 Carefully unpack unit from its packaging. Properly inspect for defects before installing. Wear work gloves to prevent dirt and oil from being transferred to the luminaire.

6 Lens can be installed into a fixture having an optional integrated sensor by first inserting end under holder, squeezing the width to snap into place against housing tabs. Ensure the lens is fully seated into place along the remaining length under housing tabs.

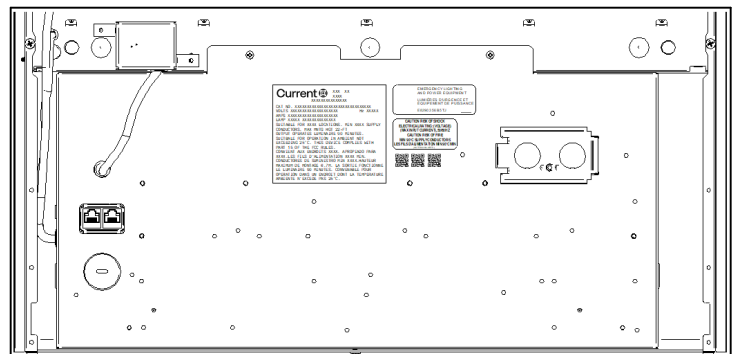
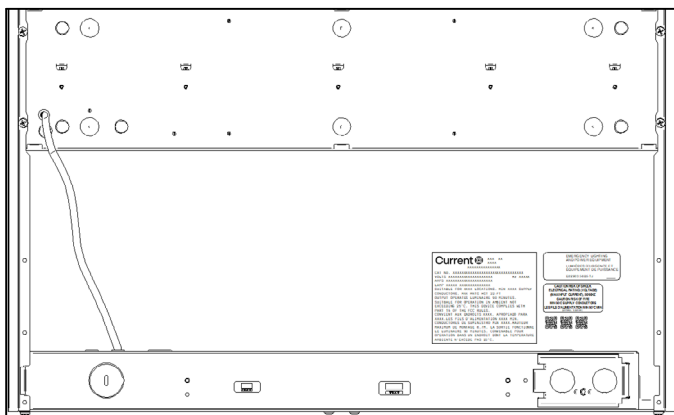
EM / Battery Option



7 EM option having integrated battery installed will have the test switch (TS) mounted onto housing and accessible as shown. Lens must be removed to test EM switch function (not applicable for surface mounting option with side mounted TS.)

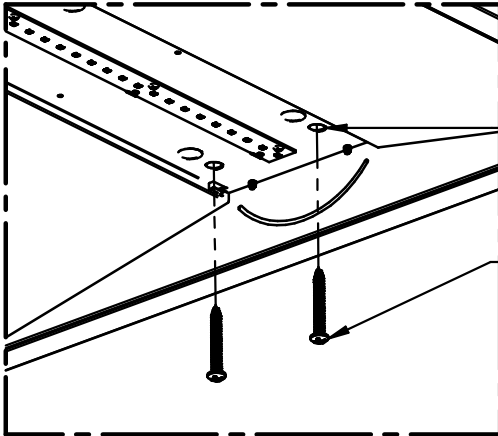
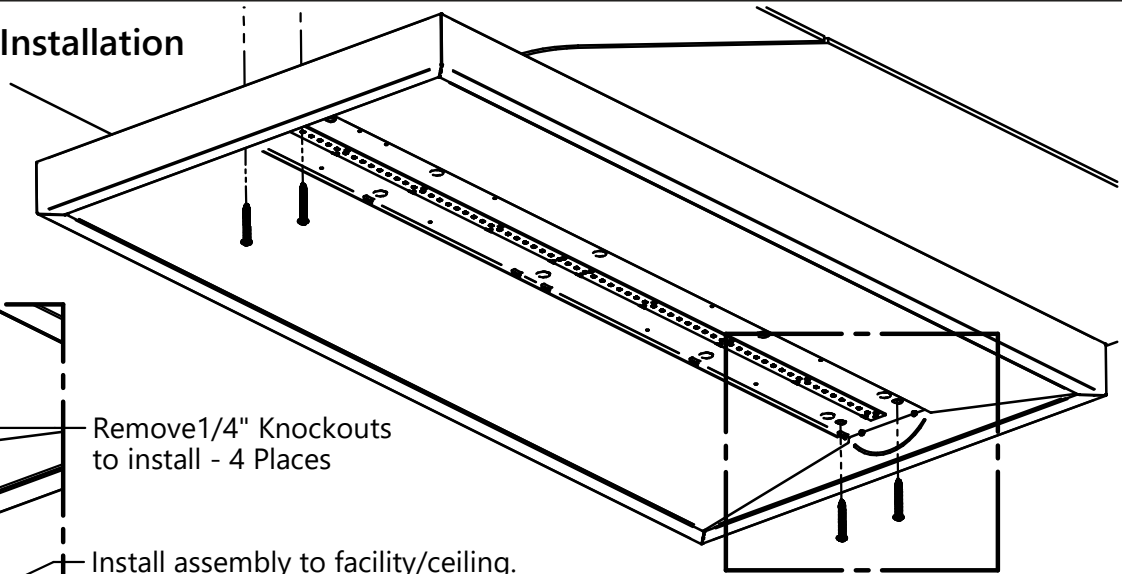
8 EM option test switch wiring connections are fully enclosed with plenum rated wiring or sleeving as illustrated above. EM Test Switch wiring or enclosure is not field serviceable or accessible.

Product Identification



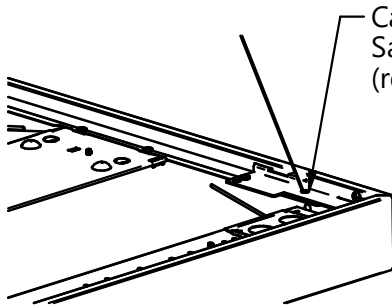
9 Product Label is placed near access plate as shown above according to regulatory requirements, electrical enclosure size may vary by options.

10 Surface Mounting Kit Installation



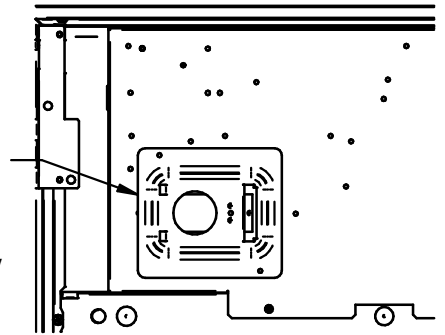
Remove 1/4" Knockouts to install - 4 Places

Install assembly to facility/ceiling. Use #14x2.0" OR 1/4x2.0" Dia. Flanged Head Sheet Metal Screws or Round Head Philips Wood Screws. 1/4" Dia. Close Fit Clearance Washers may be used for added retention.



Cable Mounting (CM), Safety Tether location (required)

Confirm collar is in place for wiring and prior to fastening to facility. Install Cable Mounting Kit (CM) provided for security and support during servicing, maintenance, or access to wiring connections.



This device complies with Part 15 of the FCC Rules. Operation is subject to the following two conditions: (1) This device may not cause harmful interference, and (2) this device must accept any interference received, including interference that may cause undesired operation.

**Note:** This equipment has been tested and found to comply with the limits for a Class A digital device, pursuant to part 15 of the FCC Rules. These limits are designed to provide reasonable protection against harmful interference when the equipment is operated in a commercial environment. This equipment generates, uses, and can radiate radio frequency energy and, if not installed and used in accordance with the instruction manual, may cause harmful interference to radio communications. Operation of this equipment in a residential area is likely to cause harmful interference in which case the user will be required to correct the interference at his own expense.

**Note:** CONTACT FACTORY for details and limitations when seeking to incorporate this product with an emergency system other than Battery Backup.