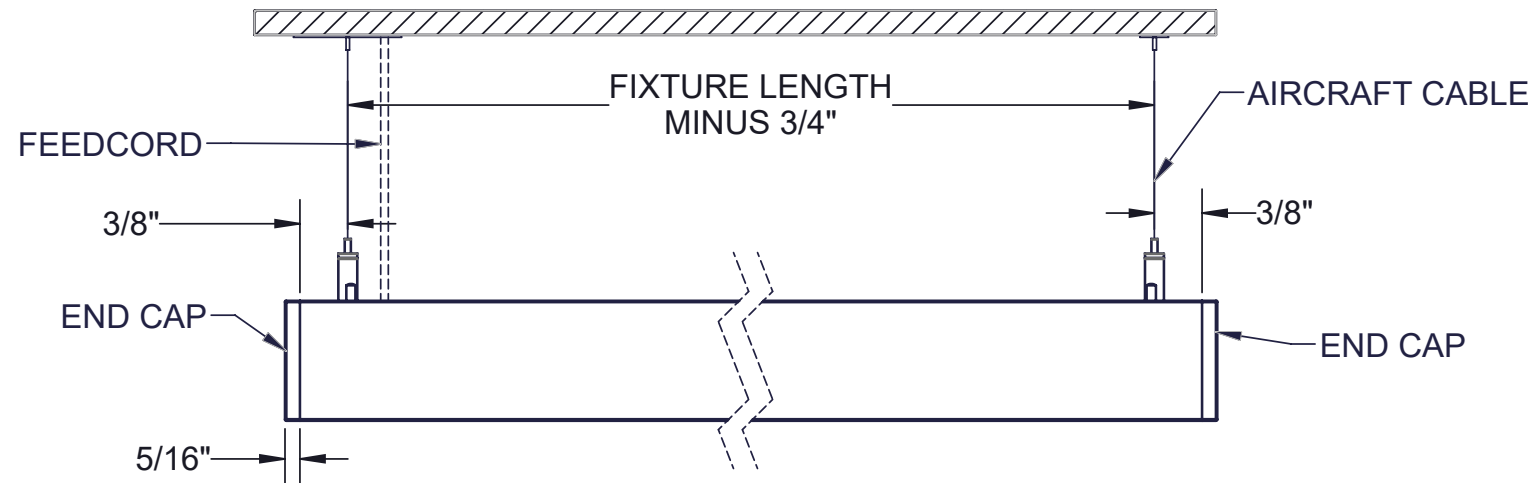
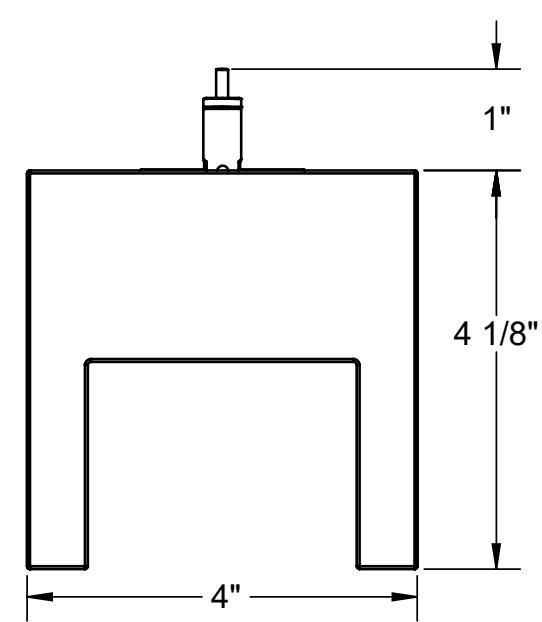


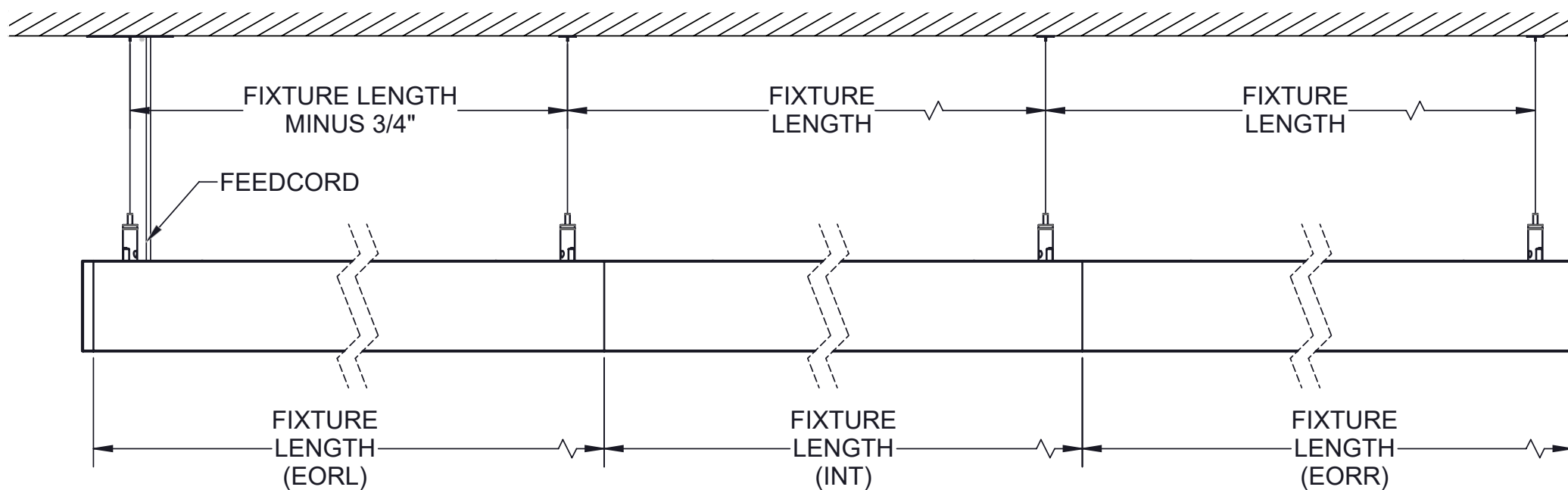
NOMENCLATURE:
 EORL: END OF ROW LEFT
 EORR: END OF ROW RIGHT
 INT: INTERMEDIATE
 IND: INDIVIDUAL



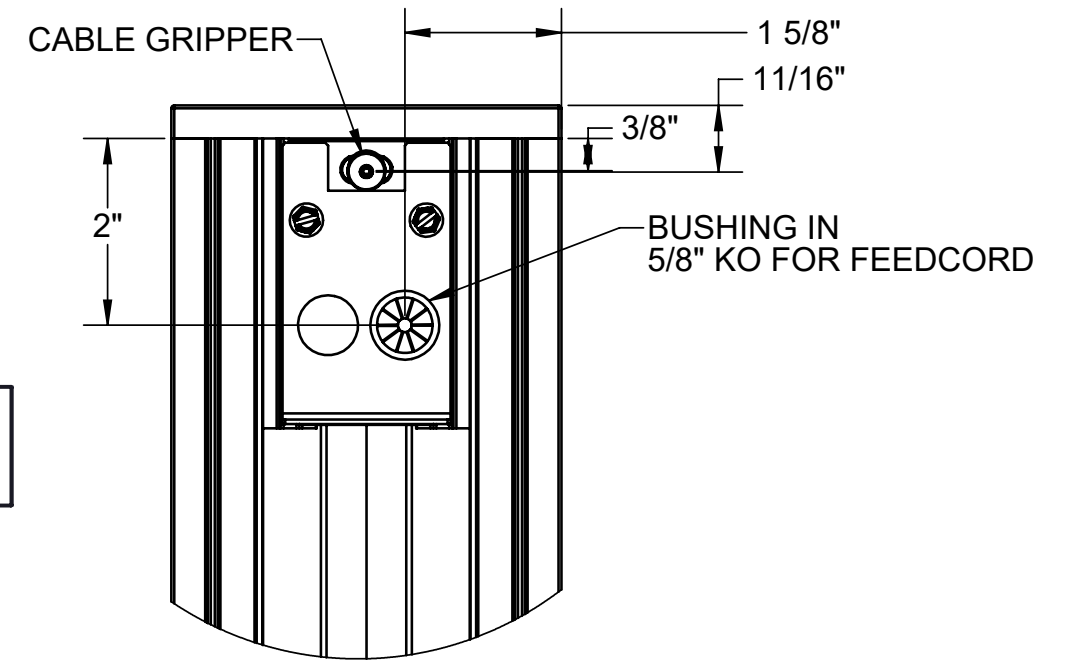
SIDE VIEW - INDIVIDUALLY MOUNTED



CROSS SECTION VIEW



SIDE VIEW - ROW JOIN



PLAN VIEW

GENERAL NOTES: (READ SHEETS COMPLETELY BEFORE STARTING)

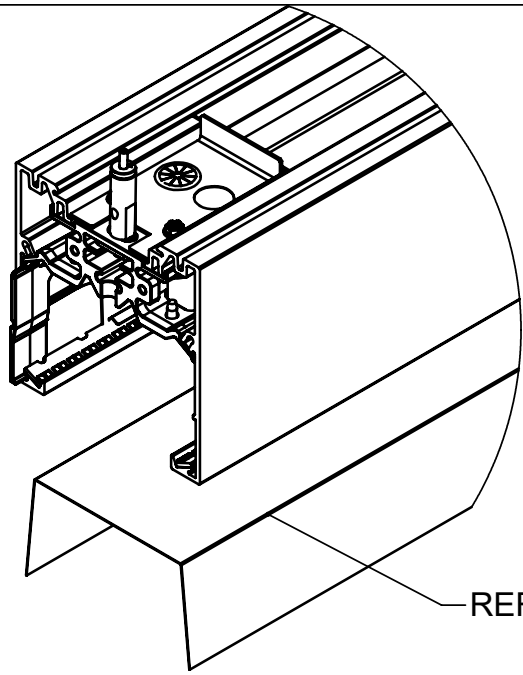
1. FIXTURES ARE SUPPLIED WITH FACTORY INSTALLED FIXTURE CIRCUIT WIRING. REFER TO SUPPLEMENTAL INSTRUCTION SHEET, 510401, WHEN MAKING CONNECTIONS.
2. APPROXIMATE WEIGHT OF FIXTURE IS 5 LBS PER FOOT OF LENGTH.
3. EVERY FIXTURE IN A ROW WILL HAVE A GRIPPER ON THE RIGHT SIDE. ONLY EORL FIXTURES HAVE GRIPPERS ON BOTH SIDES.

TOOLS REQUIRED

- 1/4" HEX DRIVER/DRILL
- 1/8" HEX KEY
- WIRE SNIPS

SUPPLIED BY INSTALLER

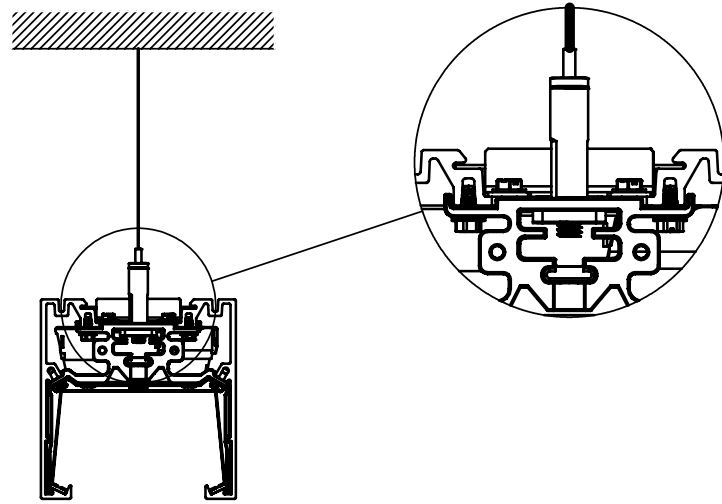
1



REFLECTOR

REMOVE REFLECTOR FROM ALL FIXTURES. **DO NOT REMOVE REFLECTOR FROM PROTECTIVE SLEEVE UNTIL READY TO REINSTALL.**

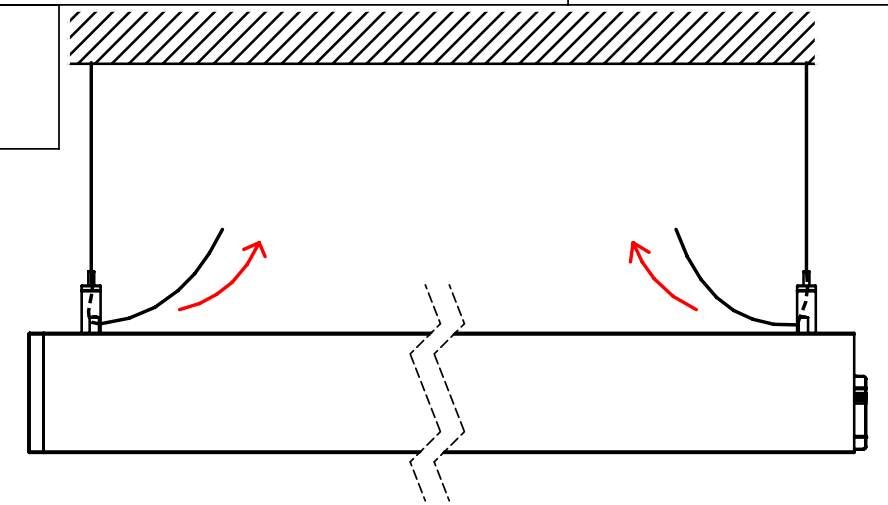
2



TO ATTACH CABLE, PUSH IN TOP OF GRIPPER AND INSERT CABLE. **FOR ROW JOINING FIXTURES, INSTALL EORL FIRST.**

NOTE: ENDCAP IS REMOVED FOR FULL VIEW OF GRIPPER.

3

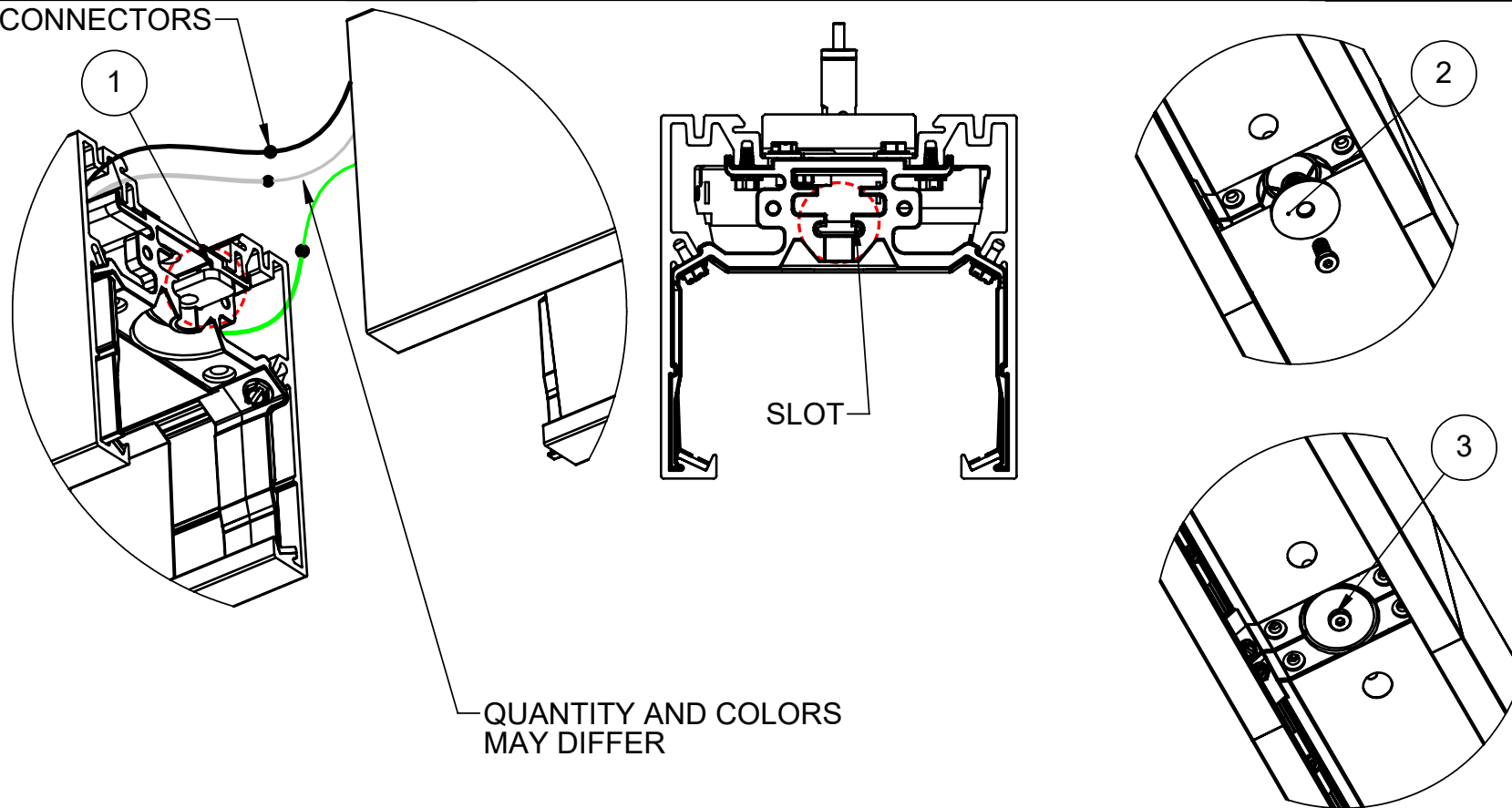


PULL EACH CABLE, ONE AT A TIME, WHILE SIMULTANEOUSLY HOLDING UP THE FIXTURE UNTIL LEVEL AT DESIRED HEIGHT. TO LET OUT CABLE, PUSH IN TOP OF GRIPPER. LOOSEN GRIPPER FOR SIDE TO SIDE ADJUSTMENT AND RETIGHTEN. SNIP EXCESS WIRE. SKIP TO STEP 5 IN INSTALLING IND FIXTURE.

IND FIXTURES HAVE BOTH ENDCAPS PREINSTALLED. INT FIXTURES HAVE NO ENDCAPS. EORL AND EORR HAVE ONE.

4

CONNECTORS



WITH EORL FIXTURE HUNG, HANG SECOND FIXTURE ON ONE SIDE WITH STEPS 1-3

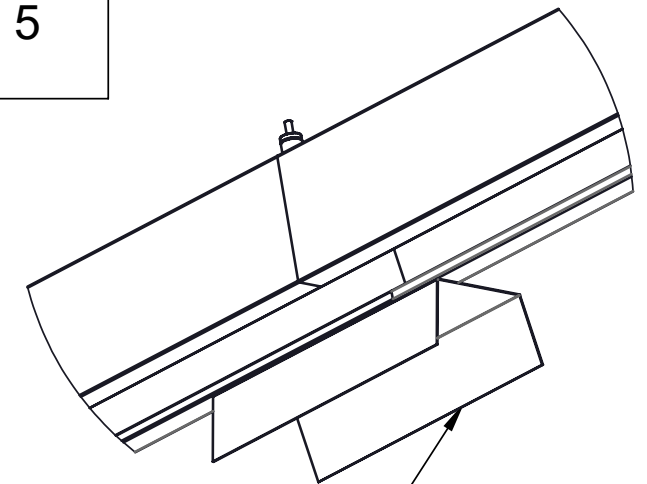
ROW JOIN BY INSERTING FLAT STRAP PIECE (1) INTO SLOT IN END HEADER IN FIRST FIXTURE. MAKE THRU WIRING CONNECTIONS BASED ON FIXTURES WIRING DIAGRAM AND BRANCH CIRCUIT WIRING. CONNECT SECOND FIXTURE TO THE FIRST FIXTURE. FROM BELOW, INSERT WASHER (2) INTO GROOVE AND SECURE WITH SOCKET CAP SCREW (3) WITH 1/8" HEX KEY.

REPEAT UNTIL ALL FIXTURES ARE HUNG.

QUANTITY AND COLORS MAY DIFFER

SLOT

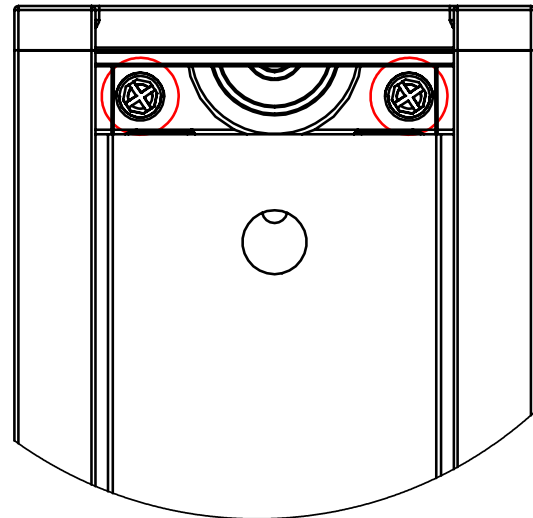
5



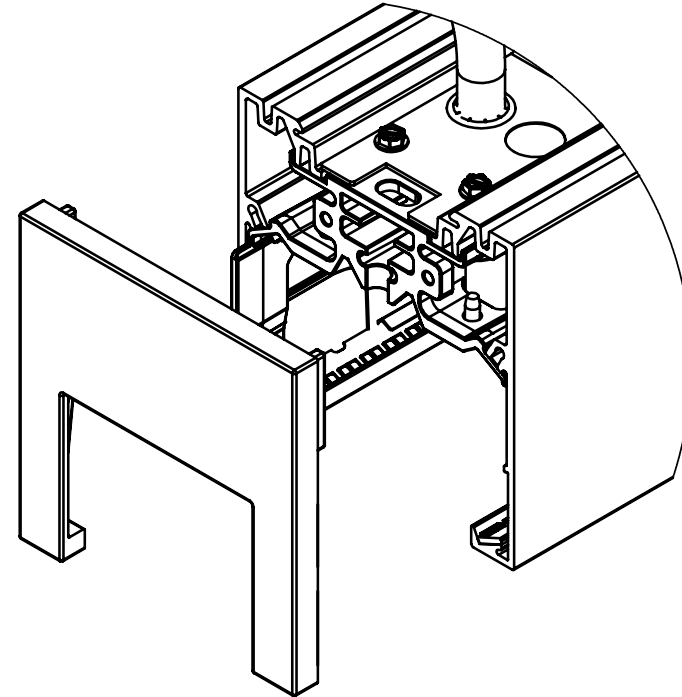
6" FILLER REFLECTOR

REMOVE PROTECTIVE SLEEVE FROM REFLECTOR(S) AND IMMEDIATELY INSTALL. AT EVERY ROW JOINING LOCATION, INSTALL 6" FILLER REFLECTOR, IF APPLICABLE.

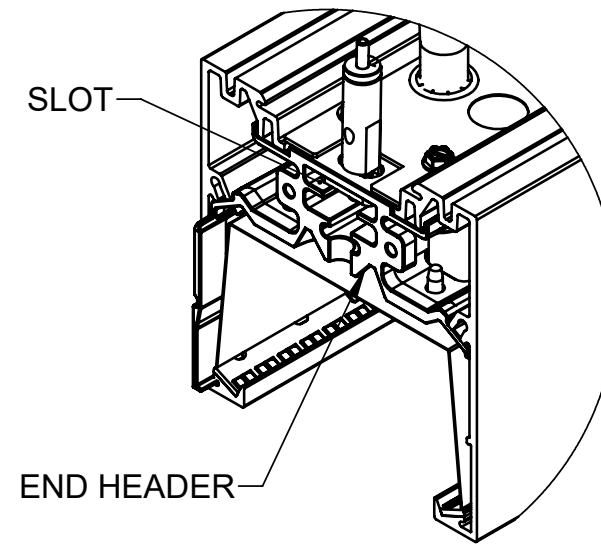
**CABLE GRIPPER/
END CAP INSTALL**



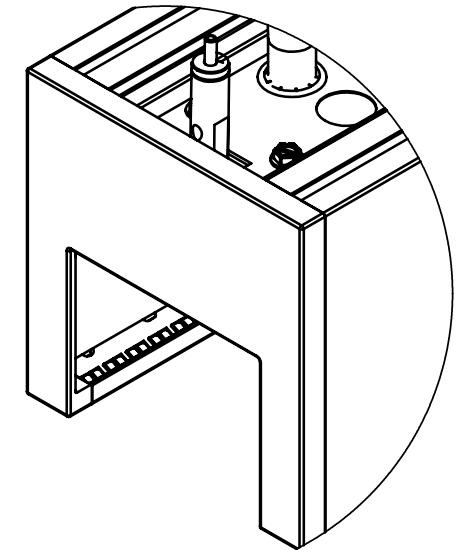
WITH RELECTOR REMOVED, REMOVE THE TWO 1/4" HEX SCREWS FROM INSIDE THE FIXTURE.



REMOVE END CAP FROM FIXTURE.

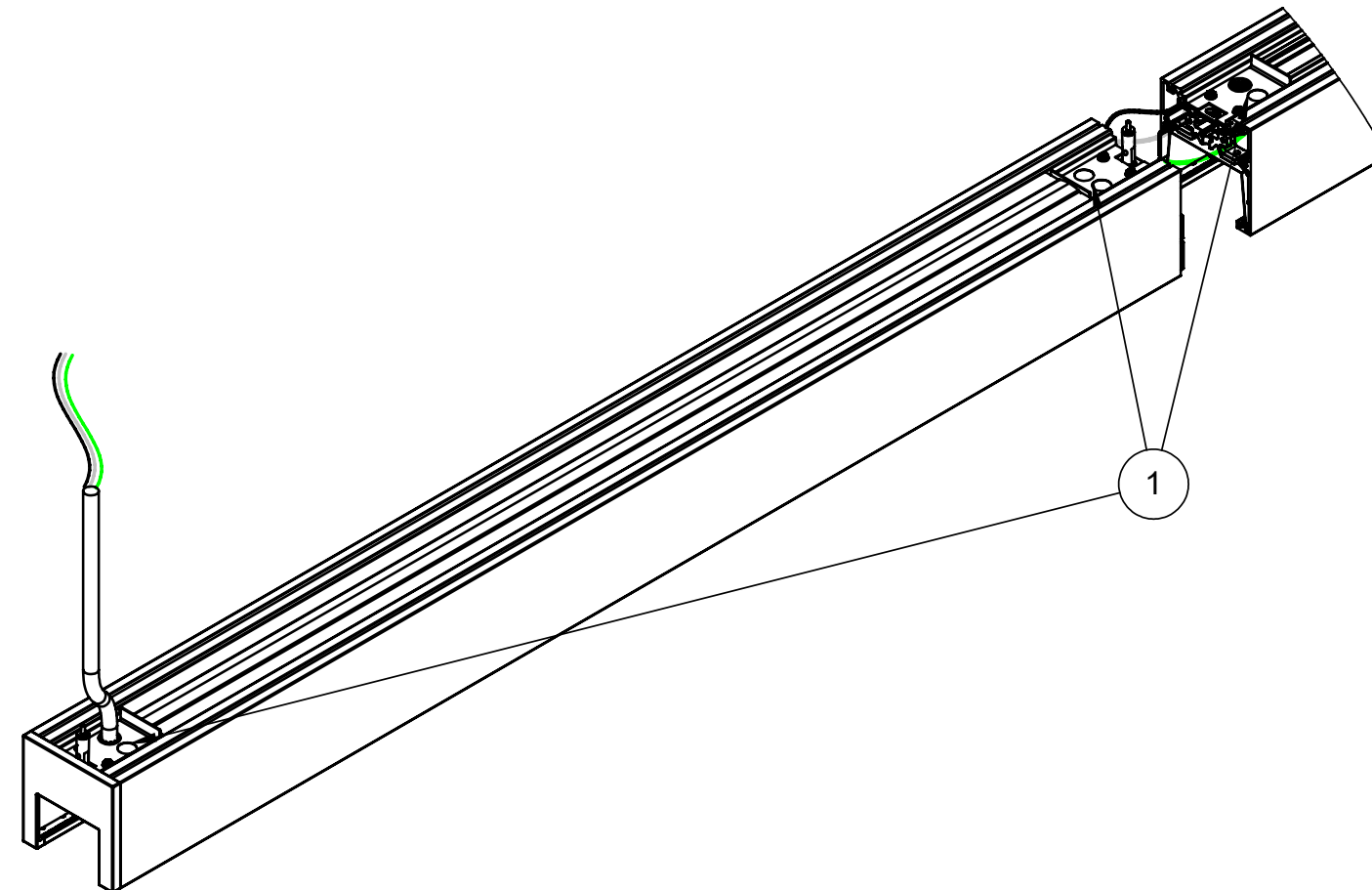
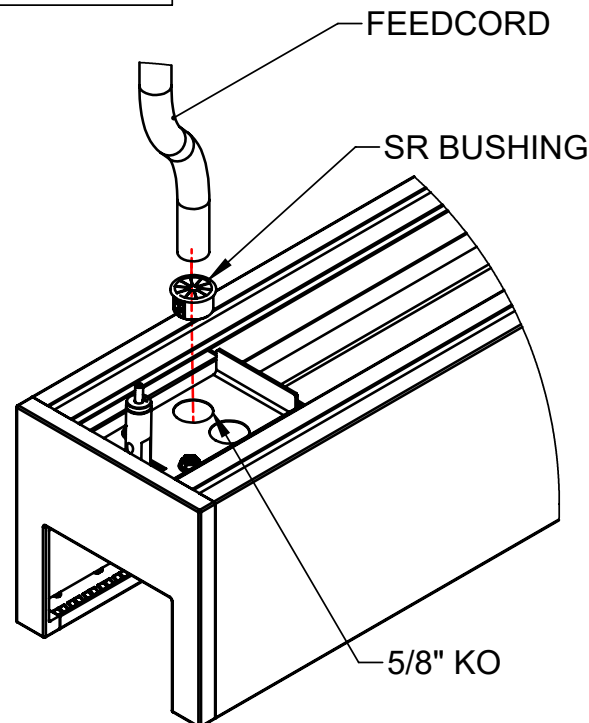


INSERT FLAT STRAP PIECE FULLY INTO SLOT ON END HEADER. SCREW GRIPPER INTO FLAT STRAP PIECE.



REINSTALL ENDCAP BY REVERSING THE ORDER OF THE FIRST TWO STEPS. TO ENSURE NO GAPPING HOLD END CAP TIGHT TO FIXTURE WHILE SCREWING IN.

**FEEDCORD
INSTALL**



REMOVE WIREWAY COVERS (1) TO ACCESS DRIVER CONNECTIONS. INSERT BUSHING ONTO FEEDCORD AND ATTACH BUSHING INTO 5/8" HOLE ON WIREWAY COVER (AFTER KO IS REMOVED). MAKE WIRING CONNECTIONS FOR EACH CONNECTED FIXTURE. REATTACH WIREWAY COVERS.