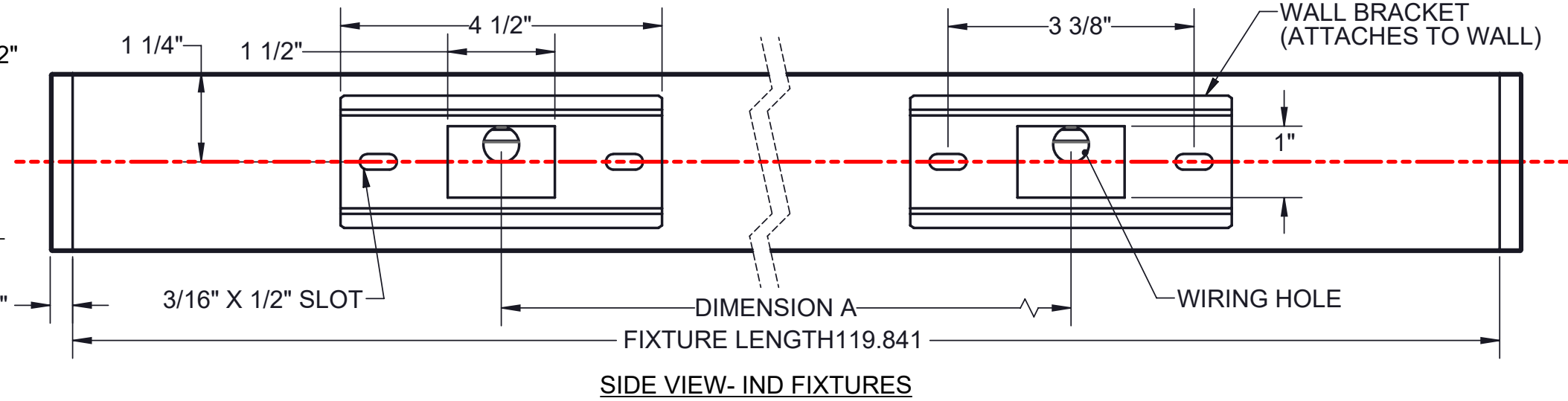
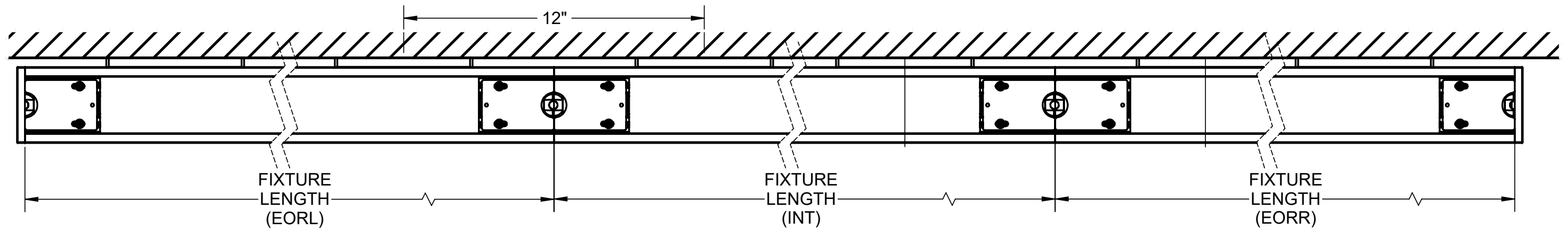


| FIXTURE LENGTH | DIMENSION A |
|----------------|-------------|
| 24"            | 12"         |
| 36"            | 24"         |
| 48"            | 36"         |
| 60"            | 48"         |
| 72"            | 60"         |
| 96"            | 72"         |

| NOMENCLATURE |                  |
|--------------|------------------|
| EORL         | END OF ROW LEFT  |
| INT          | INTERMEDIATE     |
| EORR         | END OF ROW RIGHT |
| IND          | INDIVIDUAL       |



**TOP VIEW- ROW MOUNTED**



**GENERAL NOTES: (READ SHEETS COMPLETELY BEFORE STARTING)**

1. ALL WALL FIXTURES REQUIRE TWO MOUNTING BRACKETS.
2. APPROXIMATE WEIGHT OF FIXTURE IS 2 LBS PER FOOT OF LENGTH.
3. A REMOTE ENCLOSURE IS REQUIRED FOR EACH 70L FIXTURE INSTALLED. REFER TO SUPPLIMENTAL ENCLOSURE INSTALLATION SHEET, 93158666 AND/OR 93158667.

| TOOLS REQUIRED   | SUPPLIED BY INSTALLER                                     |
|--|---|
| - 5/64" ALLEN KEY<br>- 1/8" ALLEN KEY<br>- 1/4" HEX SOCKET | -HARDWARE TO MOUNT WALL BRACKET (WALL MATERIAL DEPENDENT) |

1

WALL REF.

STRAIGHT LINE

MOUNT WALL BRACKETS ALONG A STRAIGHT LINE PER DIMENSIONS SHOWN IN SIDE VIEW ON PAGE 1. IF INSTALLING ROW, REFER TO TOP VIEW ON PAGE 1 AND THE ABOVE ILLUSTRATION. IF REQUIRED, USE SHIMS BETWEEN WALL SURFACE AND BACK OF BRACKETS. DRILL WIREWAY HOLE WITHIN SQUARE CUTOUT ON EACH BRACKET.

2

REFLECTOR

REMOVE REFLECTOR FROM ALL FIXTURES BEING MOUNTED. **DO NOT REMOVE REFLECTOR FROM PROTECTIVE COVER UNTIL YOU ARE READY TO REINSTALL.**

3

1

REMOVE WIREWAY COVERS (1) FROM EACH FIXTURE. FEED CONNECTIONS FROM DRIVER ENCLOSURE THROUGH PRE DRILLED HOLE IN WALL AND INSERT INTO WIRING HOLE IN 1ST FIXTURE. FEED THE WIRE UP AND OUT OF WHERE THE WIREWAY COVER WAS REMOVED. **NOTE: FOUR CONDUCTOR MAXIMUM PER SIDE. ROUTE WIRES ACCORDING TO LABELS. SOME FIXTURES REQUIRE BOTH SIDES TO BE UTILIZED.**

4

MOUNT FIXTURE ONTO BRACKETS AT AN ANGLE. ALLOW FIXTURE TO BECOME FLUSH WITH WALL SURFACE.

**NOTE: FIXTURE WILL NOT BE FULLY SECURED UNTIL THE SET SCREWS ARE TIGHTENED AFTER ROWJOINING IS COMPLETE.**

5

MAKE CONNECTIONS INSIDE

MAKE PROPER CONNECTIONS INSIDE FIXTURE AND REPLACE WIREWAY COVER. WIRE COLOR AND QUANTITY MAY VARY. FOR IND FIXTURES SKIP TO STEP 7.

6

1

2

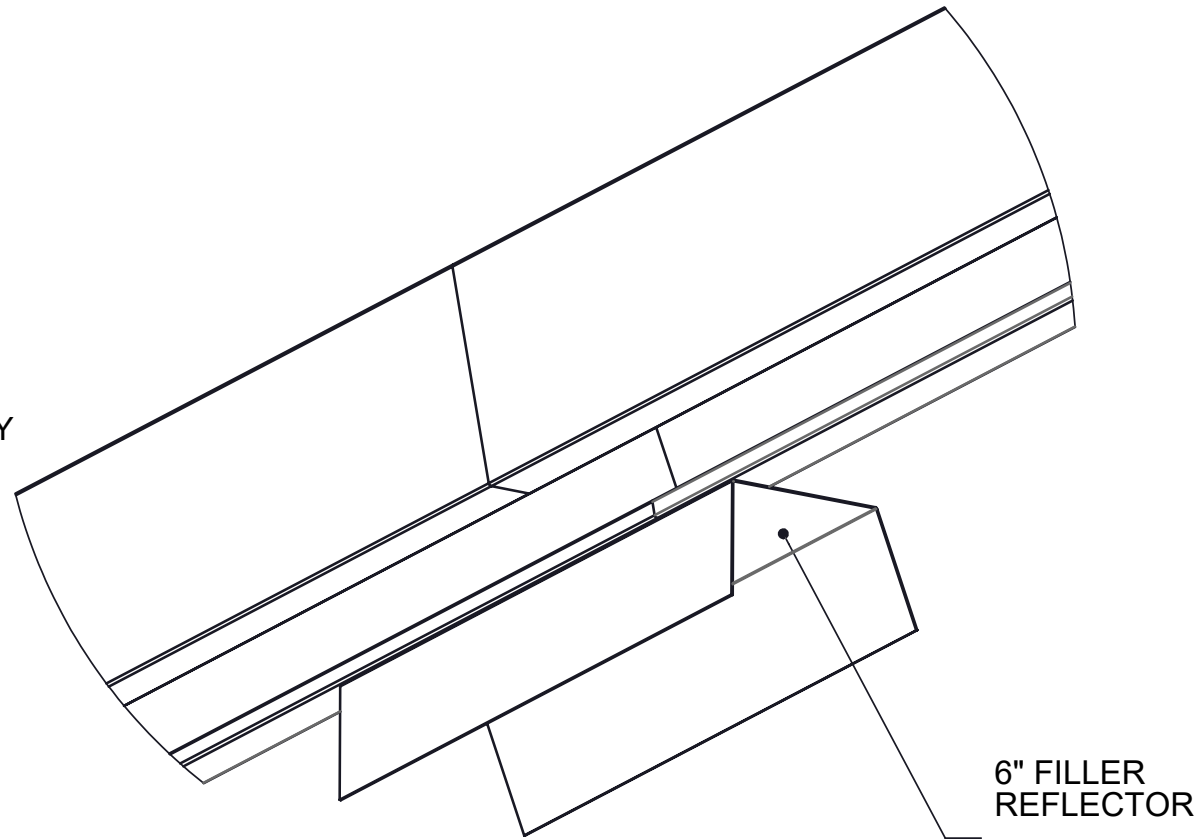
3

SLOT

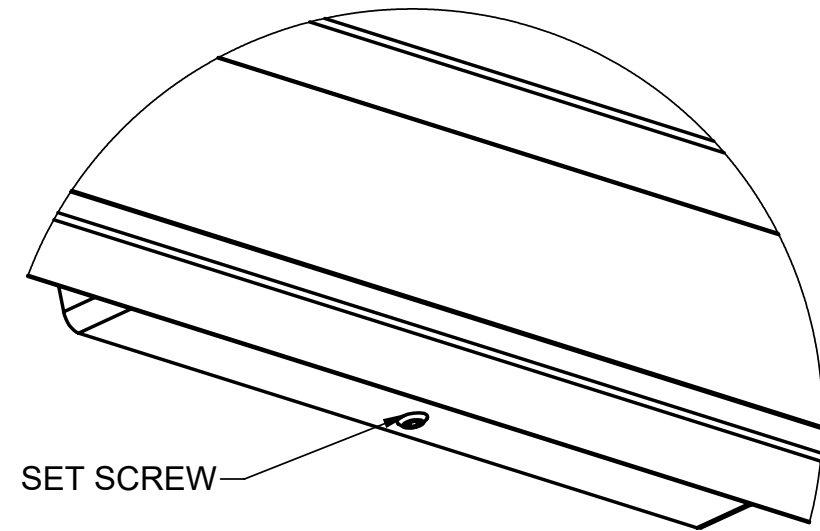
INSERT FLAT STRAP PIECE (1) INTO END OF MOUNTED FIXTURE. ATTACH SECOND FIXTURE. INSERT WASER (2) AND SCREW (3) FROM BELOW AND TIGHTEN UNTIL SECURE. FOR EACH FIXTURE FOLLOW STEPS 1 THOUGH 6 UNTIL ALL FIXTURES ARE PROPERLY INSTALLED.

7

REMOVE REFLECTOR(S) FROM ITS PROTECTIVE SLEEVE AND IMMEDIATELY INSTALL. AT EVERY ROW JOINING LOCATION, INSERT A 6" FILLER REFLECTOR, IF APPLICABLE.



8



USING A 5/64" HEX KEY, SECURE ALL SET SCREWS. EVERY WALL MOUNT BRACKET HAS A SET SCREW.

**ADDITIONAL INSTALLATION INSTRUCTIONS**

**END CAP INSTALL**

WITH RELECTOR REMOVED, REMOVE THE TWO END CAP SCREWS FROM INSIDE THE FIXTURE. PULL END CAP AWAY FROM FIXTURE. TO REINSTALL, HOLD ENDCAP TIGHT TO FIXTURE AND SCREW BACK IN.

