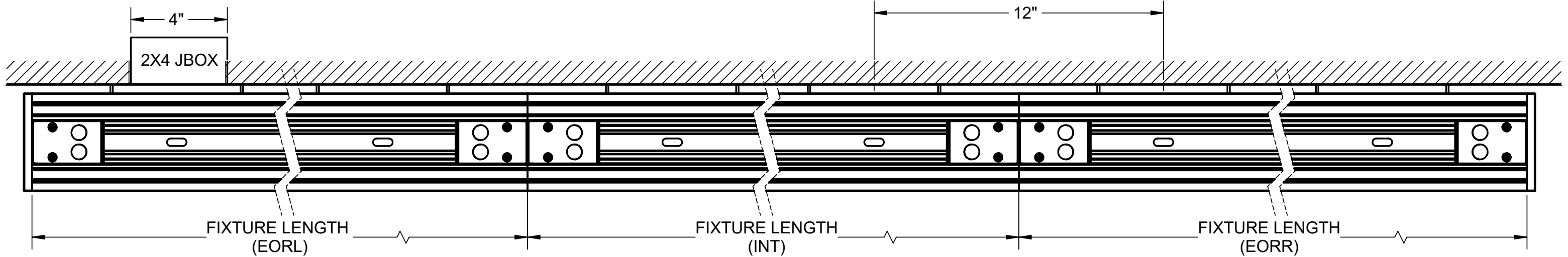
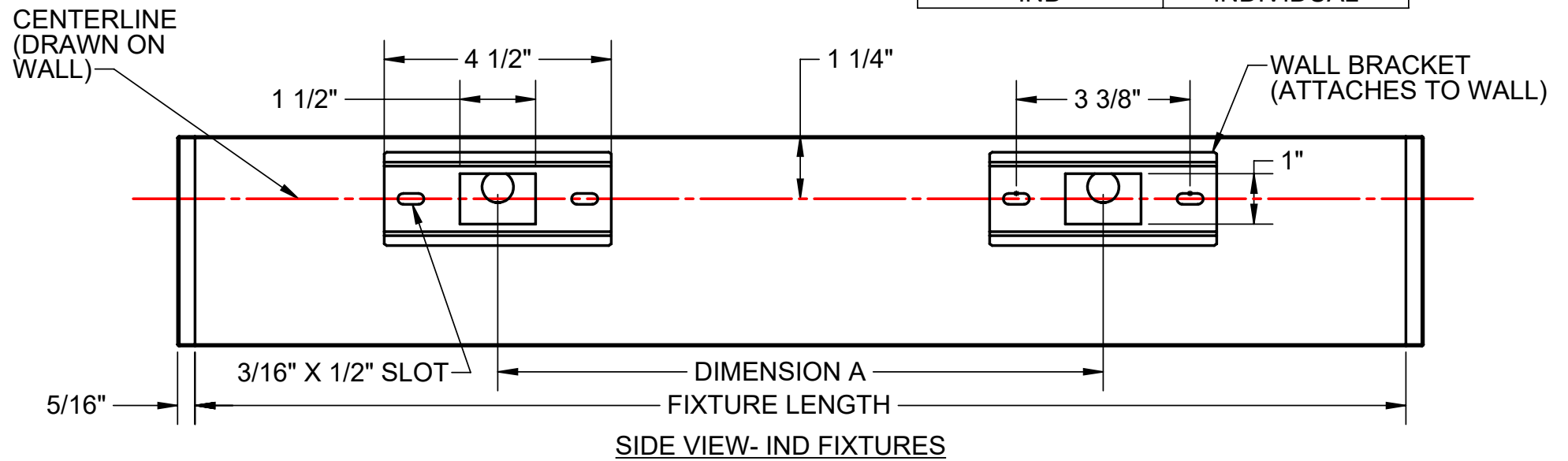


FIXTURE LENGTH	DIMENSION A
24"	12"
36"	24"
48"	36"
60"	48"
72"	60"
96"	72"

NOMENCLATURE	
EORL	END OF ROW LEFT
INT	INTERMEDIATE
EORR	END OF ROW RIGHT
IND	INDIVIDUAL



GENERAL NOTES: (READ SHEETS COMPLETELY BEFORE STARTING)

1. FIXTURES ARE PROVIDED WITH FACTORY-INSTALLED FIXTURE CIRCUIT WIRING. REFER TO SUPPLEMENTAL INSTRUCTION SHEET, 510401, WHEN MAKING CONNECTIONS.
2. ALL WALL FIXTURES REQUIRE TWO MOUNTING BRACKETS.
3. APPROXIMATE WEIGHT OF FIXTURE IS 5 LBS PER FOOT OF LENGTH.
4. ONE 2X4 JBOX IS REQUIRED ON THE LEFT SIDE OF THE FIXTURE OR ROW. OPTIONAL JBOXES HAVE TO BE MOUNTED BEHIND A FIXTURE MOUNTING POINT

TOOLS REQUIRED

- 5/64" HEX KEY
- 1/8" HEX KEY
- 1/4" HEX DRIVER/DRILL

SUPPLIED BY INSTALLER

- 2x4 JUNCTION BOX
- HARDWARE FOR MOUNTING WALL BRACKETS (WALL MATERIAL DEPENDENT)

1

WALL REF.

STRAIGHT LINE

INSTALL 2X4 JBOX PER DIMENSIONS SHOWN ON SHEET 1. MOUNT WALL BRACKETS ALONG A STRAIGHT LINE. THE LEFT BRACKET WILL MOUNT TO JBOX. IF INSTALLING ROW, REFER TO TOP VIEW ON PAGE 1. IF REQUIRED, USE SHIMS (NOT SUPPLIED) BETWEEN WALL SURFACE AND BACK OF BRACKETS. DRILL WIREWAY HOLE WITHIN SQUARE CUTOUT ON EACH BRACKET.

2

REFLECTOR

REMOVE REFLECTOR FROM ALL FIXTURES BEING MOUNTED. **DO NOT REMOVE REFLECTORS FORM PROTECTIVE SLEEVE UNTIL YOU ARE READY TO REINSTALL.**

3

BUILDING POWER

2X4 JBOX

WALL BRACKET

TO FIXTURE

FEED WIRES FROM BUILDING POWER INTO 2X4 JBOX AND CONNECT TO FIXTURE WIRING. BRING ALL CONNECTIONS INTO FIXTURE.

NOTE: REFERENCE WALL IS HIDDEN. WIRING QUANTITY AND COLOR MAY VARY.

4

MOUNT FIXTURE ONTO BRACKETS AT AN ANGLE. ALLOW FIXTURE TO BECOME FLUSH WITH WALL SURFACE.

NOTE: FIXTURE WILL NOT BE FULLY SECURED UNTIL ALL SET SCREWS ARE TIGHTENED AFTER ROW JOINING.

5

TWO-PORT CONNECTOR

SLOT

1

2

3

INSERT FLAT STRAP PIECE (1) INTO END OF MOUNTED FIXTURE. MAKE PROPER THRU WIRIE CONNECTIONS TO NEXT FIXTURE. ATTACH SECOND FIXTURE. INSERT WASHER (2) AND SCREW (3) FROM BELOW AND TIGHTEN UNTIL SECURE. FOR EACH FIXTURE FOLLOW STEPS 1 THOUGH 6 UNTIL ALL FIXTURES ARE PROPERLY INSTALLED.

6

ONCE ROW IS INSTALLED TIGHTEN ALL SET SCREWS WITH A 5/64" HEX KEY.

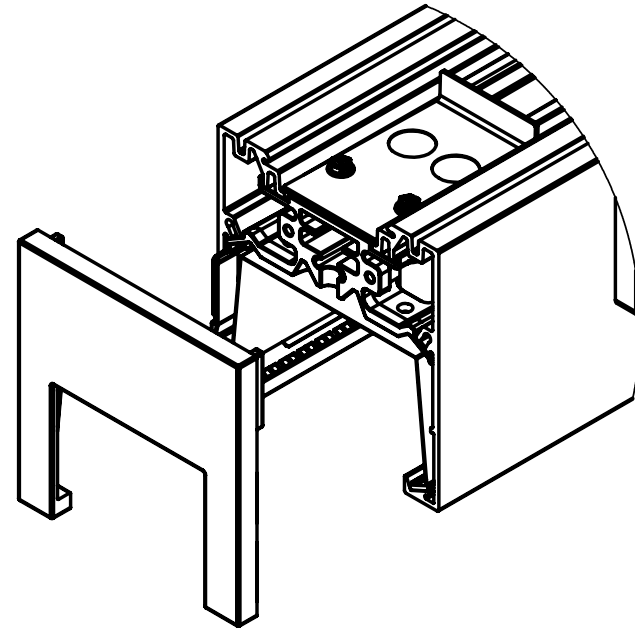
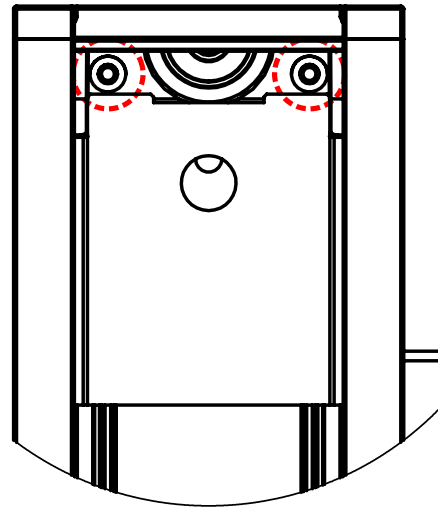
SET SCREW

7

REMOVE PROTECTIVE SLEEVE ON REFLECTORS AND IMMEDIATELY REINSTALL. INSTALL 6" FILLER REFLECTOR AT EVERY ROW JOINING LOCATION

6" FILLER REFLECTOR

**END CAP
INSTALL**



WITH RELECTOR REMOVED, REMOVE THE TWO END CAP SCREWS FROM INSIDE THE FIXTURE. PULL END CAP AWAY FROM FIXTURE. TO REINSTALL, HOLD ENDCAP TIGHT TO FIXTURE AND SCREW BACK IN.