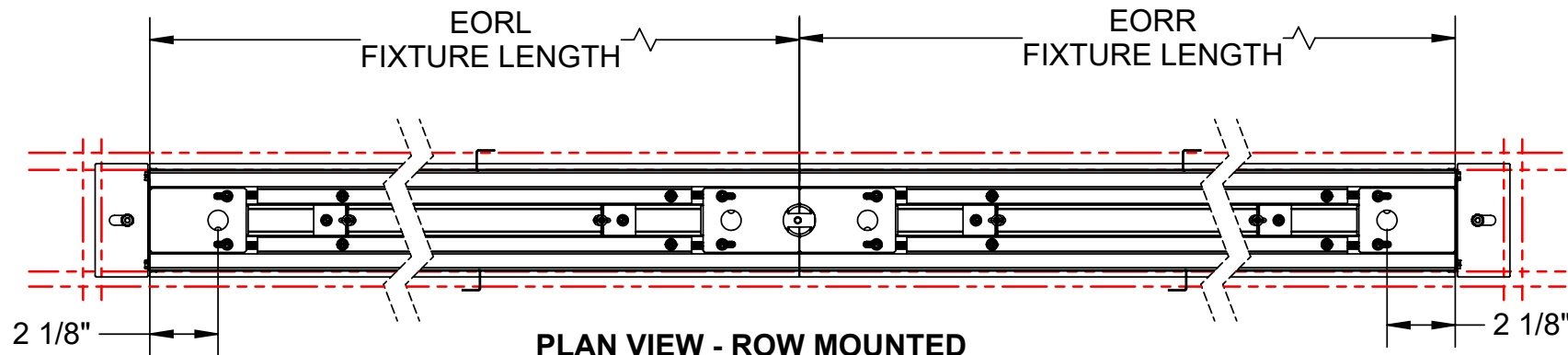


**PLAN VIEW INDIVIDUALLY MOUNTED RECESSED FIXTURE**



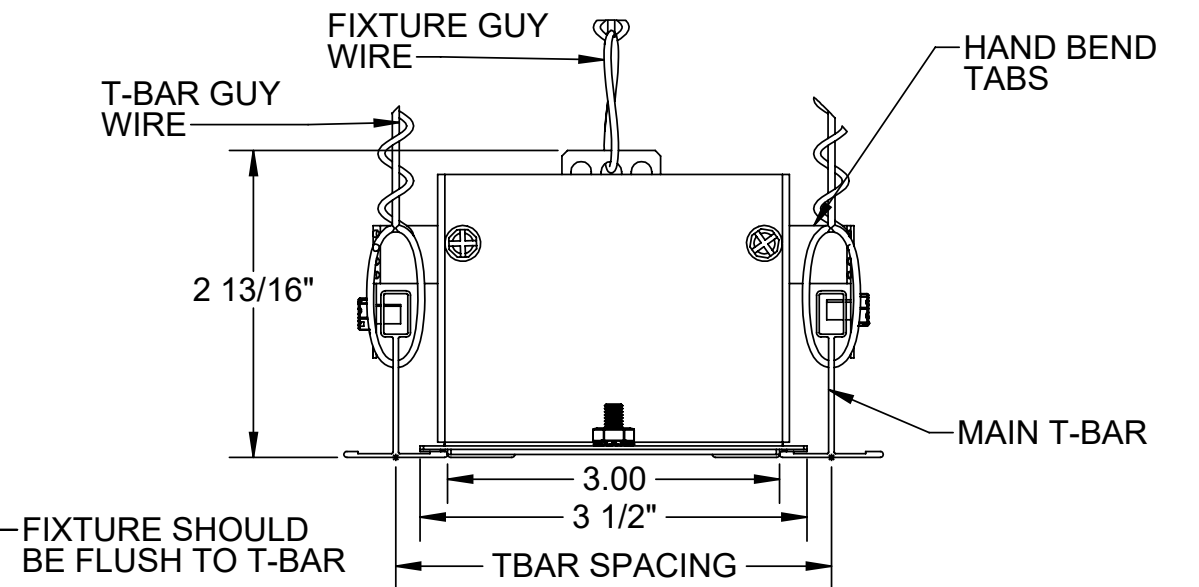
**PLAN VIEW - ROW MOUNTED RECESSED FIXTURES**

FIXTURE LENGTHS	
INDIVIDUAL/ END OF ROW RIGHT	20", 32", 44", 56", 68", 92"
INTERMEDIATE/ END OF ROW LEFT	24", 36", 48", 60", 72", 96"

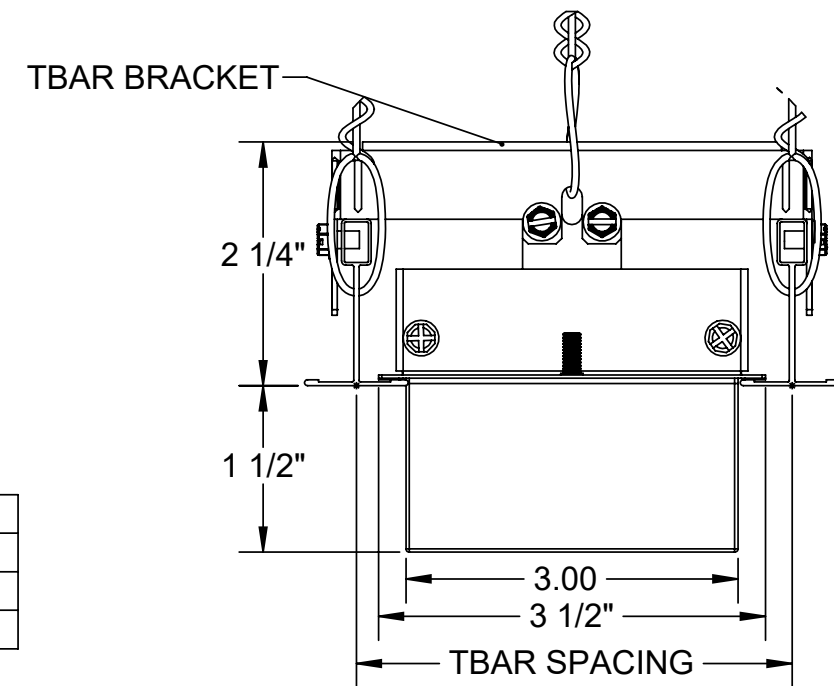
NOMENCLATURE	
EORL	END OF ROW LEFT
INT	INTERMEDIATE
EORR	END OF ROW RIGHT
IND	INDIVIDUAL

TBAR SPACING	
LG (15/16")	4"
NG (9/16")	3 19/32"
SS (9/16")	3 19/32"

**CROSS SECTION VIEW - LG & NG & SS**



**SEMI-RECESSED CROSS SECTION LG, NG & SS**



**GENERAL NOTES:**

1. ALL CEILING T-BARS MUST BE INSTALLED BEFORE FIXTURES ARE MOUNTED IN CEILING.
2. REFER TO SUPPLEMENTAL REMOTE ENCLOSURE DIAGRAM FOR WIRING. ALL ENCLOSURES NEED TO BE INSTALLED FIRST.
3. ENSURE FIXTURE IS FLUSH TO BOTTOM OF T-BAR. END CAP ADJUSTMENTS REQUIRED TO AVOID GAPPING.
4. DEPENDING ON YOUR LOCATION, BEND OUT TABS MAY NEED TO BE USED PER LOCAL CODE REQUIREMENTS. ONLY SEMI RECESSED VERSIONS REQUIRE TBAR BRACKET DEPENDING ON CODE.

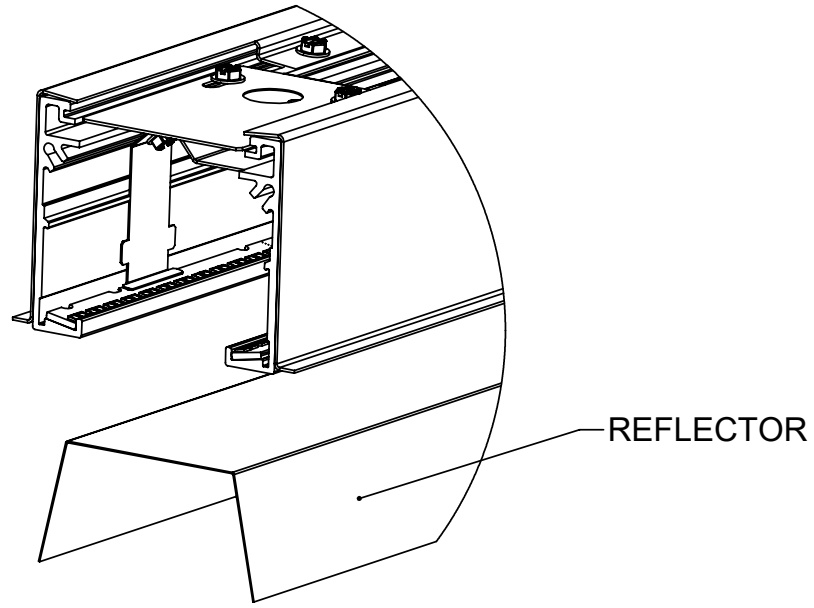
**TOOLS REQUIRED**

- 1/4" HEX DRIVER/DRILL
- 1/8" HEX KEY
- CUTTING TOOL AS NEEDED (CEILING TILE)

**SUPPLIED BY INSTALLER**

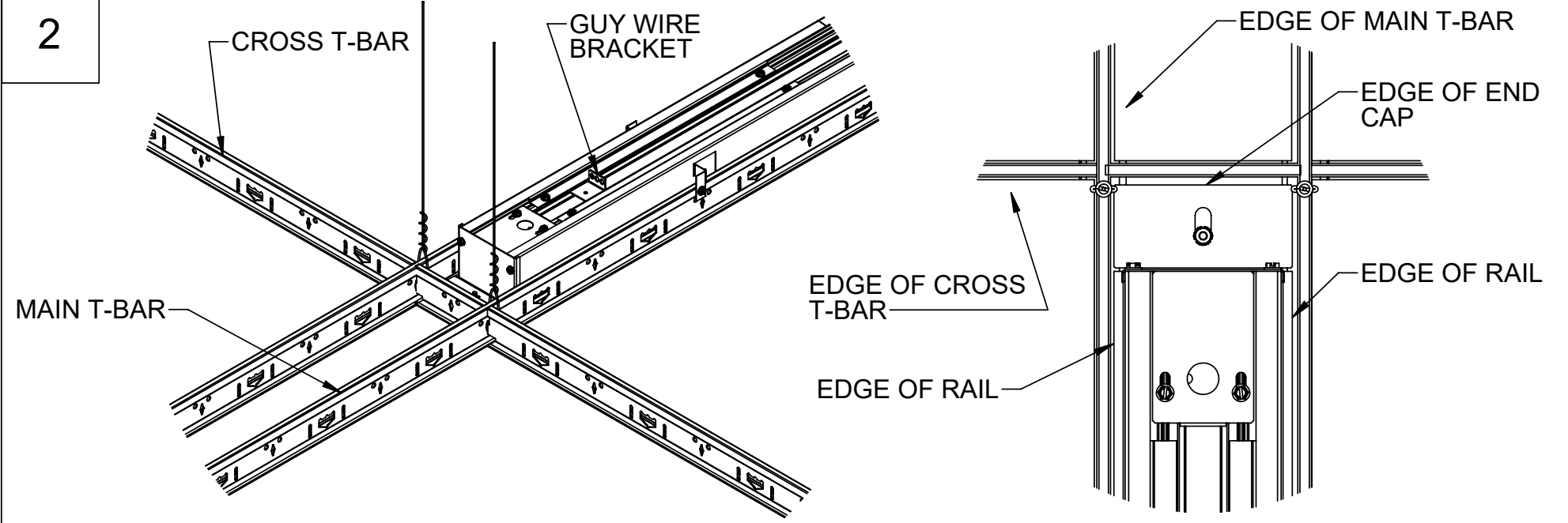
- SUPPORT WIRE/CHAIN

1



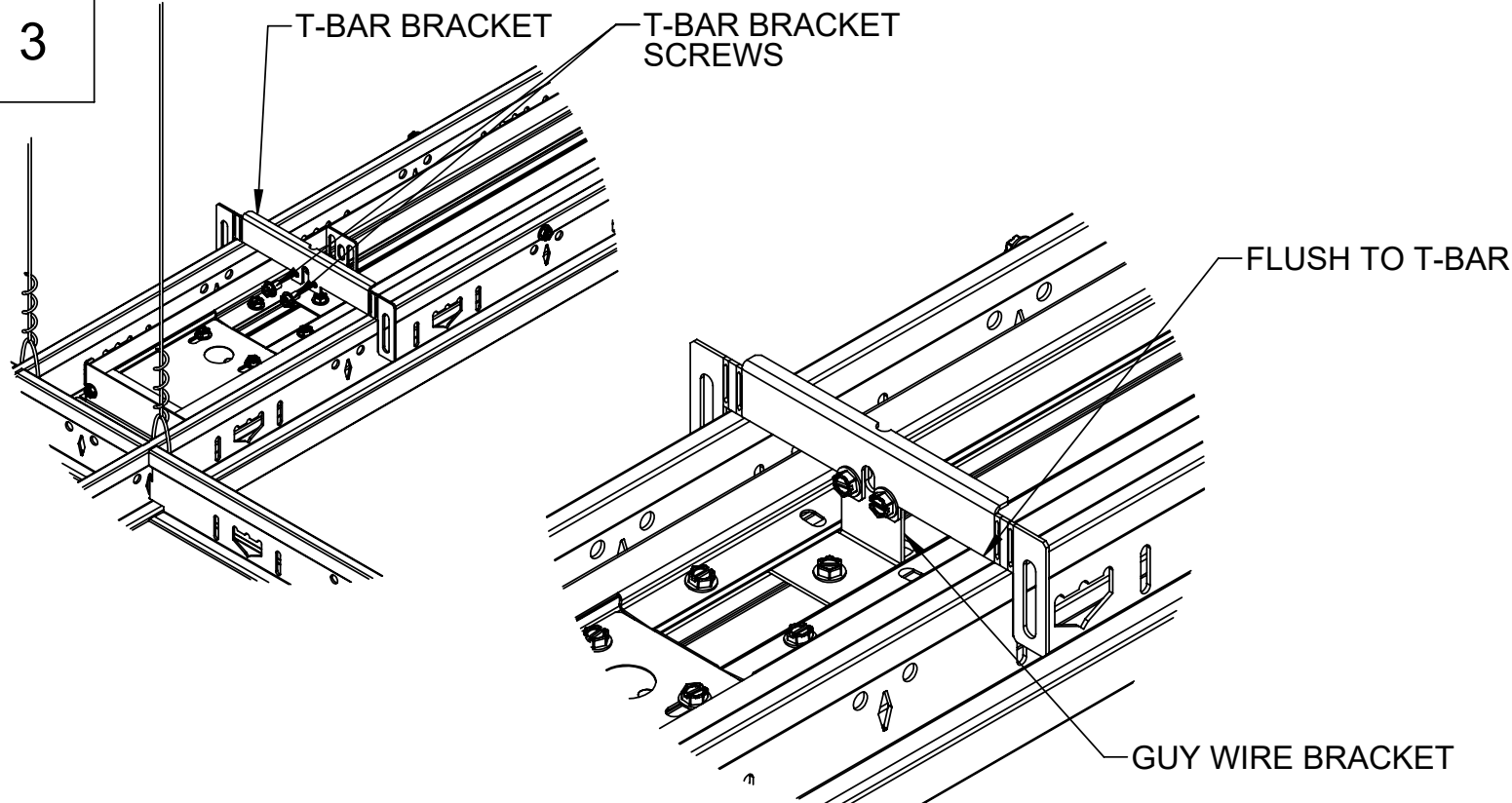
REMOVE REFLECTOR FROM EACH FIXTURE. DO NOT REMOVE REFLECTOR FROM PROTECTIVE SLEEVE UNTIL READY TO INSTALL.

2



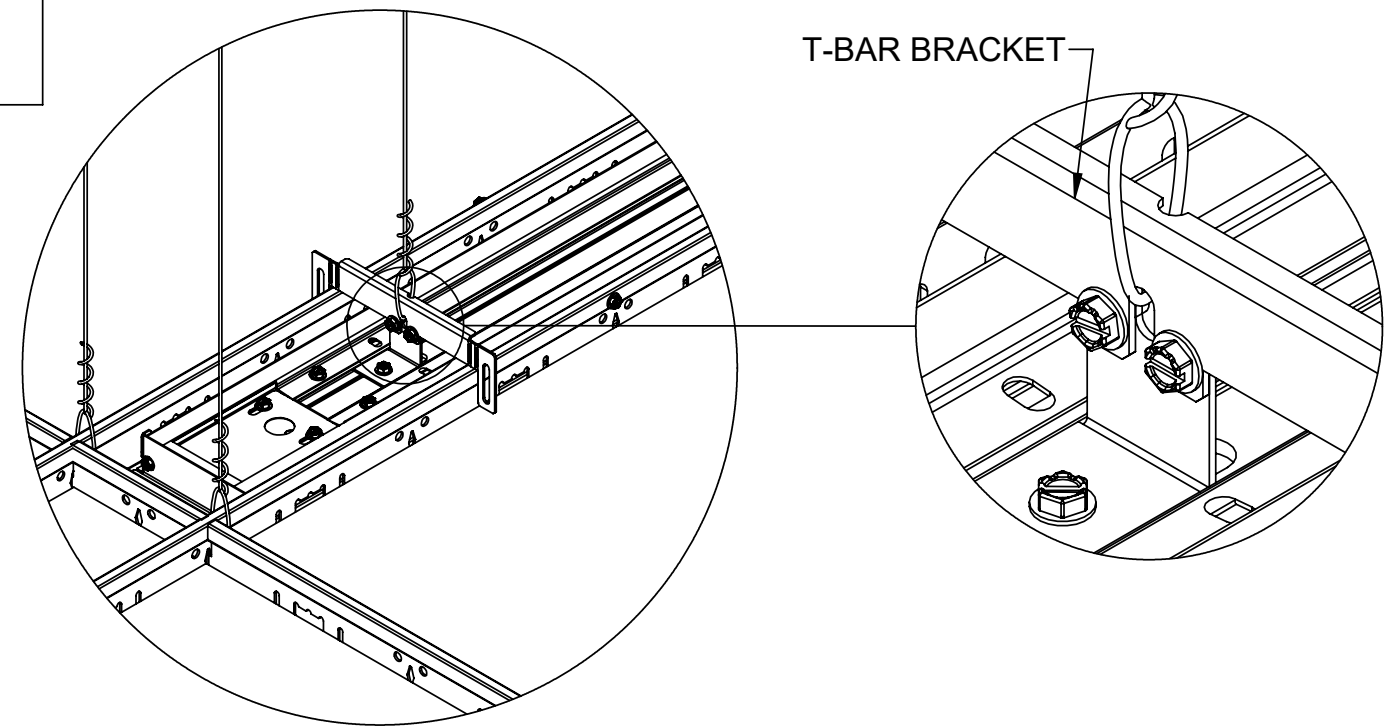
AFTER REMOVING CEILING TILES, ORIENT AND INSTALL MAIN AND CROSS T-BARS BASED ON THE DIMENSIONS SHOWN ON SHEET 1. PLACE FIXTURE ON T-BARS FROM ABOVE. T-BAR TYPE, LAYOUT AND FIXTURE COMPONENTS MAY VARY FROM THE IMAGE ABOVE.

3



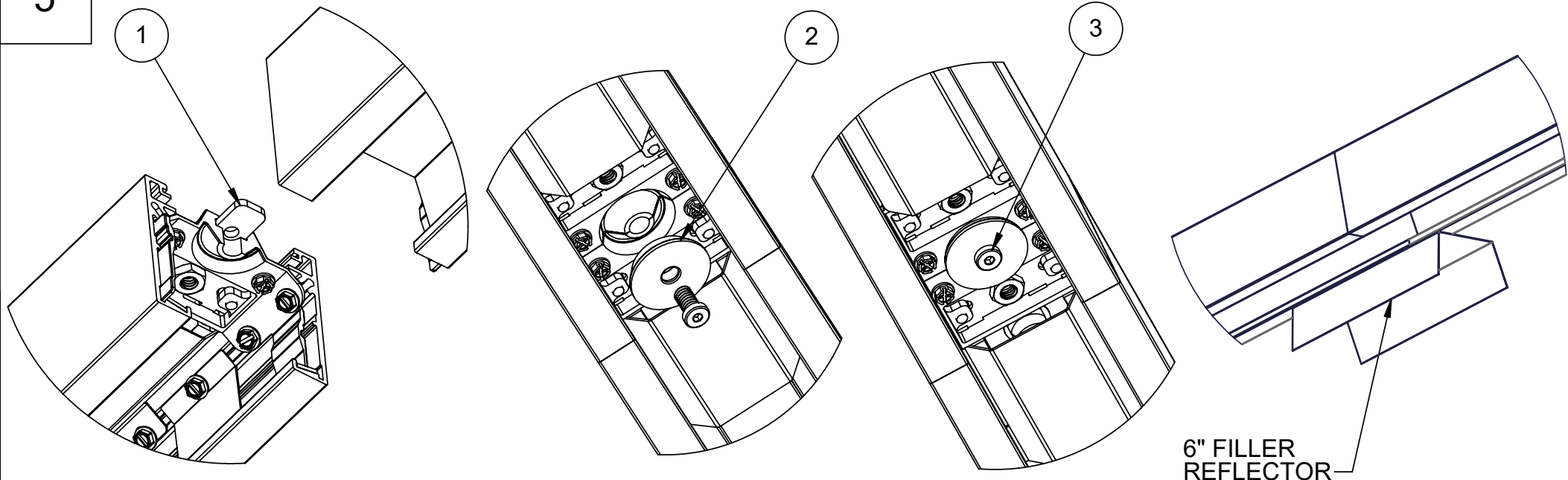
**FOR SR FIXTURES ONLY**, IF LOCAL CODE REQUIRES, INSTALL A T-BAR BRACKET ONTO EACH GUY WIRE BRACKET. ADJUST BRACKET SO THE BOTTOM IS FLUSH WITH T-BAR.

4



SUPPORT FIXTURE ENDS WITH GUY WIRE. IMAGE SHOWN IS FOR SEMI-RECESSED FIXTURES. T-BAR BRACKET MAY OR MAY NOT NEED TO BE THERE. IF INSTALLING INDIVIDUAL FIXTURE, REINSTALL REFLECTOR AND SKIP TO STEP 6.

5

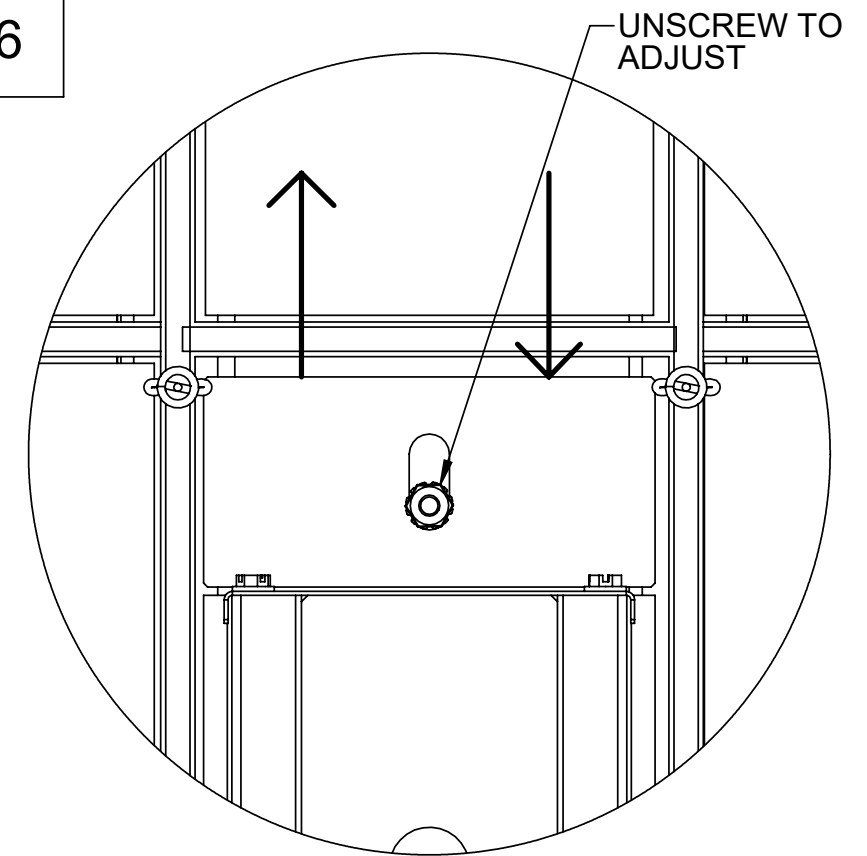


FOR ROW JOINING, INSERT FLAT STRAP PIECE (1) INTO FIXTURE 1'S END HEADER. CONNECT TO FIXTURE 2. FROM BELOW, PLACE WASHER (2) INTO ROW JOINED LOCATION AND SECURE WITH SCREW (3) WITH 1/8" HEX KEY.

INSTALL 2 GUY WIRES PER FIXTURE AFTER ROW JOINING (SUPPLIED BY OTHER). REFER TO STEP 3.

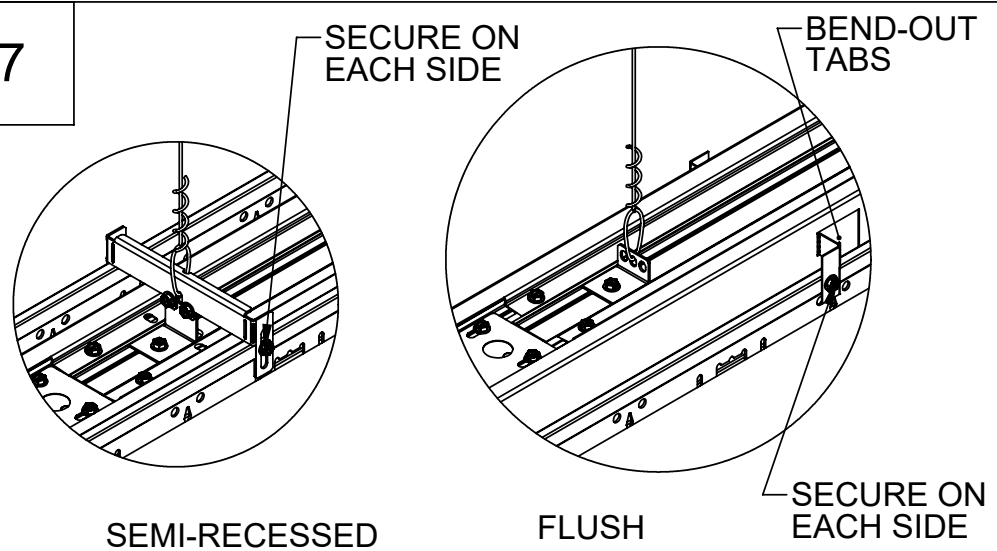
REMOVE MOUNTED REFLECTORS FOR PROTECTIVE SLEEVE AND IMMEDIATELY REINSTALL ALL REFLECTORS. AT EVERY ROW JOINING LOCATION, INSTALL A 6" FILLER REFLECTOR.

6



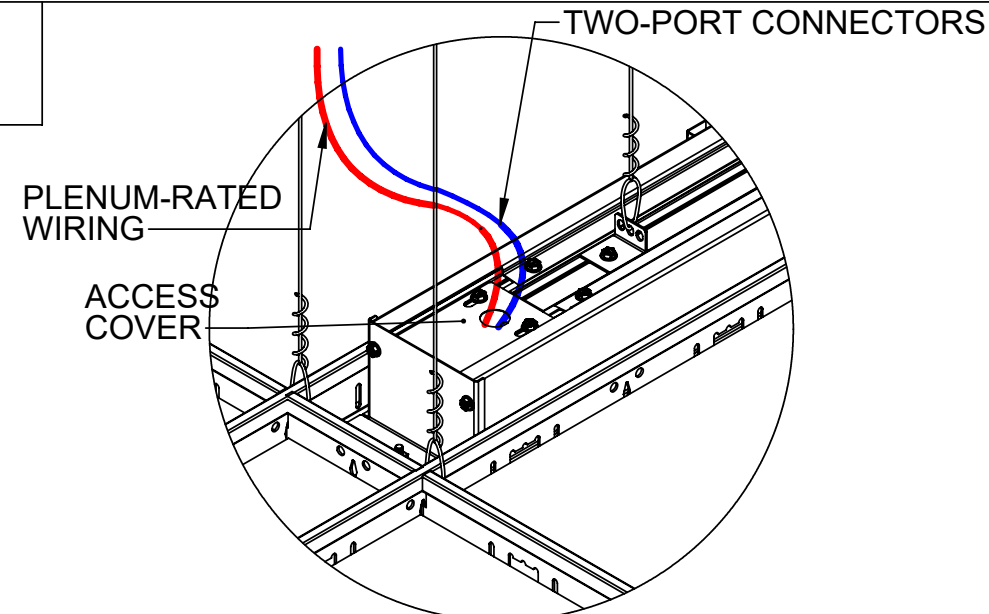
ADJUST END CAP TO COVER ANY POSSIBLE GAPPING.

7



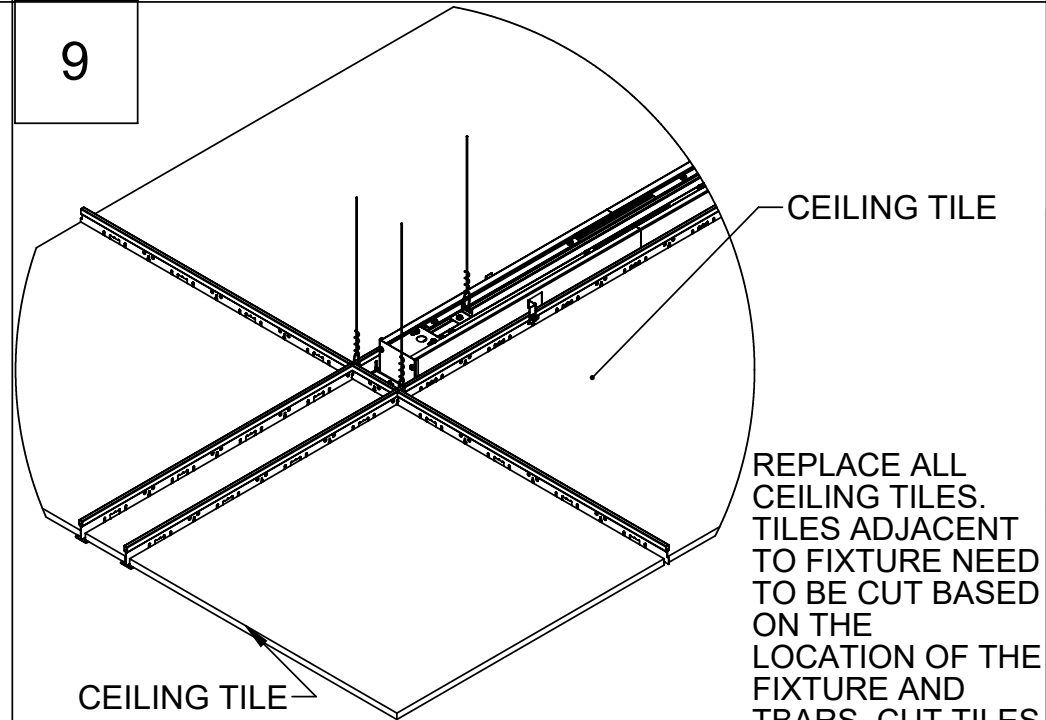
**FOR SEMI RECESSED**, IF LOCAL CODE REQUIRES, SECURE T-BAR CLIPS ONTO T-BAR RAILS ON EACH FIXTURE. **FOR FLUSH FIXTURE**, FOLD BEND-OUT TABS AND SECURE TO T-BAR.

8



MAKE CONNECTIONS TO FIXTURE USING PLENUM RATED WIRING COMING FROM ENCLOSURE. ACCESS COVER MAY NEED TO BE REMOVED FOR SPACE. ALL CONNECTIONS MUST BE INSIDE THE FIXTURE.

9



REPLACE ALL CEILING TILES. TILES ADJACENT TO FIXTURE NEED TO BE CUT BASED ON THE LOCATION OF THE FIXTURE AND TBARS. CUT TILES AS NEEDED.