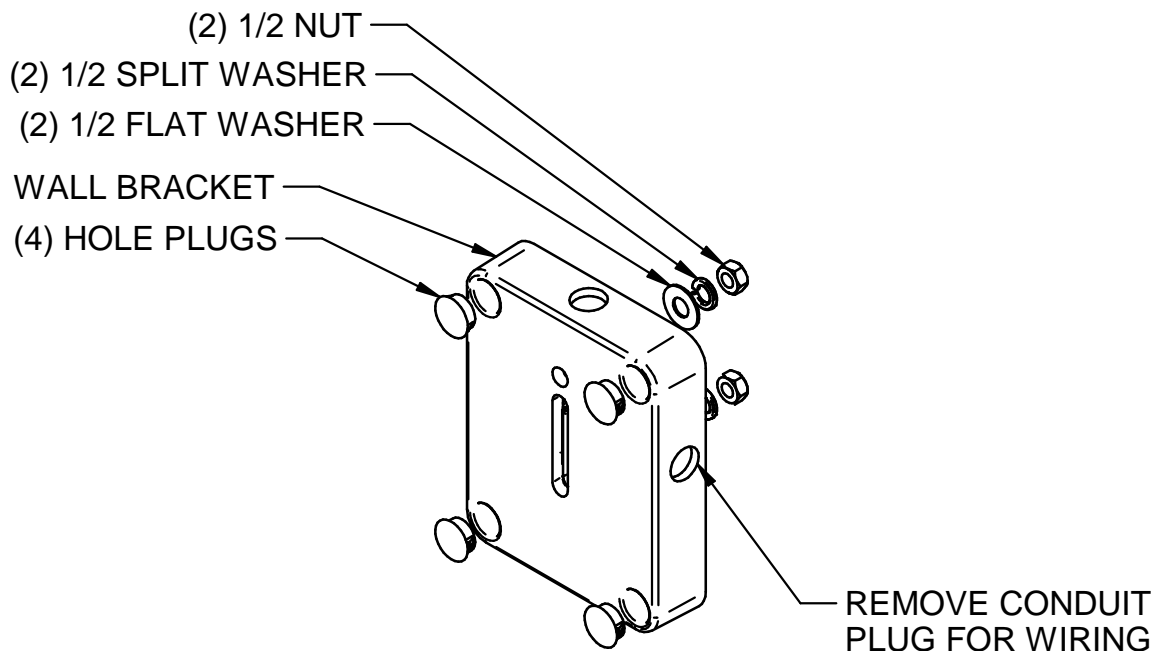


VPR2 WALL MOUNT BRACKET

WALL BRACKET ACCESSORY

WARNING: To avoid damaging supply wiring, drill all necessary holes in poles, arms, or mounting brackets BEFORE pulling supply wires.



Mounting Notes:

1. Position wall mount bracket over Jbox on wall and mark mounting hole locations.
2. Drill 4 holes in wall as marked.
3. Secure fixture onto bracket using hardware supplied with fixture and arm.
4. Secure wall bracket to wall using screws. (Not supplied)
5. Refer to fixture installation instructions for mounting fixture to arm.

Needed Tools:

Drill
Screws
Socket Head Ratchet

Shipping Package Contents:

Wall Bracket (1)
1/2 Split washer (2)
1/2 Flat Washer (2)
1/2 Nut (2)
Hole Plug (4)