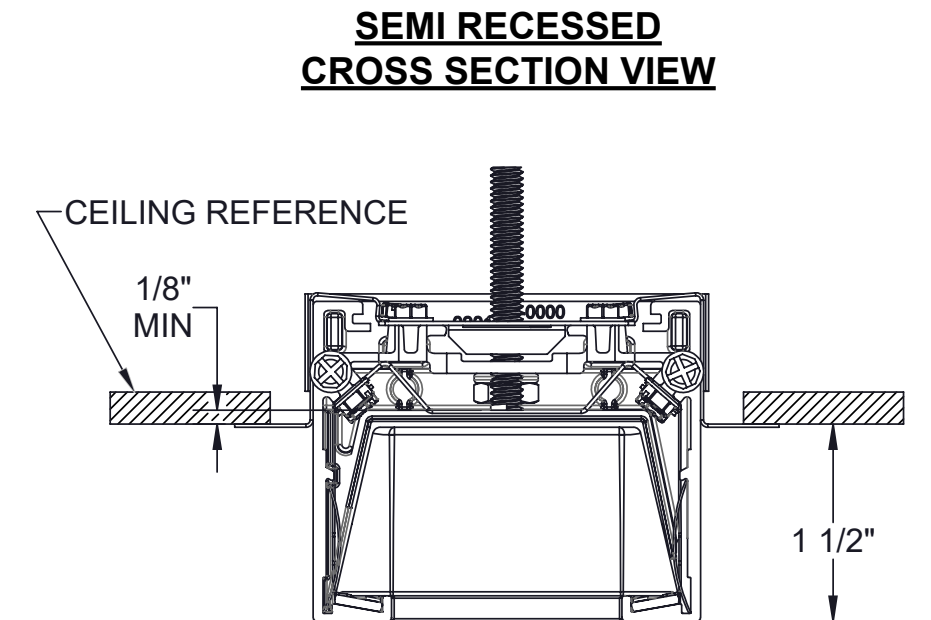
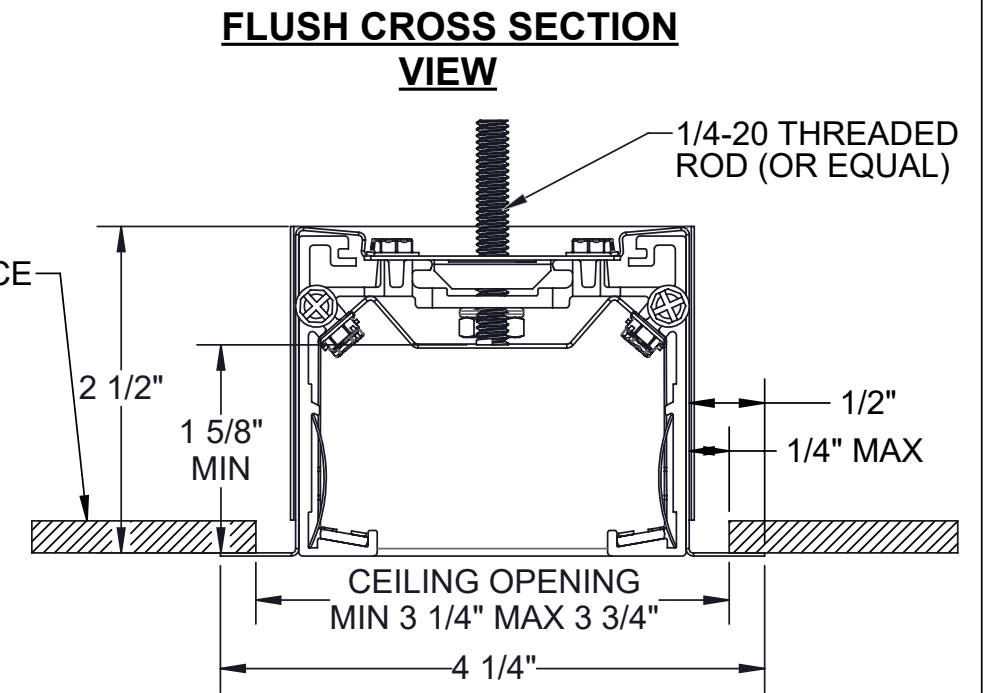
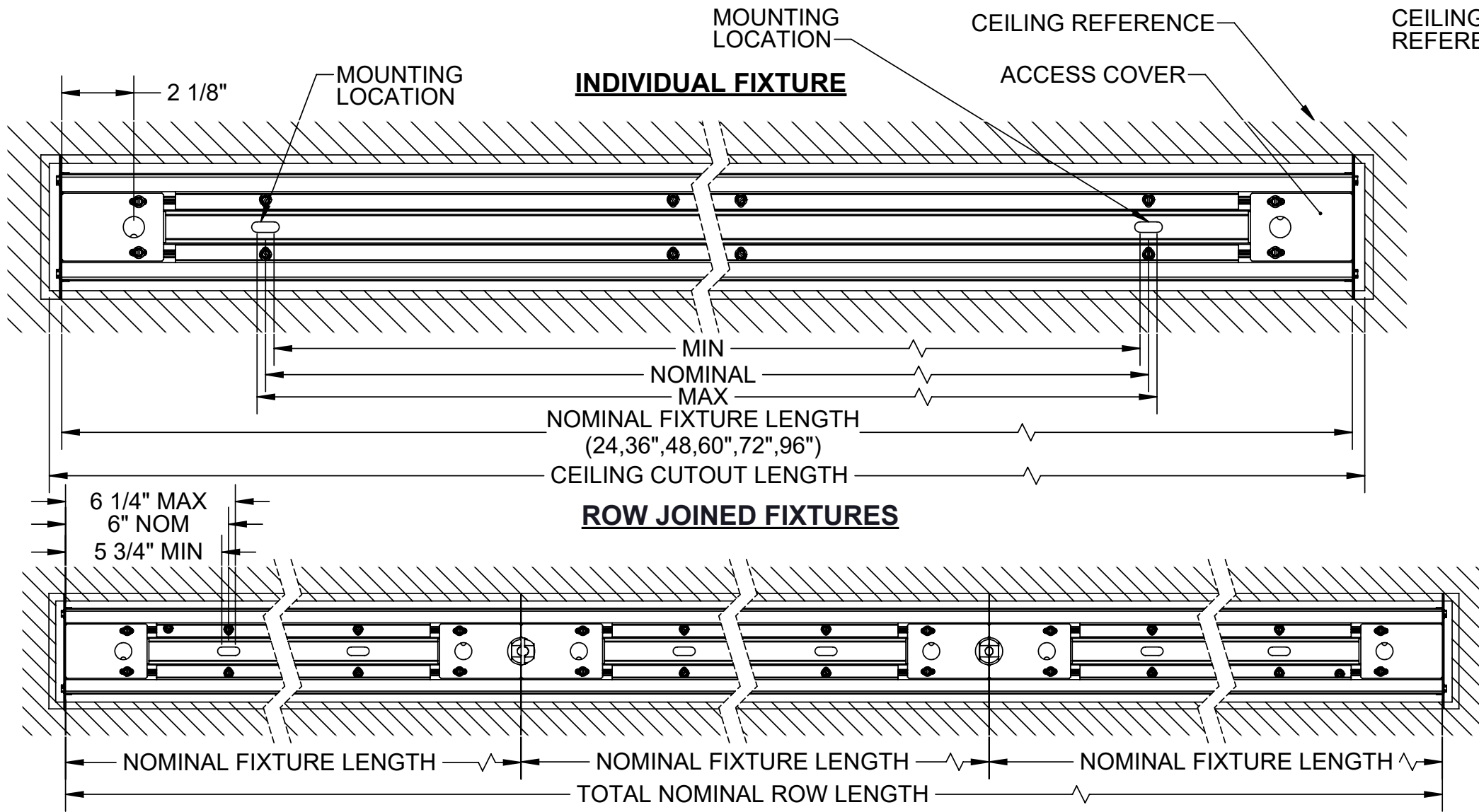


THREADED ROD DISTANCE	
MAX	FIXTURE LENGTH MINUS 11 1/2"
NOMINAL	FIXTURE LENGTH MINUS 12"
MIN	FIXTURE LENGTH MINUS 12 1/2"

CEILING CUTOUT LENGTH	
IND (FLUSH)	NOMINAL FIXTURE LENGTH PLUS 5/8"
IND (SR)	NOMINAL FIXTURE LENGTH PLUS 1 1/4"
ROW (FLUSH)	TOTAL NOMINAL ROW LENGTH PLUS 5/8"
ROW (SR)	TOTAL NOMINAL ROW LENGTH PLUS 1 1/4"



**GENERAL NOTES:**

1. REFER TO SUPPLEMENTAL REMOTE ENCLOSURE DIAGRAM FOR WIRING. ALL ENCLOSURES ARE REQUIRED TO BE INSTALLED FIRST.
2. ENSURE FIXTURE IS FLUSH TO CEILING ON ALL SIDES.
3. SUGGESTED MOUNTING METHOD FOR FIXTURE IS BY THREADED RODS (SUPPLIED BY OTHERS).

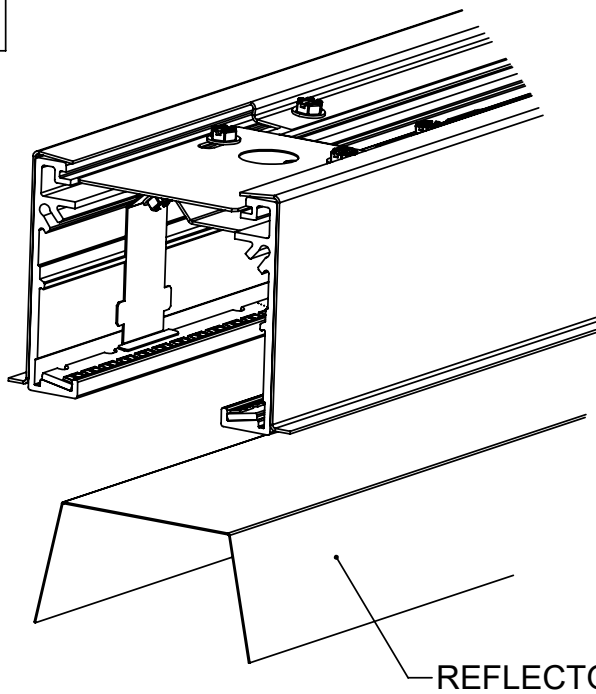
**TOOLS REQUIRED**

- 1/4" HEX DRIVER/DRILL
- 1/8" HEX KEY
- DRYWALL KNIFE/OTHER CUTTING METHOD

**SUPPLIED BY INSTALLER**

- 1/4-20 THREADED ROD (OR EQUAL)
- 1/4" DIA WASHER
- 1/4-20 HEX NUT (MATCH THREADED ROD)

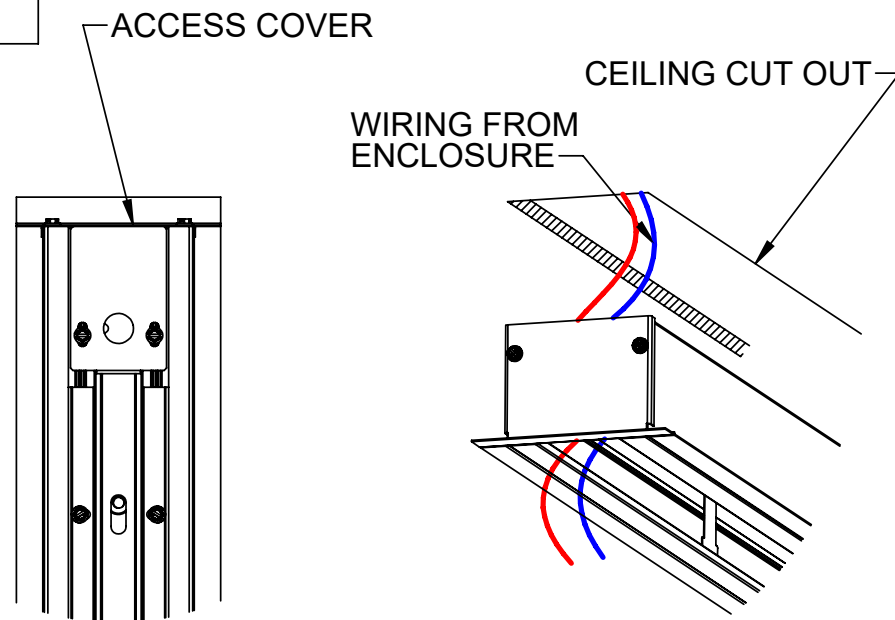
1



REFLECTOR

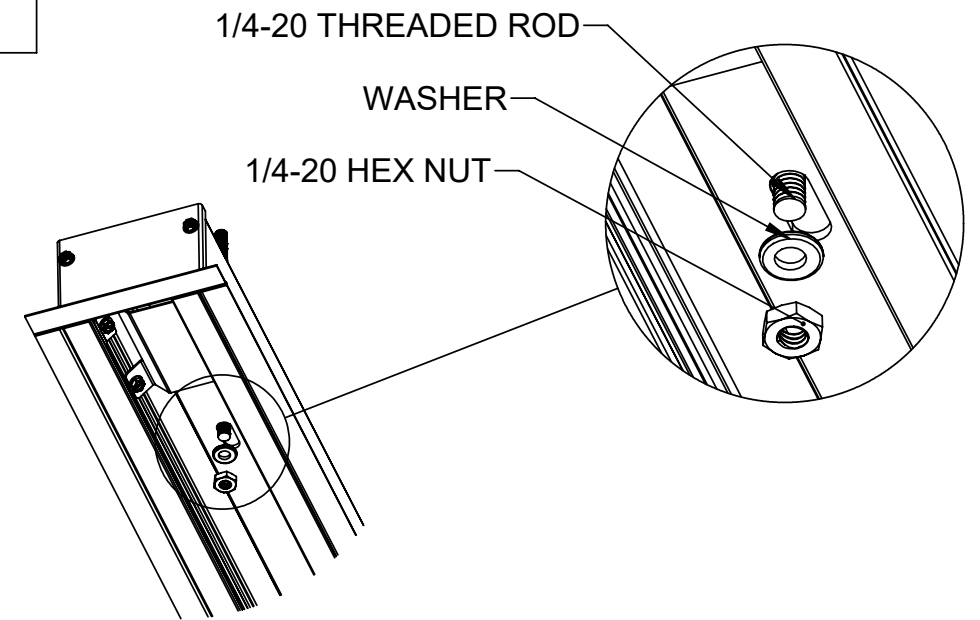
REMOVE REFLECTORS FROM FIXTURE. DO NOT REMOVE REFLECTORS FROM PROTECTIVE SLEEVE UNTIL READY TO INSTALL.

2



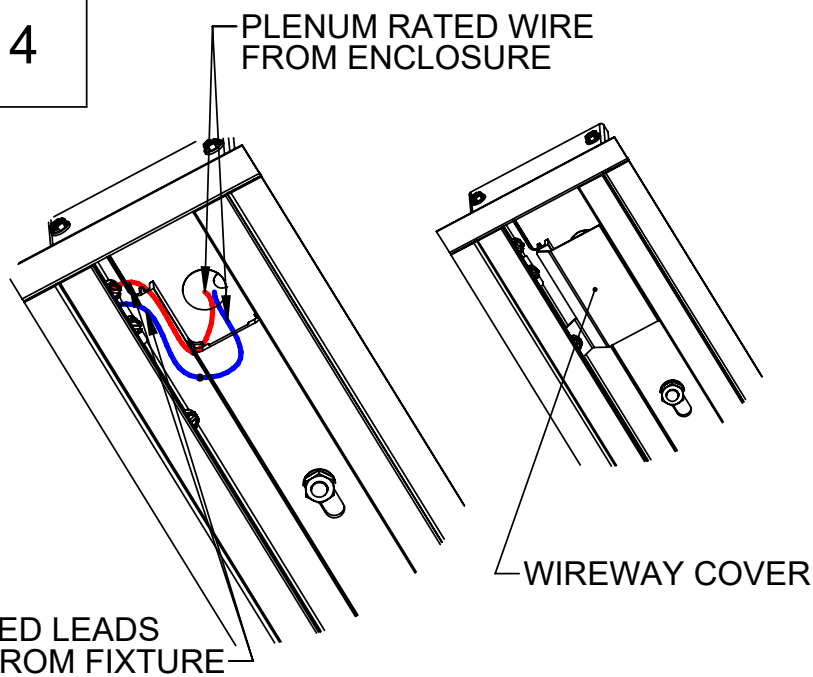
LIFT FIXTURE UP NEAR CEILING OPENING AND BRING PLENUM RATED WIRE FROM ENCLOSURE, INTO FIXTURE ACCESS COVER KO.

3



PLACE FIXTURE IN CEILING OPENING AND SECURE TO TWO PREINSTALLED THREADED RODS. REFER TO SHEET 1 FOR THREADED ROD LAYOUT. THREADED RODS CANNOT PROTRUDE INTO FIXTURE MORE THAN 3/8". OTHER MOUNTING METHODS CAN BE EXPLORED.

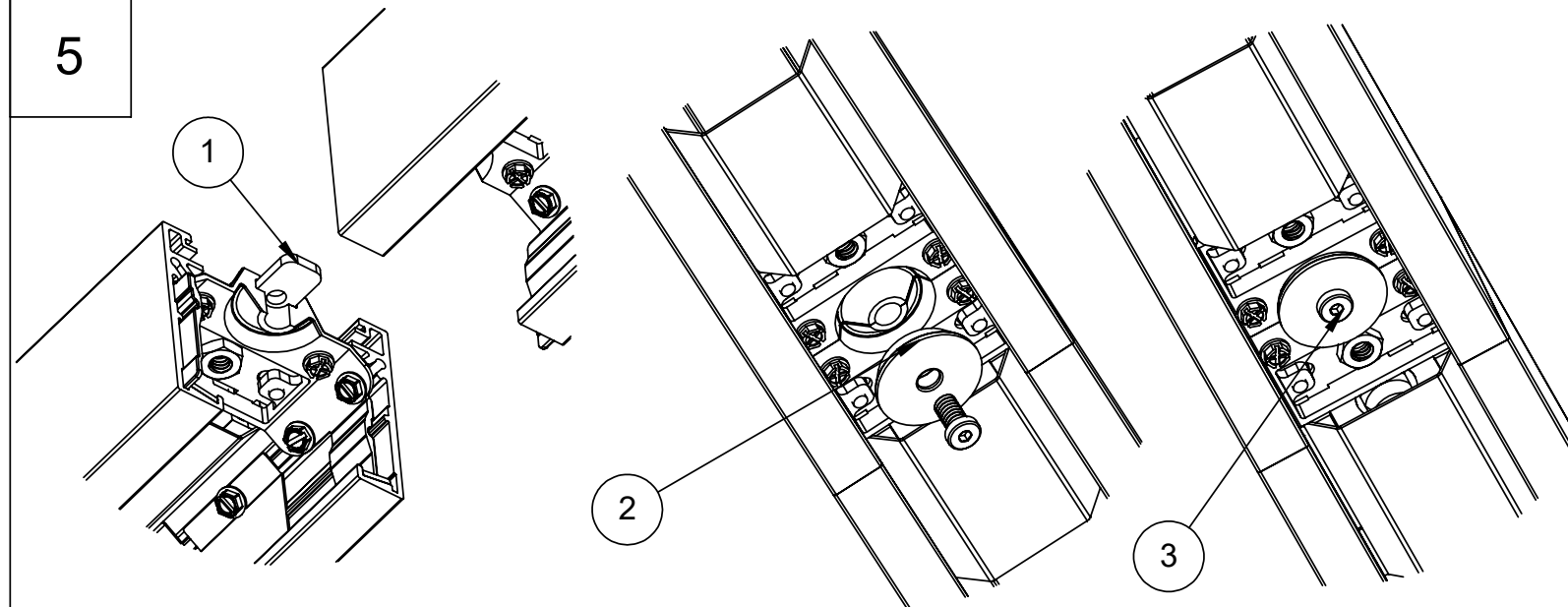
4



LED LEADS FROM FIXTURE

WIRE PLENUM RATED WIRE FROM ENCLOSURE TO FIXTURE FROM BELOW. ALL WIRES SHOULD BE TUCKED UNDER WIREWAY COVER. IF INSTALLING INDIVIDUAL FIXTURES, REMOVE PROTECTIVE SLEEVE FROM REFLECTOR AND REINSTALL.

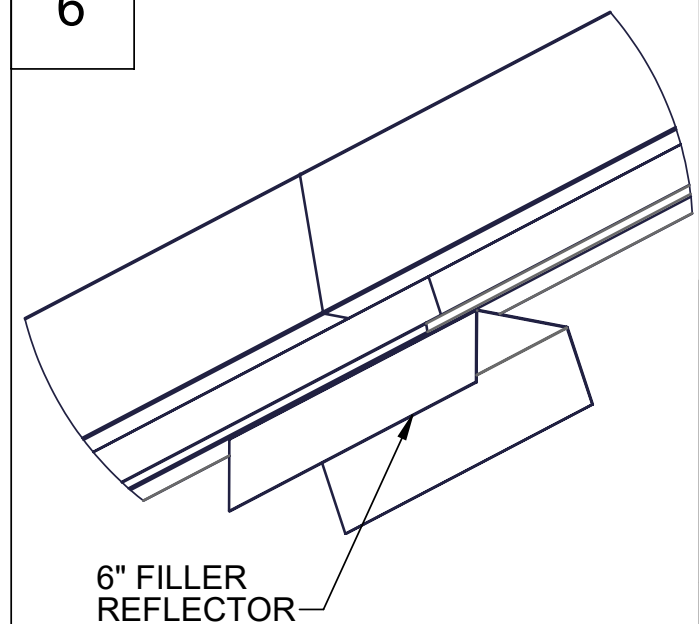
5



FOR ROW JOINING REPEAT STEPS 1 AND 2 ON NEXT FIXTURE. PLACE FLAT STRAP PIECE (1) INTO INSTALLED FIXTURE. CONNECT NEXT FIXTURE. PLACE WASHER (2) AND ROW JOINING SCREW (3) INTO FIXTURES AND SECURE USING 1/8" ALLEN KEY.

AFTER EACH FIXTURE IS JOINED. FOLLOW STEPS 3 AND 4.

6



6" FILLER REFLECTOR

REMOVE REFLECTORS FROM PROTECTIVE SLEEVES AND INSTALL IMMEDIATELY. INSTALL 6" FILLER REFLECTOR AT EVERY ROW JOIN LOCATION.