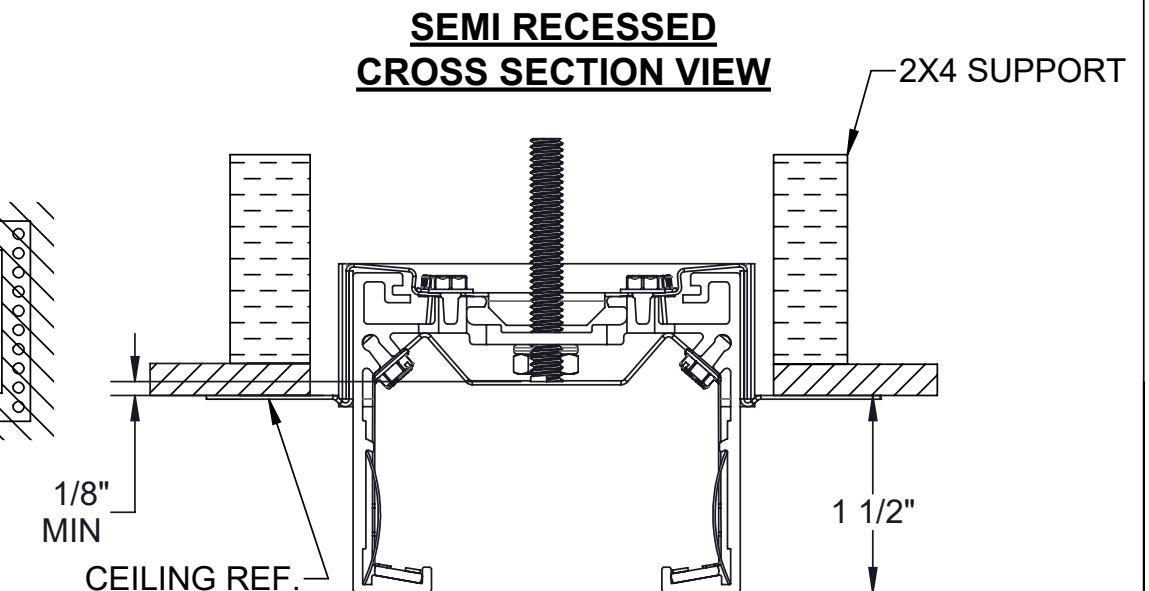
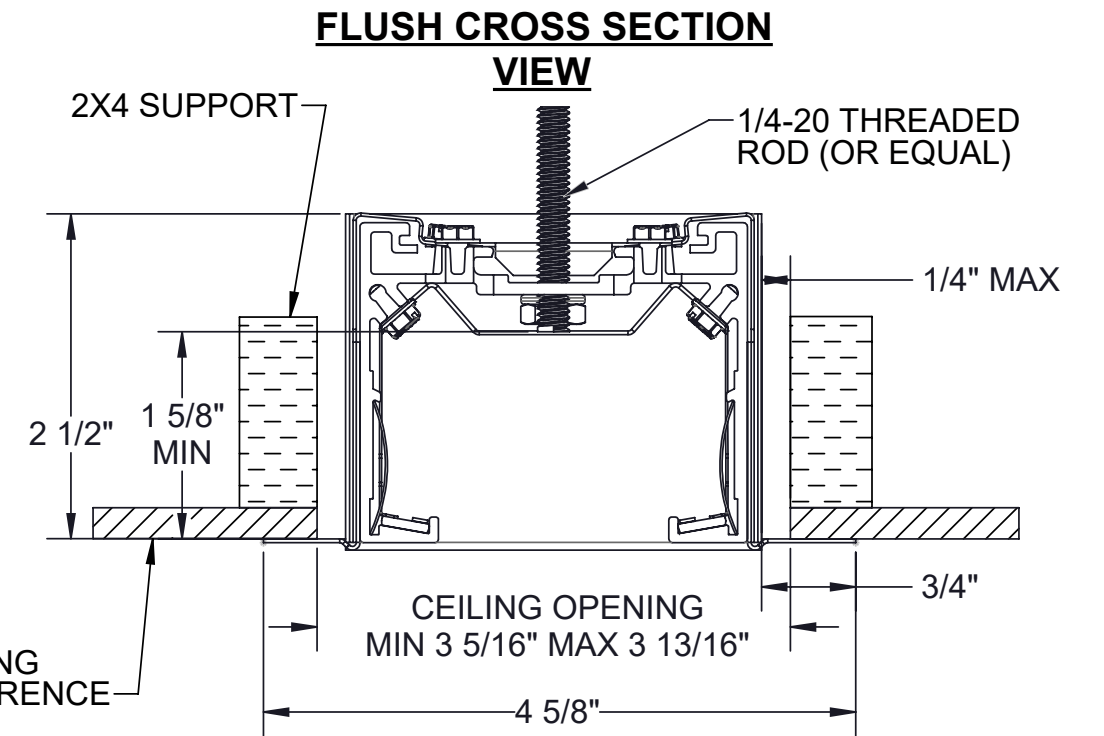
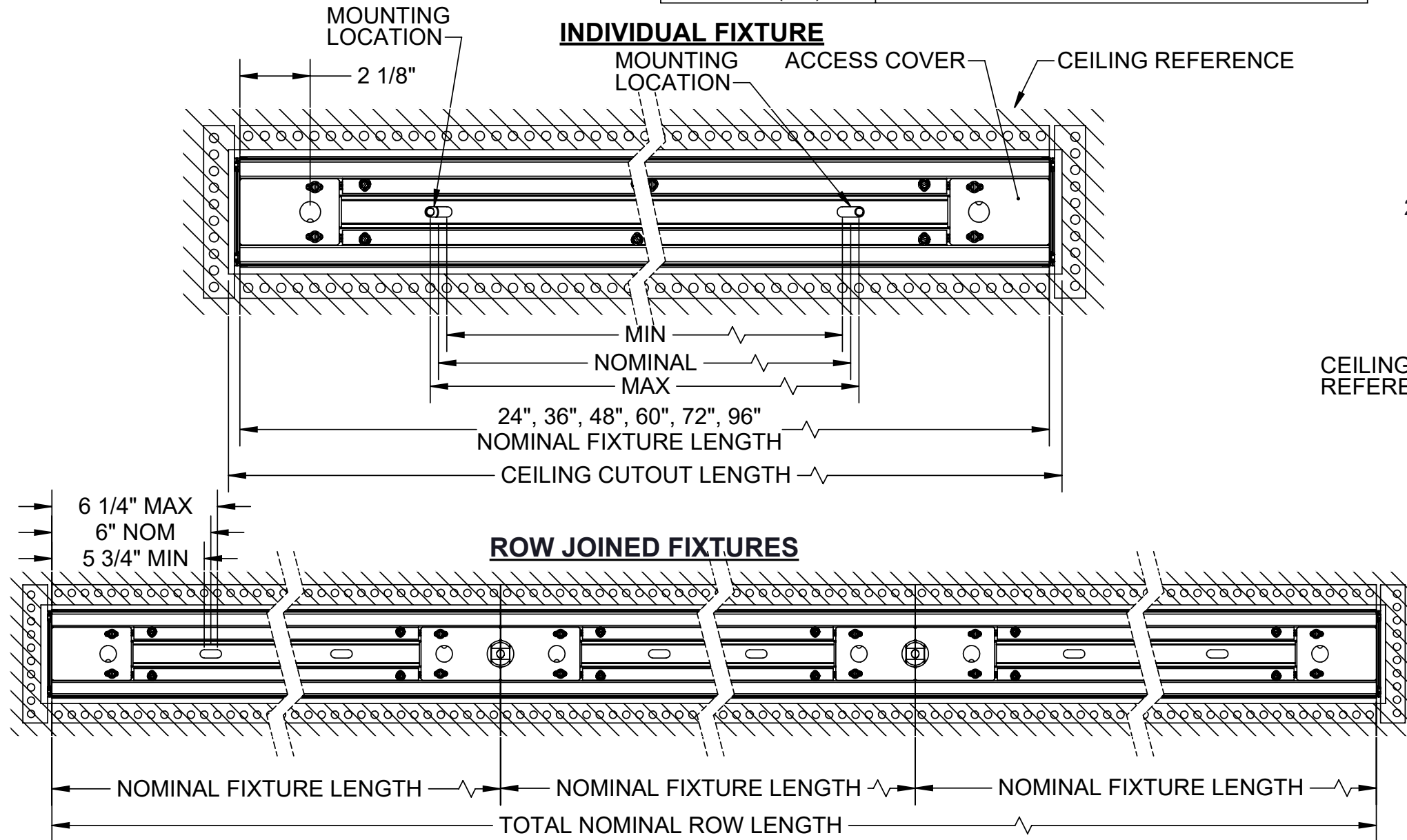


THREADED ROD DISTANCE	
MAX	FIXTURE LENGTH MINUS 11 1/2"
MIN	FIXTURE LENGTH MINUS 12 1/2"
NOMINAL	FIXTURE LENGTH MINUS 12"

CEILING CUTOUT LENGTH	
IND (FLUSH)	NOMINAL FIXTURE LENGTH PLUS 5/8"
IND (SR)	NOMINAL FIXTURE LENGTH PLUS 1 1/4"
ROW (FLUSH)	TOTAL NOMINAL ROW LENGTH PLUS 5/8"
ROW (SR)	TOTAL NOMINAL ROW LENGTH PLUS 1 1/4"



GENERAL NOTES:

1. REFER TO SUPPLEMENTAL REMOTE ENCLOSURE DIAGRAM FOR WIRING. ALL ENCLOSURES ARE REQUIRED TO BE INSTALLED FIRST.
2. ENSURE FIXTURE IS FLUSH TO CEILING ON ALL SIDES.
3. SUGGESTED MOUNTING METHOD IS TO SUPPORT FIXTURES BY THREADED RODS (SUPPLIED BY OTHERS). OTHER METHODS CAN BE EXPLORED.
4. ALL THREADED RODS NEED TO BE INSTALLED FIRST.

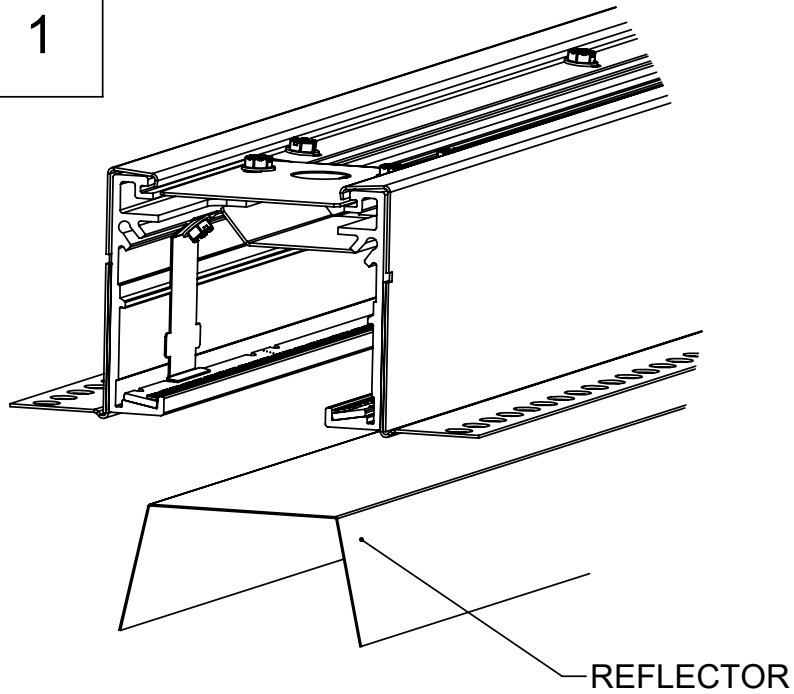
TOOLS REQUIRED

- 1/4" HEX DRIVER/DRILL
- 1/8" HEX KEY
- DRYWALL KNIFE OR OTHER CUTTING TOOL

SUPPLIED BY INSTALLER

- 1/4-20 THREADED ROD (OR EQUAL)
- DRYWALL SCREWS
- PLASTER
- 1/4" DIA WASHER
- 1/4-20 HEX NUT (MATCH THREADED ROD)

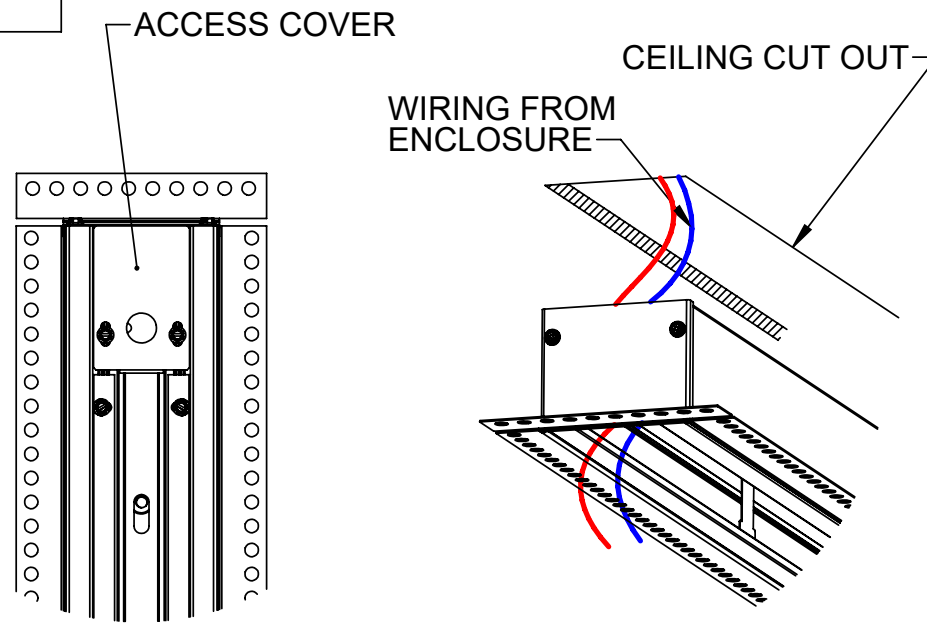
1



REFLECTOR

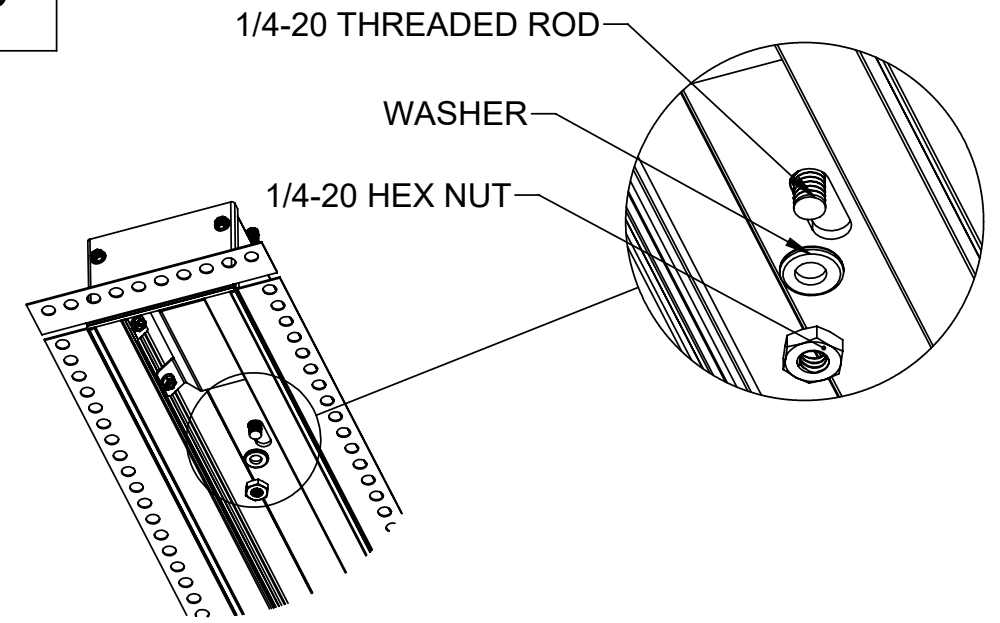
REMOVE REFLECTOR FROM FIXTURE. DO NOT REMOVE PROTECTIVE COVER UNTIL READY TO REINSTALL REFLECTOR.

2



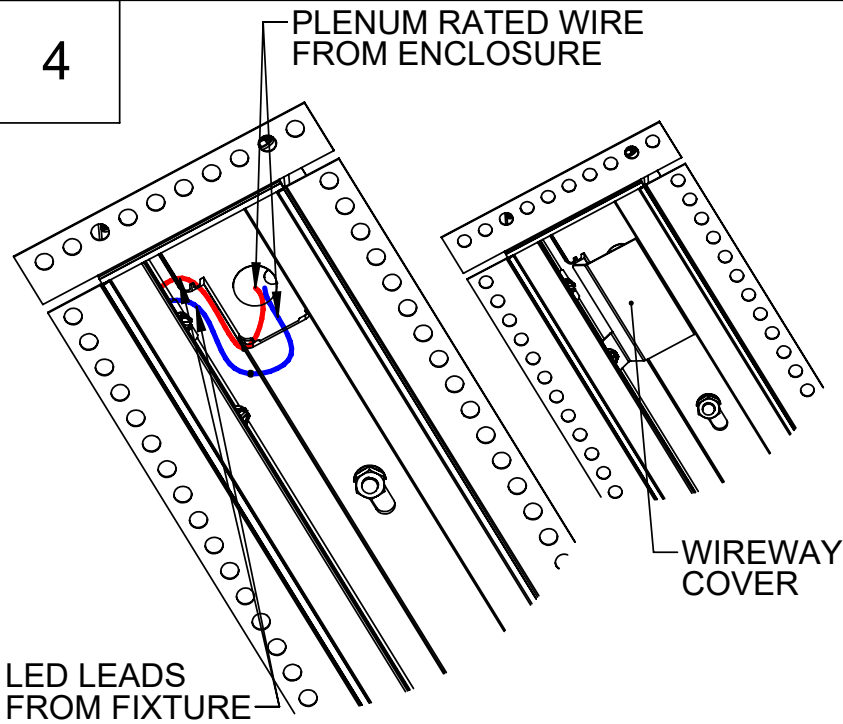
LIFT FIXTURE UP NEAR CEILING OPENING AND BRING PLENUM RATED WIRING FROM ENCLOSURE, INTO FIXTURE ACCESS COVER KO.

3



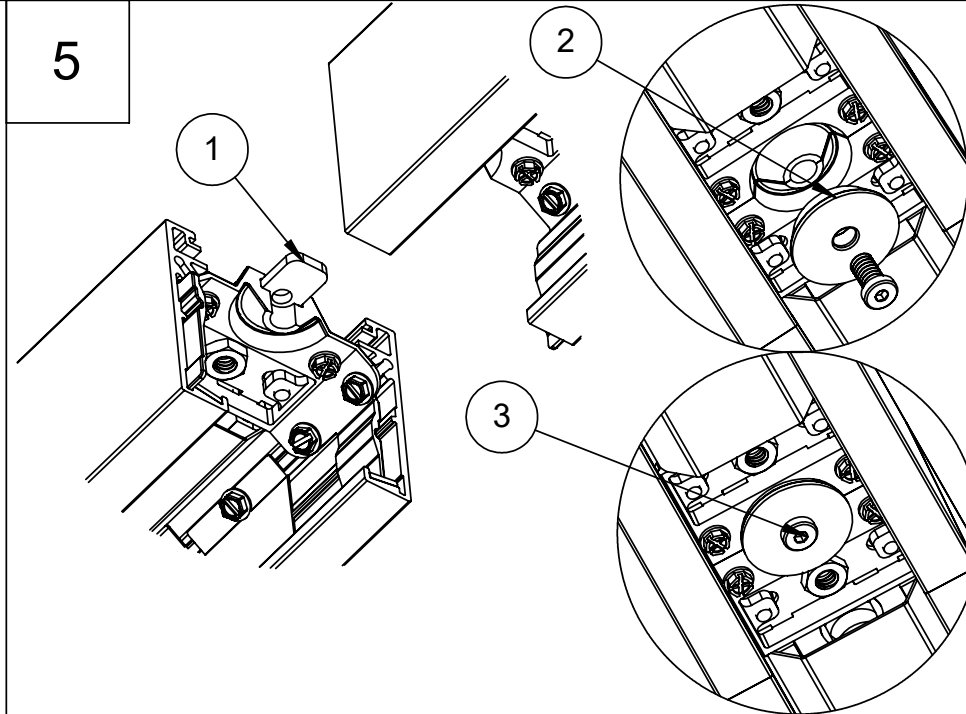
PLACE FIXTURE IN CEILING OPENING AND SECURE TO TWO PREINSTALLED THREADED RODS. REFER TO SHEET 1 FOR THREADED ROD LAYOUT. THREADED RODS CANNOT PROTRUDE INTO FIXTURE MORE THAN 3/8". OTHER MOUNTING METHODS CAN BE CONSIDERED.

4



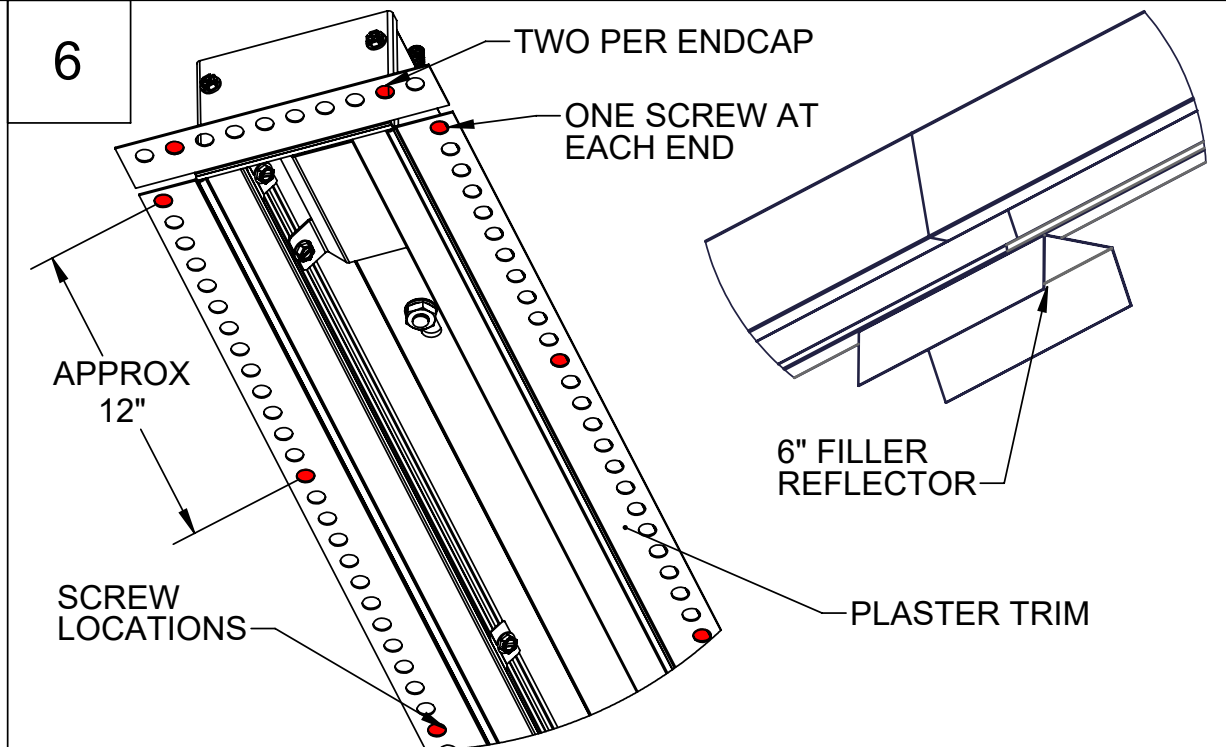
WIRE PLENUM RATED WIRE FROM ENCLOSURE TO FIXTURE FROM BELOW. ALL WIRES SHOULD BE TUCKED UNDER WIREWAY COVER. IF INSTALLING INDIVIDUAL FIXTURES, REMOVE REFLECTOR FROM PROTECTIVE SLEEVE AND IMMEDIATELY INSTALL.

5



FOR ROW JOINING REPEAT STEPS 1 AND 2 ON NEXT FIXTURE. PLACE FLAT STRAP PIECE (1) INTO INSTALLED FIXTURE. CONNECT NEXT FIXTURE. PLACE WASHER (2) AND ROW JOINING SCREW (3) INTO FIXTURES AND SECURE USING 1/8" HEX KEY. AFTER EACH FIXTURE IS JOINED. FOLLOW STEPS 3 AND 4.

6



SECURE PLASTER TRIM WITH DRYWALL SCREWS. SCREWS SHOULD BE PLACED EVERY 12", WITH ONE ON EACH END AND TWO PER ENDCAP. APPLY PLASTER UP TO FIXTURE FILLING ANY HOLES. ONCE THE PLASTER IS DRIED AND SANDED, REMOVE REFLECTOR FROM PROTECTIVE SLEEVE AND IMMEDIATELY INSTALL. INSTALL 6" FILLER REFLECTOR AT EVERY ROW JOIN LOCATION.