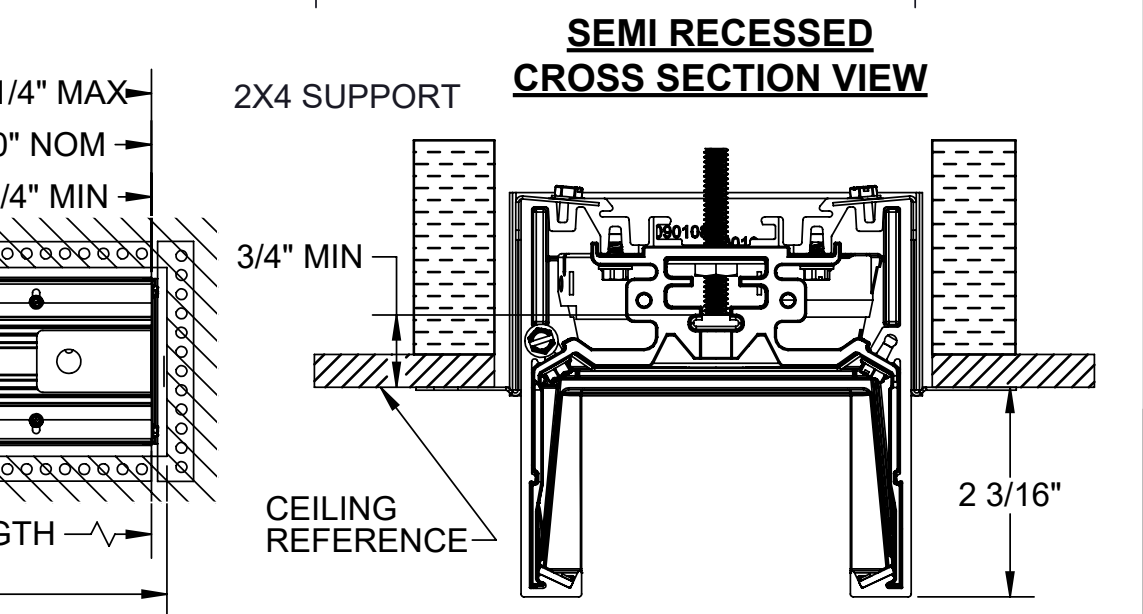
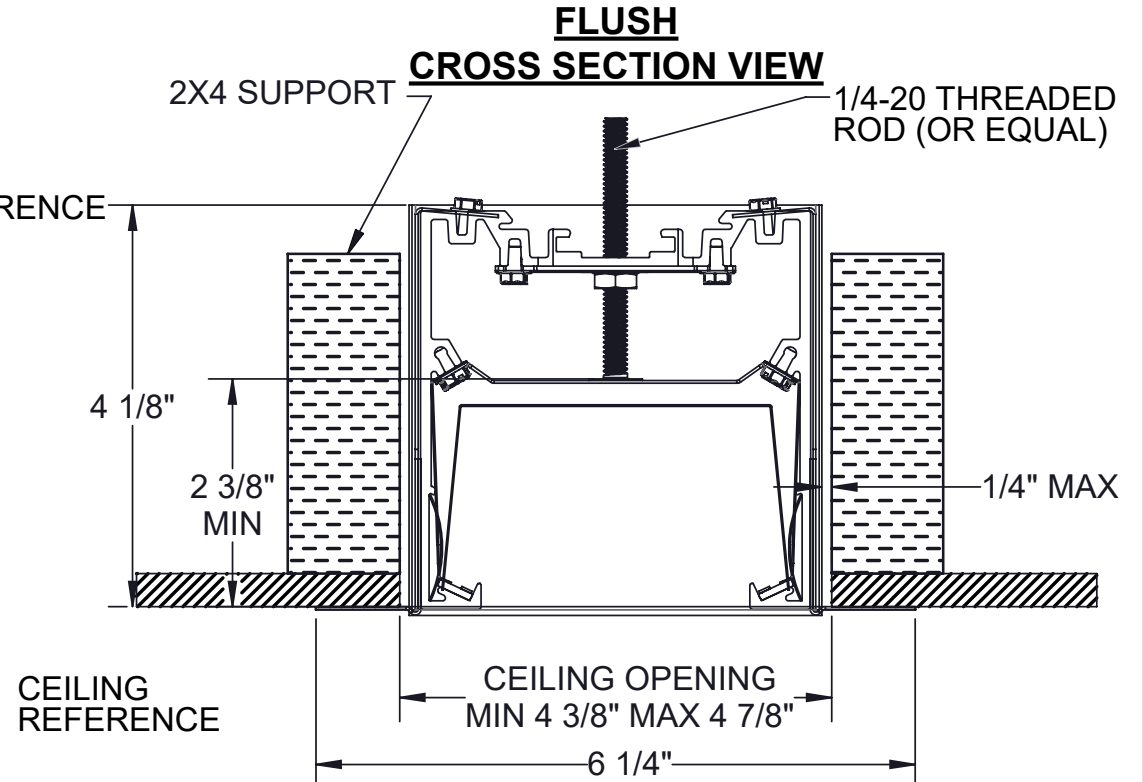
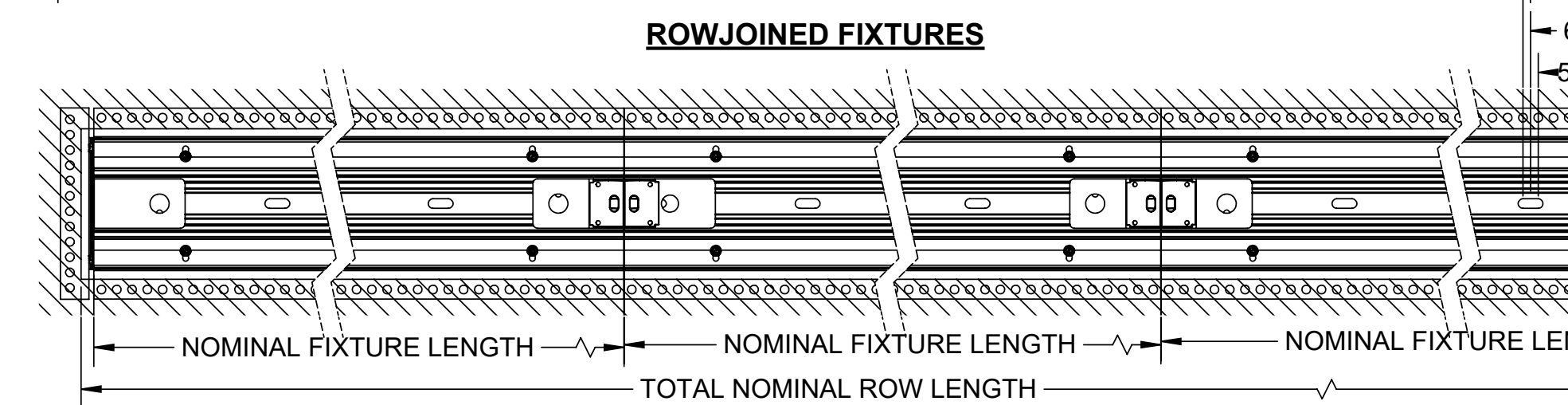
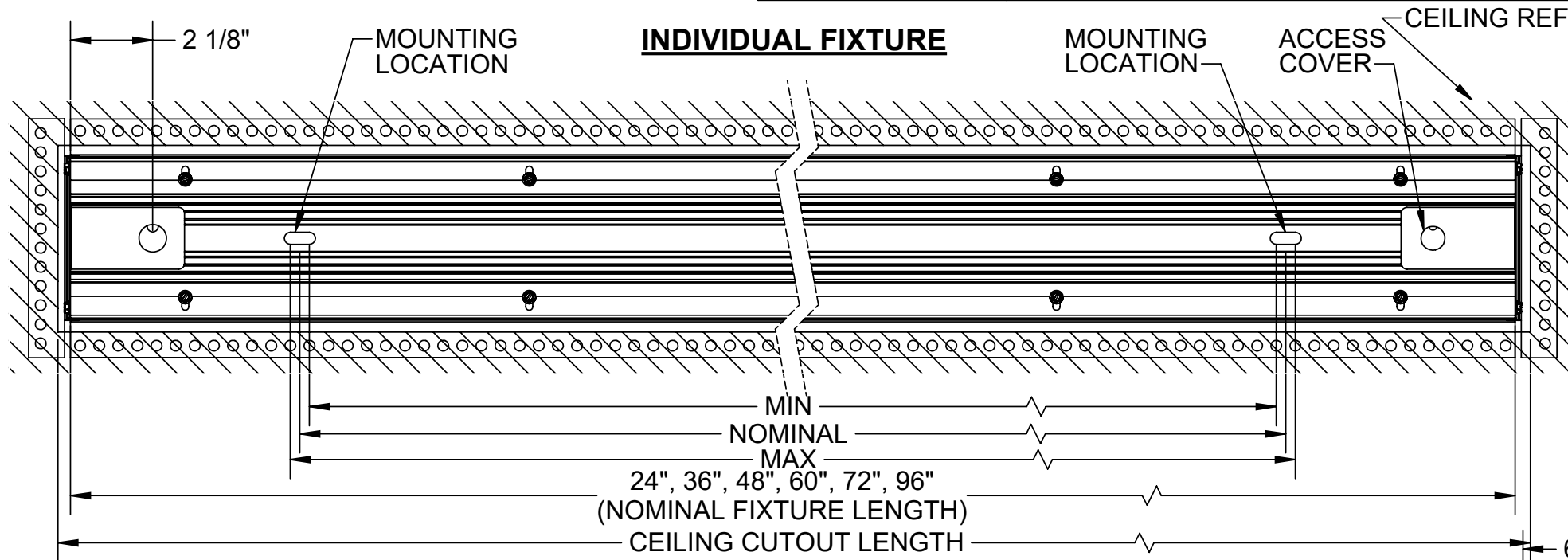


THREADED ROD DISTANCE	
MAX	FIXTURE LENGTH MINUS 11 1/2"
MIN	FIXTURE LENGTH MINUS 12 1/2"
NOMINAL	FIXTURE LENGTH MINUS 12"

CEILING CUTOUT LENGTH	
IND (FLUSH)	NOMINAL FIXTURE LENGTH PLUS 5/8"
IND (SR)	NOMINAL FIXTURE LENGTH PLUS 1 1/4"
ROW (FLUSH)	TOTAL NOMINAL ROW LENGTH PLUS 5/8"
ROW (SR)	TOTAL NOMINAL ROW LENGTH PLUS 1 1/4"



GENERAL NOTES:

1. REFER TO SUPPLEMENTAL FIXTURE CIRCUIT WIRING, DOCUMENT 510401, FOR WIRING.
2. ENSURE FIXTURE IS FLUSH TO CEILING.
3. SUGGESTED MOUNTING METHOD IS TO SUPPORT FIXTURES BY THREADED RODS (SUPPLIE DBY OTHER). OTHER METHODS CAN BE EXPLORED.
4. ALL THREADED RODS NEED TO BE INSTALLED FIRST.

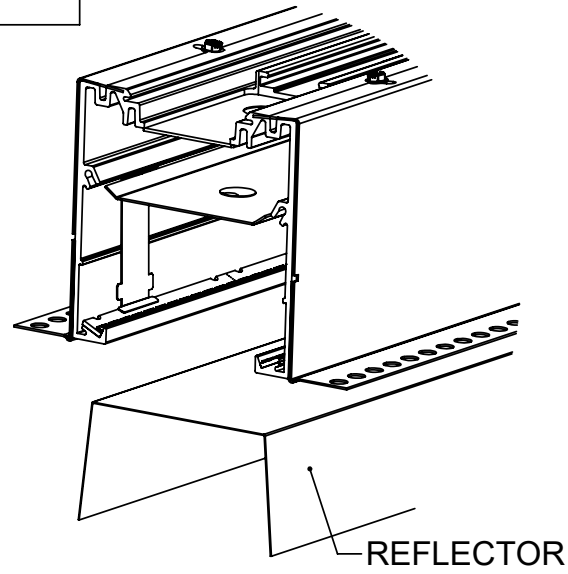
TOOLS REQUIRED

- 1/4" HEX DRIVER/DRILL
- 1/8" HEX KEY
- DRYWALL KNIFE OR OTHER CUTTING TOOL

SUPPLIED BY INSTALLER

- 1/4-20 THREADED ROD (OR EQUAL)
- DRYWALL SCREWS
- PLASTER
- 1/4" DIA WASHER
- 1/4-20 HEX NUT (MATCH THREADED ROD)

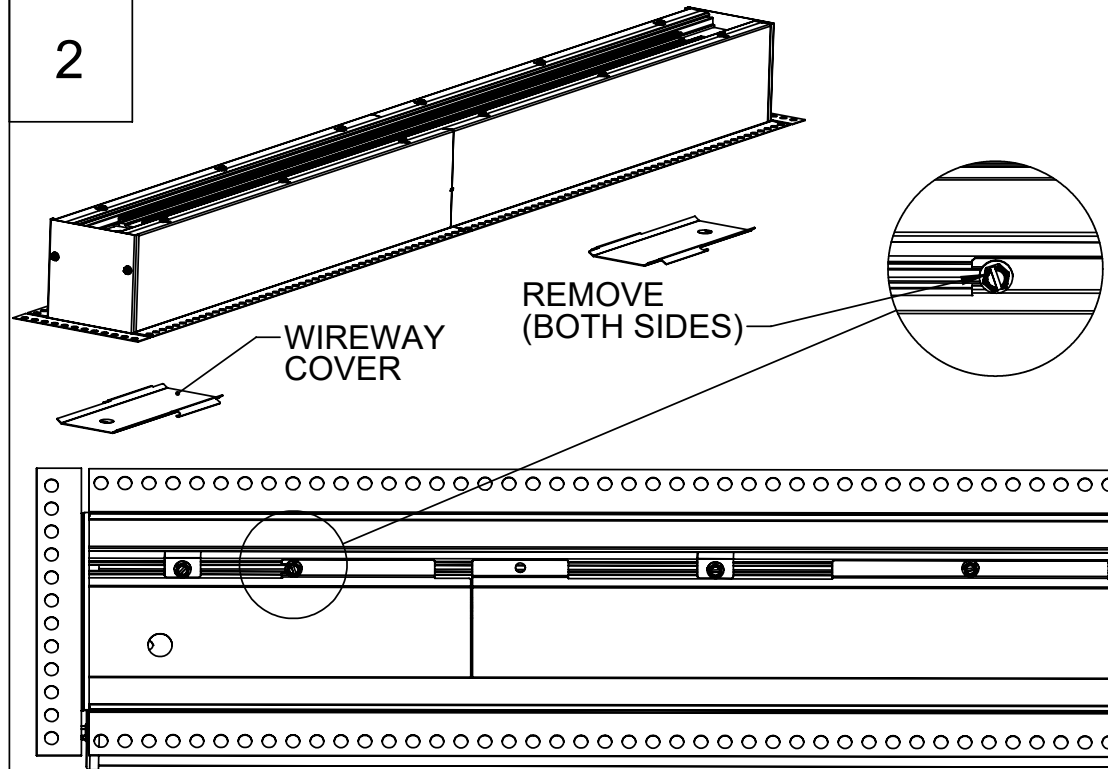
1



REFLECTOR

REMOVE REFLECTOR FROM FIXTURE. REMOVE REFLECTOR FROM PROTECTIVE SLEEVE ONLY WHEN READY TO REINSTALL.

2

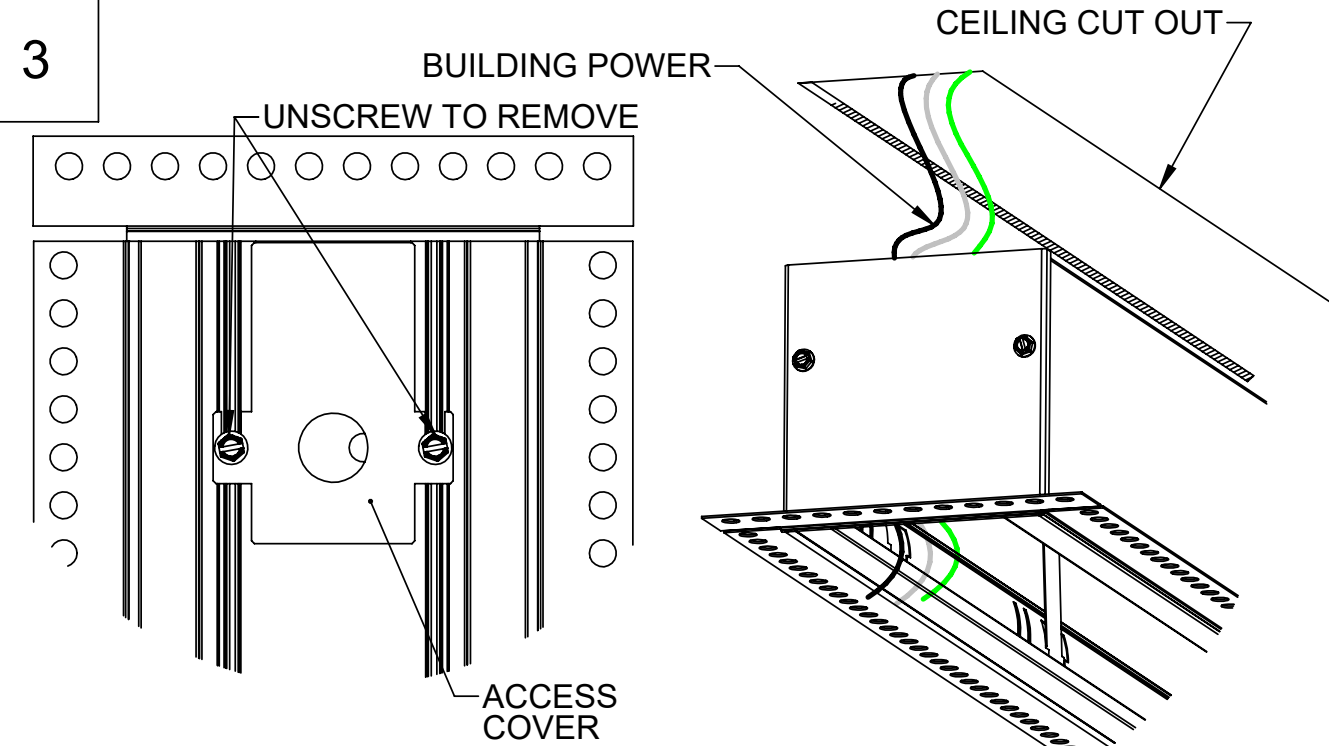


WIREWAY COVER

REMOVE (BOTH SIDES)

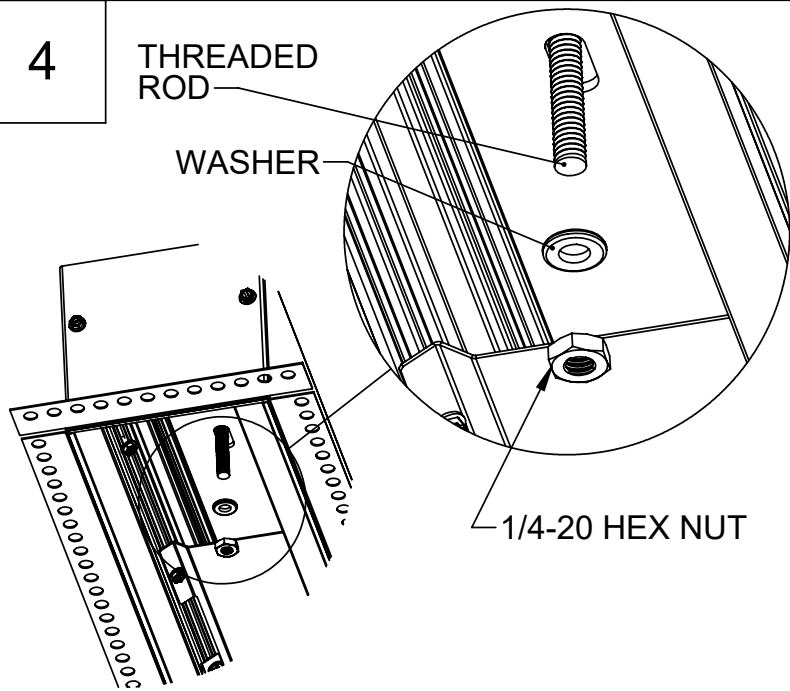
REMOVE WIREWAY COVERS TO ACCESS MOUNTING LOCATION.

3



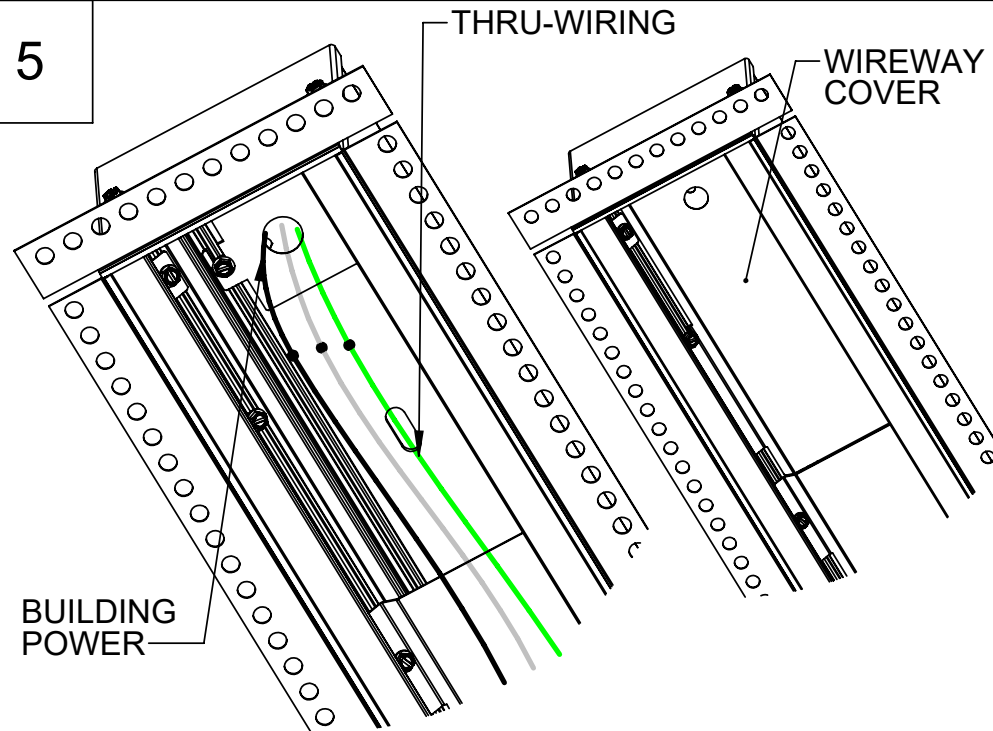
LIFT FIXTURE UP NEAR CEILING OPENING. FOR INDIVIDUAL AND END OF ROW LEFT FIXTURES, BRING BUILDING POWER INTO FIXTURES' ACCESS COVER. COVER CAN BE REMOVED FROM BELOW FOR SPACE.

4



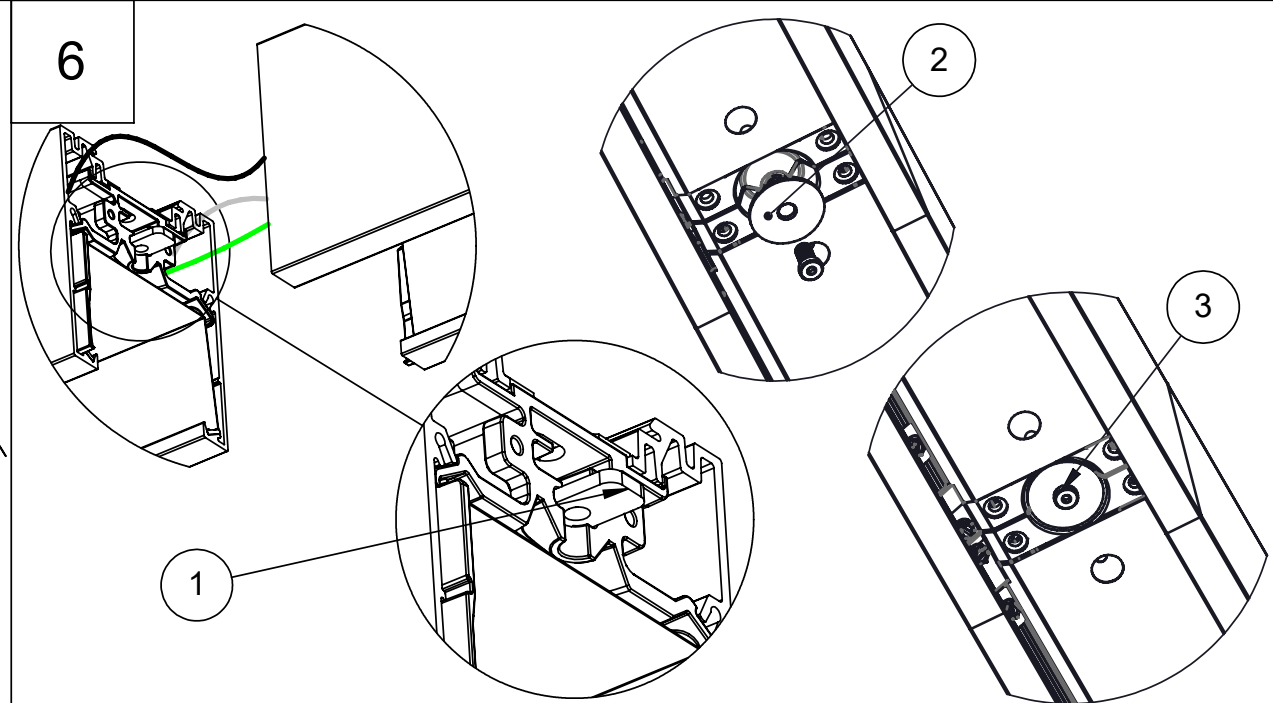
PLACE FIXTURE OVER CEILING OPENING AND SECURE TO TWO PREINSTALLED THREADED RODS. REFER TO SHEET 1 FOR THREADED ROD LAYOUT. OTHER METHODS CAN BE EXPLORED TO MOUNT FIXTURE.

5



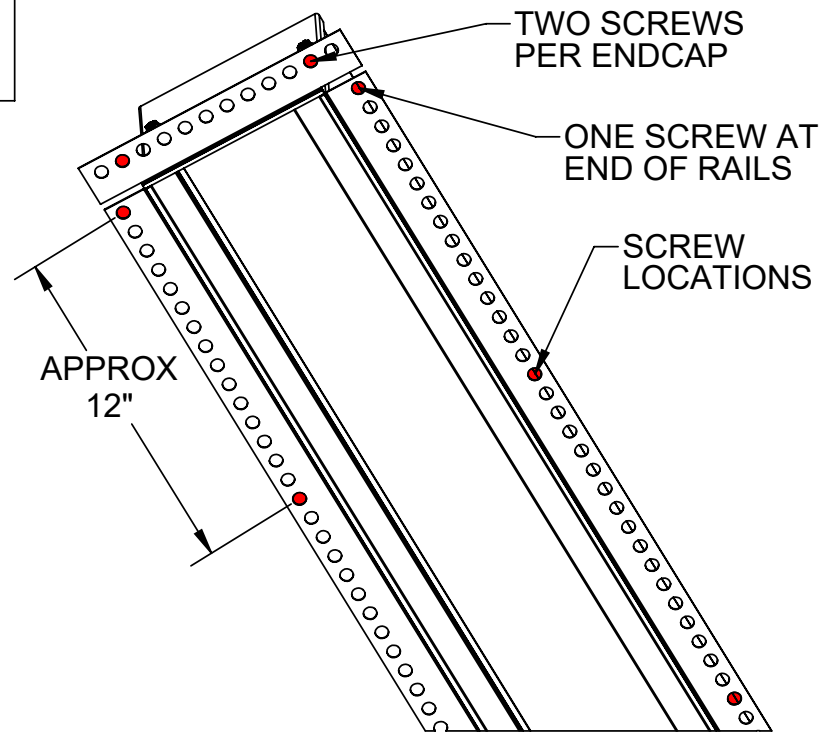
WIRE BUILDING POWER TO FIXTURE FROM BELOW. IF INSTALLING INDIVIDUAL FIXTURES, REPLACE WIREWAY COVERS AND REFLECTOR IN THAT ORDER. ENSURE CONNECTIONS ARE BEHIND WIREWAY COVERS. DRIVER COVER HIDDEN IN VIEW.

6



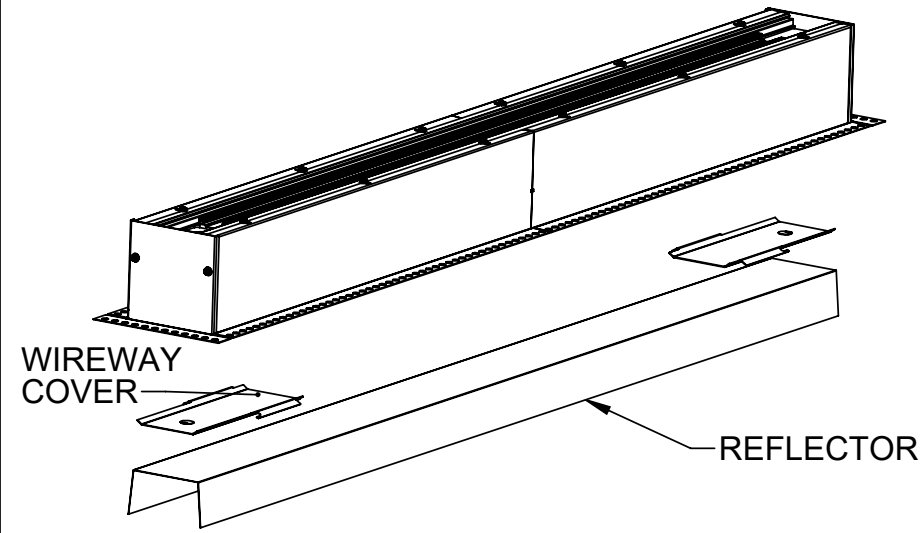
FOR ROW JOINING, REPEAT STEPS 1 AND 2 ON NEXT FIXTURE. PLACE FLAT STRAP PIECE (1) INTO INSTALLED FIXTURE. CONNECT THRU WIRING TO NEXT FIXTURE. CONNECT FIXTURES TOGETHER. PLACE WASHER (2) AND ROW JOINING SCREW (3) INTO FIXTURES AND SECURE USING 1/8" ALLEN KEY. FOLLOW STEP 4 AFTER EACH FIXTURE IS JOINED. REPEAT UNTIL ROW IS INSTALLED.

7



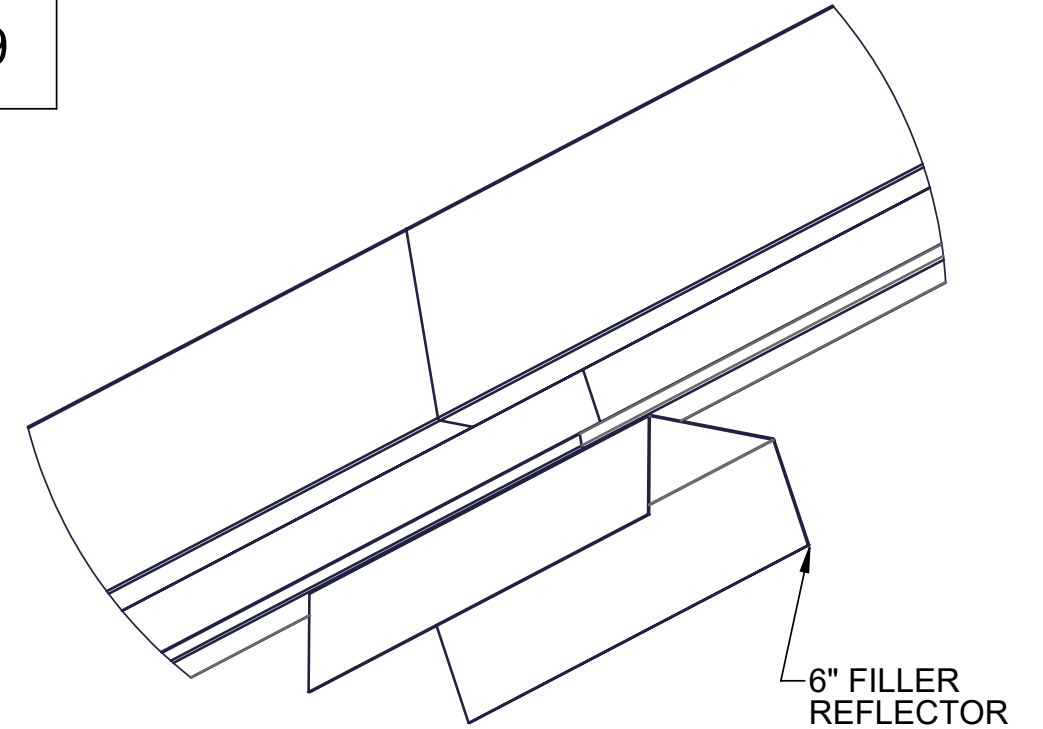
SECURE PLASTER TRIM WITH DRYWALL SCREWS. SCREWS SHOULD BE PLACED EVERY 12", WITH ONE ON EACH END OF THE RAILS AND TWO ON EACH ENDCAP. APPLY PLASTER UP TO FIXTURE.

8



REPLACE ALL WIREWAY COVERS. AFTER PLASTER DRIES, REMOVE REFLECTORS FORM THEIR PROTECTIVE SLEEVES AND IMMEDIATLEY REINSTALL.

9



INSTALL 6" FILLER REFLECTOR AT EVERY ROW JOINING LOCATION.