

MAX WIRE LENGTH FROM ENCLOSURE TO FIXTURE	
WIRE GAUGE	MAX DISTANCE
18GA	33FT
16GA	53FT
14GA	84FT
12GA	134FT

**GENERAL NOTES:**

- 1) CANOPY, AND NECK COMPONENTS USED FOR WIRING ENCLOSURE TO PENDANT FIXTURES ONLY.
- 2) MOUNTING AND DIMENSIONS ARE ACCURATE FOR ALL T-BAR TYPES.
- 3) MOUNT ENCLOSURE BEFORE CUTTING CEILING TILE.
- 4) ENCLOSURE COMPONENTS MAY VARY BASED ON FIXTURE NEEDS AND MOUNTING LOCATION. MAXIMUM COMPONENTS SHOWN.
- 5) ENCLOSURE SIZE SHOWN IN THIS INSTALLATION GUIDE MAY DIFFER FROM YOUR PRODUCT. INSTALLATION IS THE SAME FOR BOTH SIZES, REFER TO SHEET 1 FOR YOUR PRODUCTS DIMENSIONS.
- 6) ENCLOSURE NEEDS TO BE ACCESSIBLE AFTER INSTALLATION.
- 7) READ ENCLOSURE INSTRUCTIONS AND FIXTURE INSTRUCTIONS COMPLETELY BEFORE INSTALLING.
- 8) REFER TO MAXIMUM WIRE LENGTH TABLE BEFORE INSTALLING.

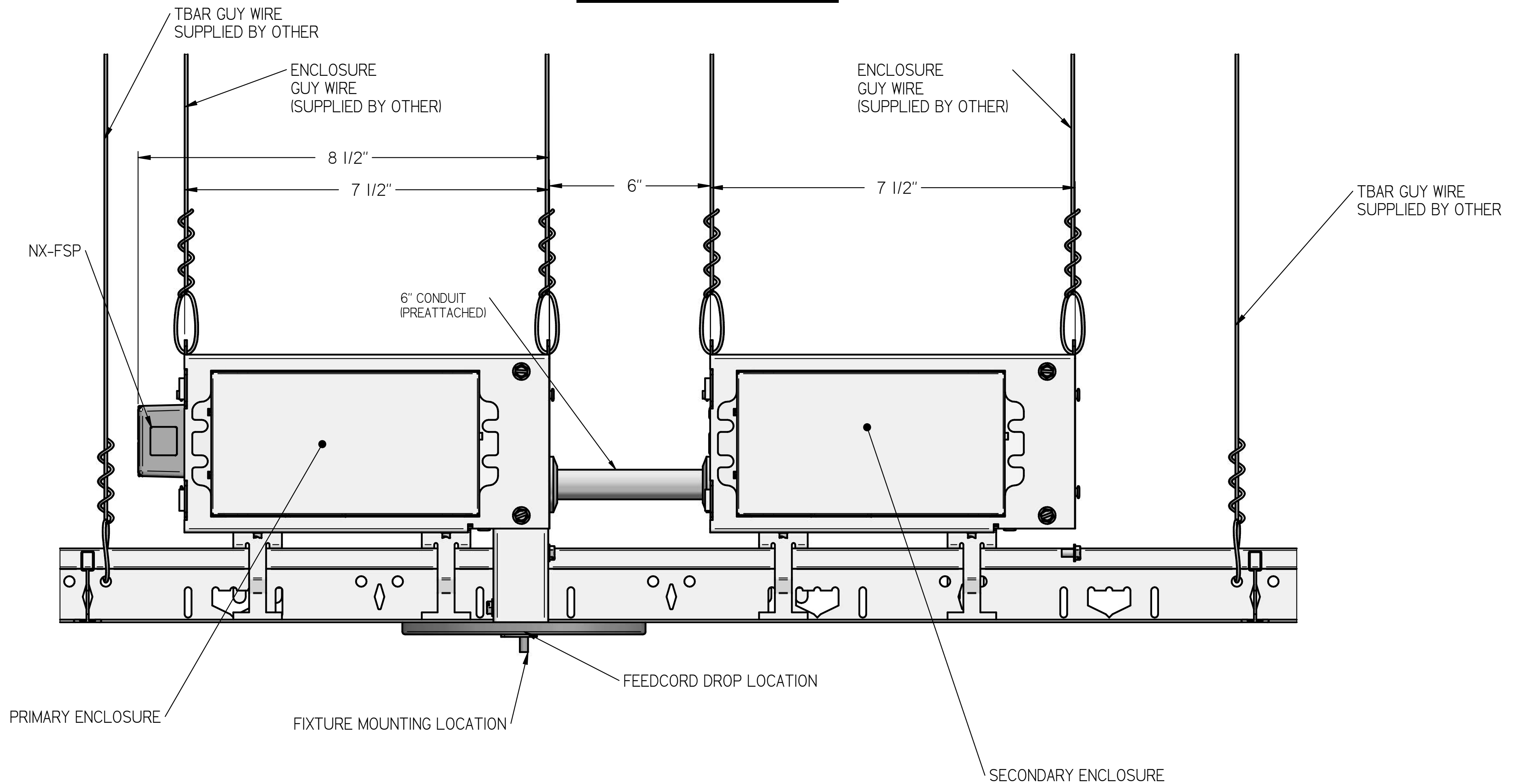
**TOOLS REQUIRED**

- 1/4" HEX DRIVER/DRILL
- DRYWALL KNIFE/OTHER CUTTING METHOD FOR CEILING TILES

**SUPPLIED BY INSTALLER**

- GUY WIRE (2 PER ENCLOSURE)
- PLENUM RATED WIRE (AS NEEDED)
- CENTER TILE JBOX MOUNT (IF APPLICABLE)
- UP TO 4 WIRE CONNECTORS (LCB CONNECTIONS)

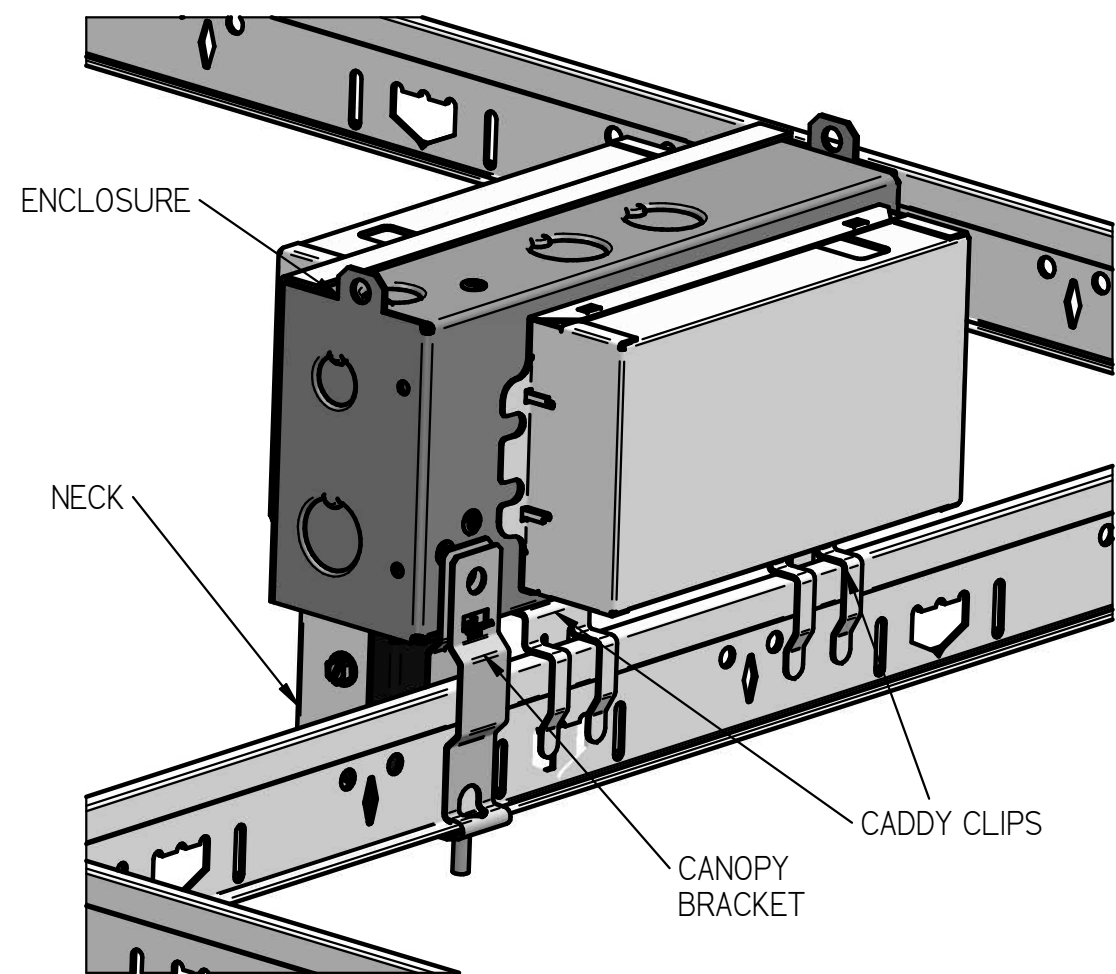
## DUAL ENCLOSURE



**GENERAL NOTES:**

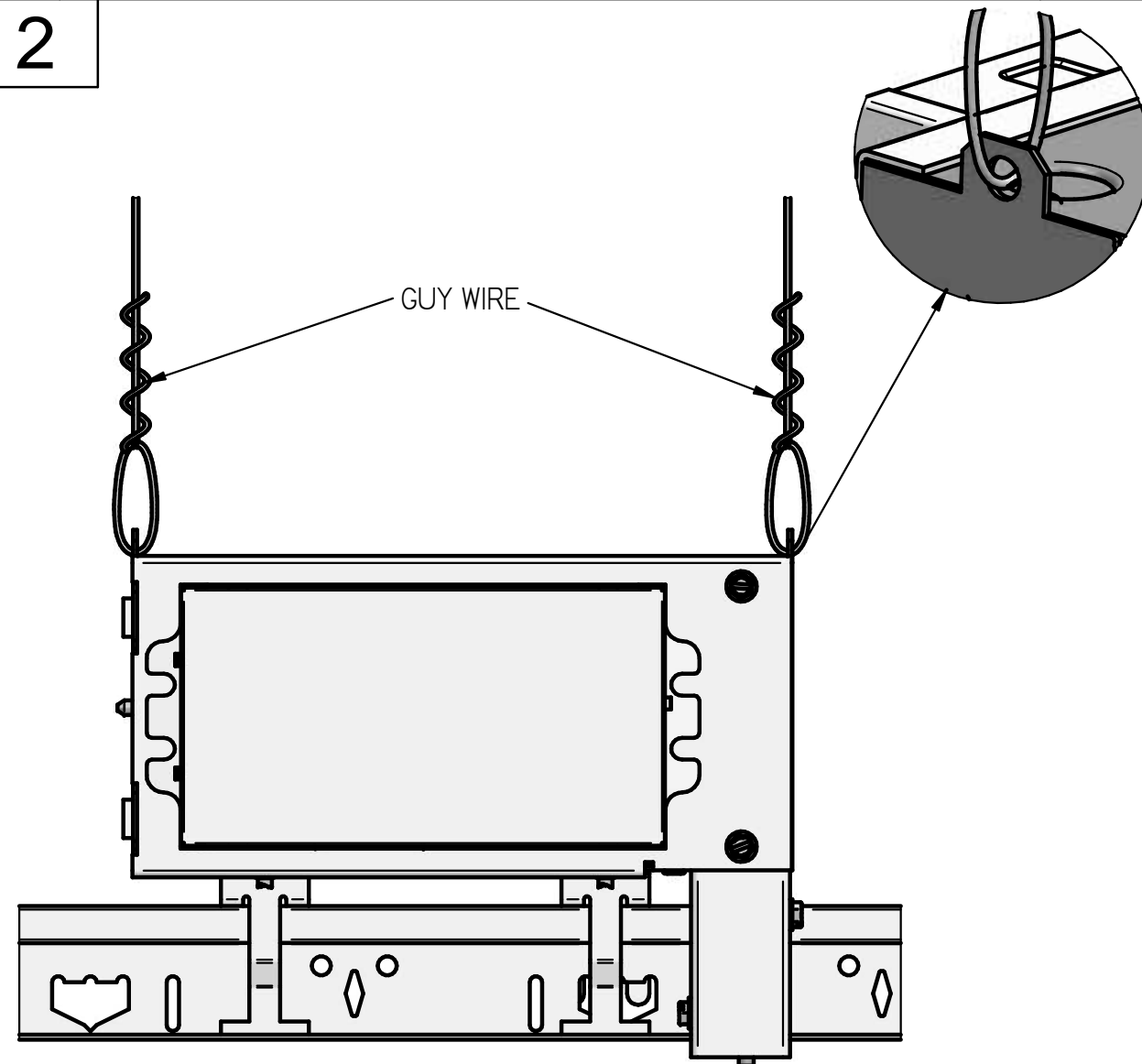
- 1) DUAL ENCLOSURES MAY BE NEEDED BASED ON THEIR FIXTURES NEEDS
- 2) ONLY THE PRIMARY ENCLOSURE NEEDS TO BE OPENED FOR BUILDING WIRING.
- 3) ENCLOSURE COMPONENTS MAY VARY BASED ON FIXTURE NEEDS AND MOUNTING LOCATION. MAXIMUM COMPONENTS SHOWN.
- 4) ENCLOSURE NEEDS TO BE ACCESSIBLE AFTER INSTALLATION.
- 5) READ ENCLOSURE INSTRUCTIONS AND FIXTURE INSTRUCTIONS COMPLETELY BEFORE INSTALLING.
- 6) THE DUAL ENCLOSURE FOLLOWS THE SAME INSTALLATION AS THE SINGLE SMALL AND LARGE ENCLOSURES.
- 7) WHEN DUAL FEEDS ARE REQUIRED, INSTALL SIMILAR TO THE LARGE ENCLOSURE, SHOWN ON SHEET 5.

1



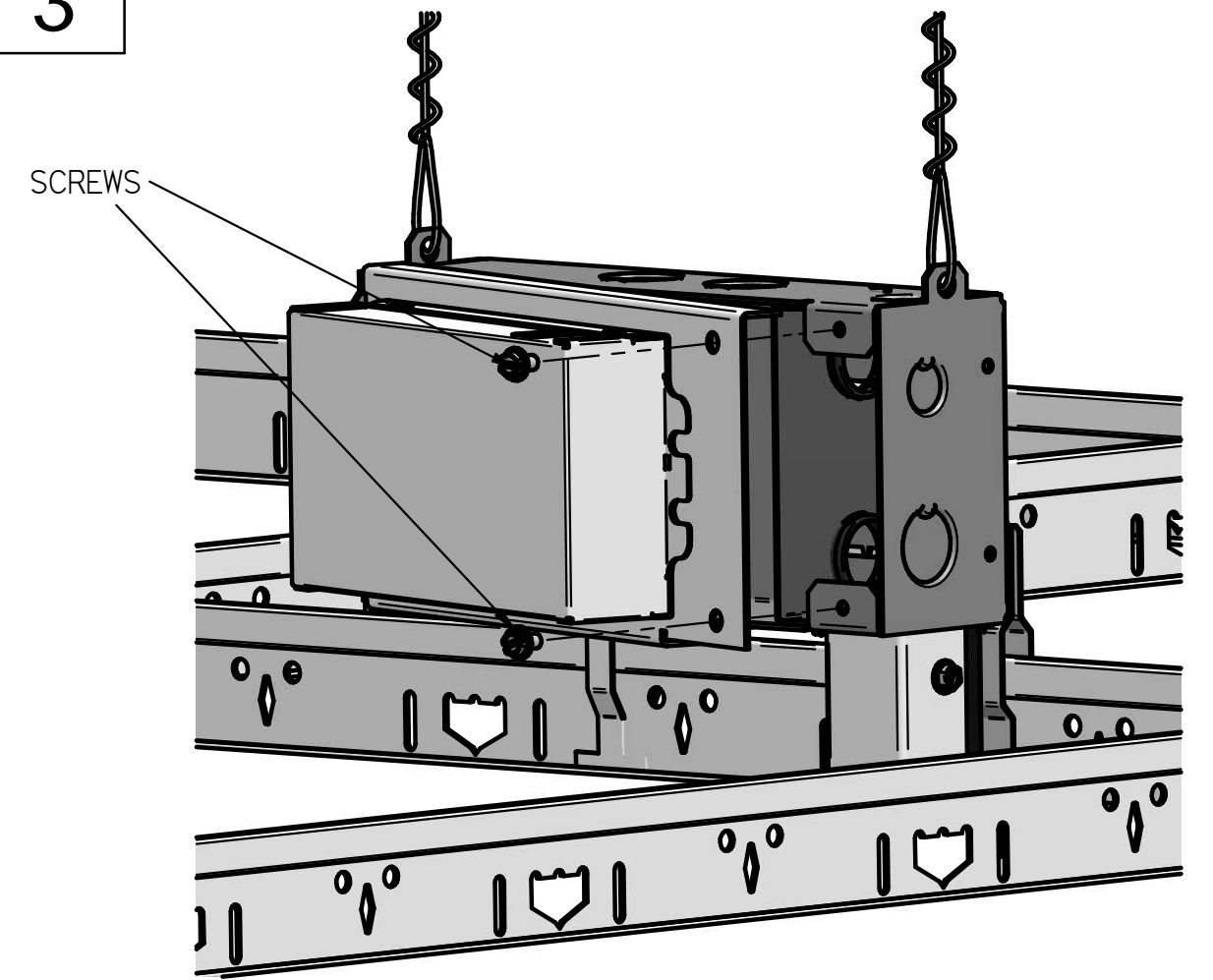
REMOVE CEILING TILE UNDER DESIRED ENCLOSURE LOCATION. MOUNT ENCLOSURE AND CANOPY BRACKET ALONG TBAR. REFER TO DETAIL A ON SHEET 1 FOR TBAR CLIP MOUNTING. **CANOPY BRACKET AND NECK ONLY USED FOR PENDANT FIXTURES.**

2



ATTACH THE GUY WIRE (BY SUPPLIER) TO THE TWO SUPPORT LOCATION. REFER TO SHEET 1 FOR MOUNTING DISTANCE WITH THE RESPECTIVE ENCLOSURE SIZE.

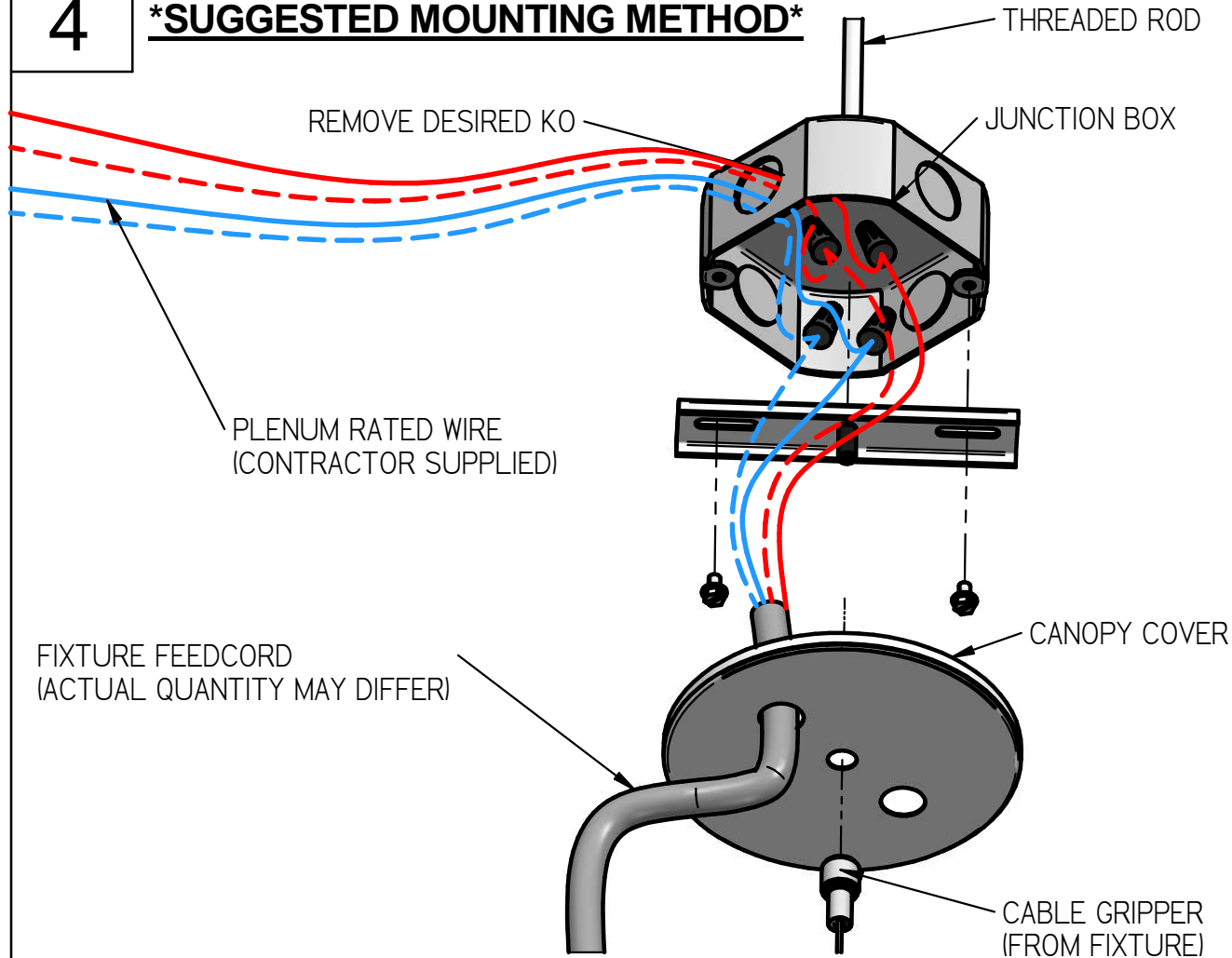
3



REMOVE SCREWS AND COVER WITH THE 1/4" SOCKET. **DO NOT TUG ON COVER OR PULL TOO FAR AWAY FROM ENCLOSURE.**

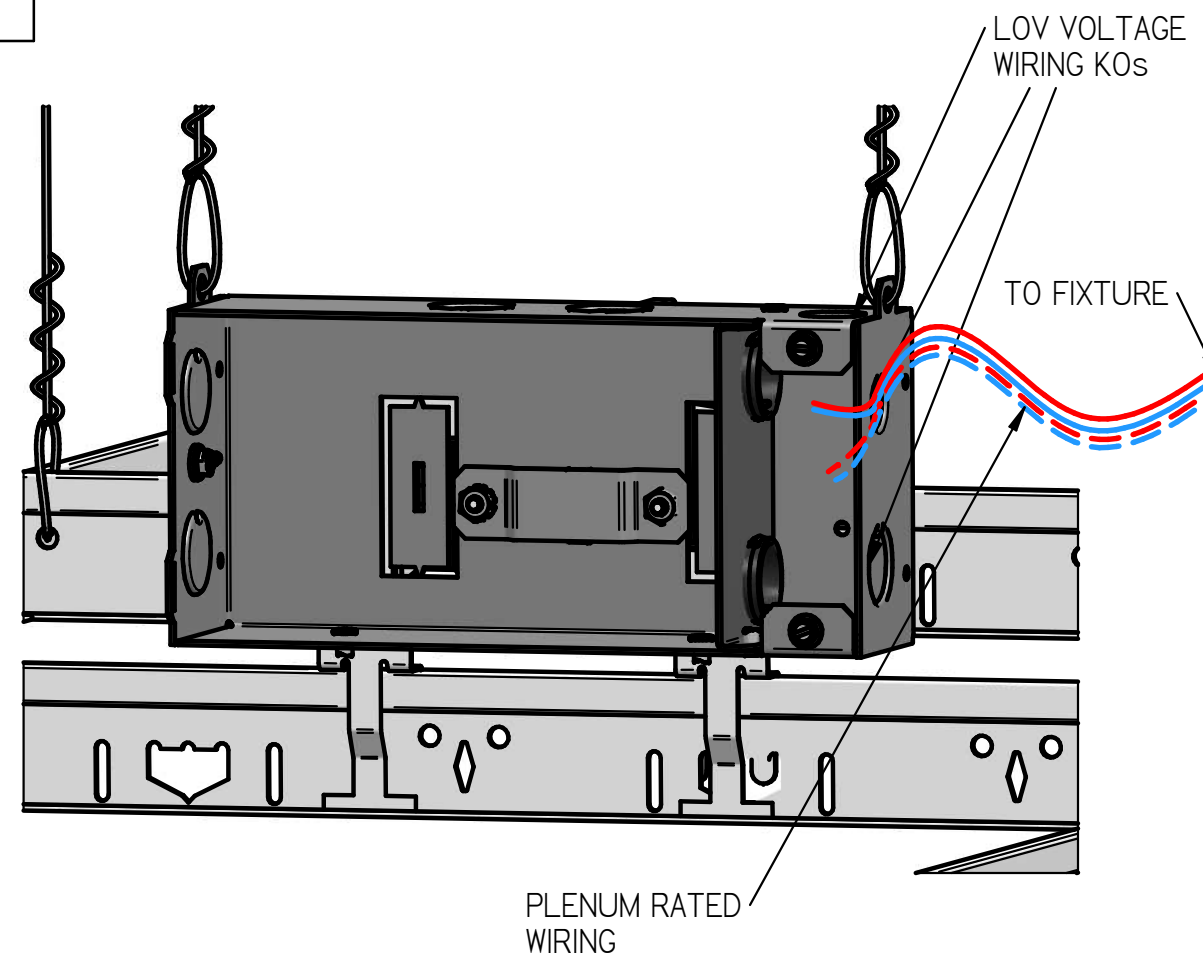
4

**\*SUGGESTED MOUNTING METHOD\***



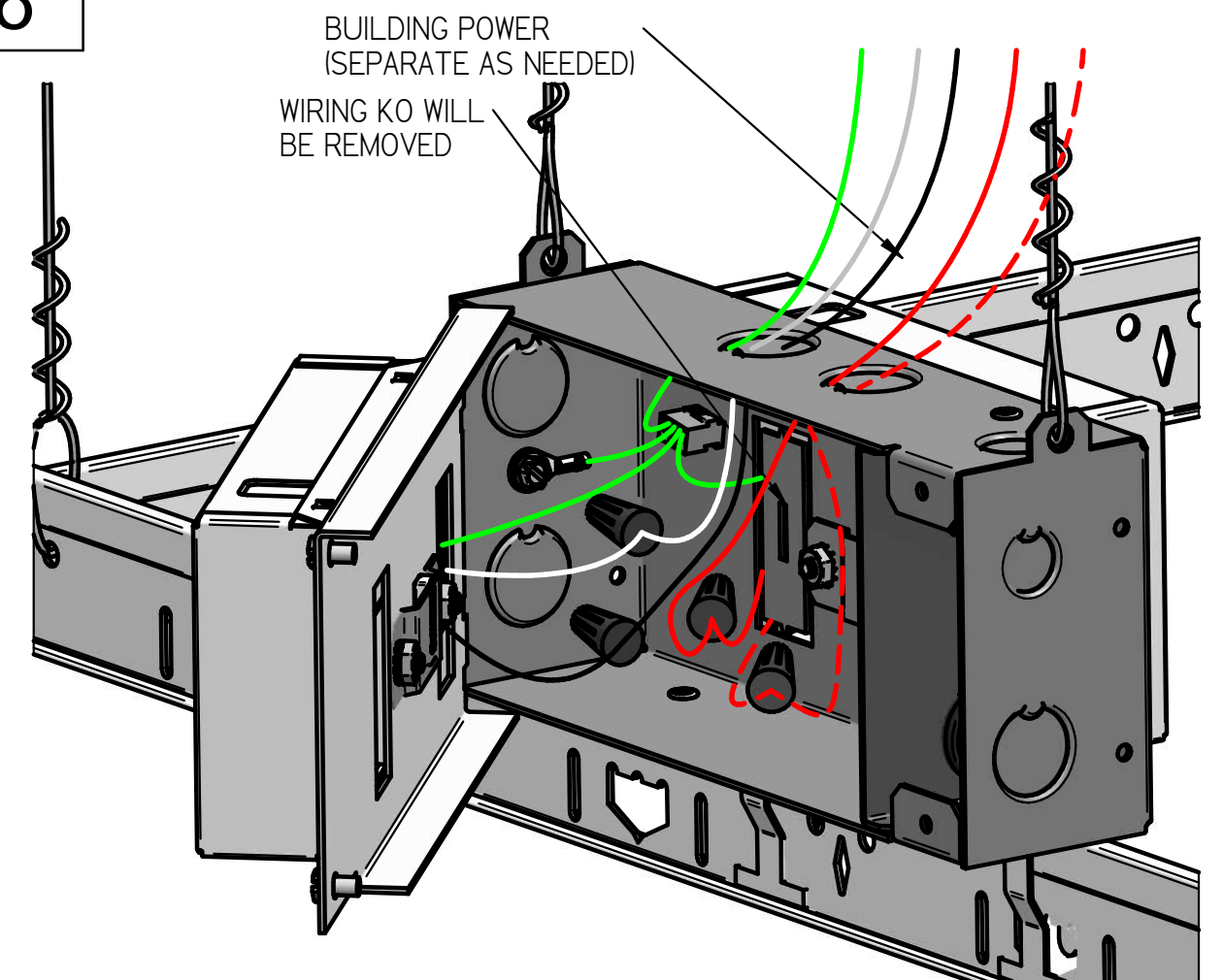
FOR TILE MOUNTED PENDANTS, A CONTRACTOR SUPPLIED JBOX IS REQUIRED TO MOUNT FIXTURE. USE A CONTRACTOR SUPPLIED 18 GA PLENUM RATED WIRE TO MAKE CONNECTIONS INSIDE JBOX. NO NECK IS REQUIRED ON ENCLOSURE. **NOTE: TILE MOUNT METHOD MAY VARY. EVERY FEEDCORD NEEDS A JBOX.**

5

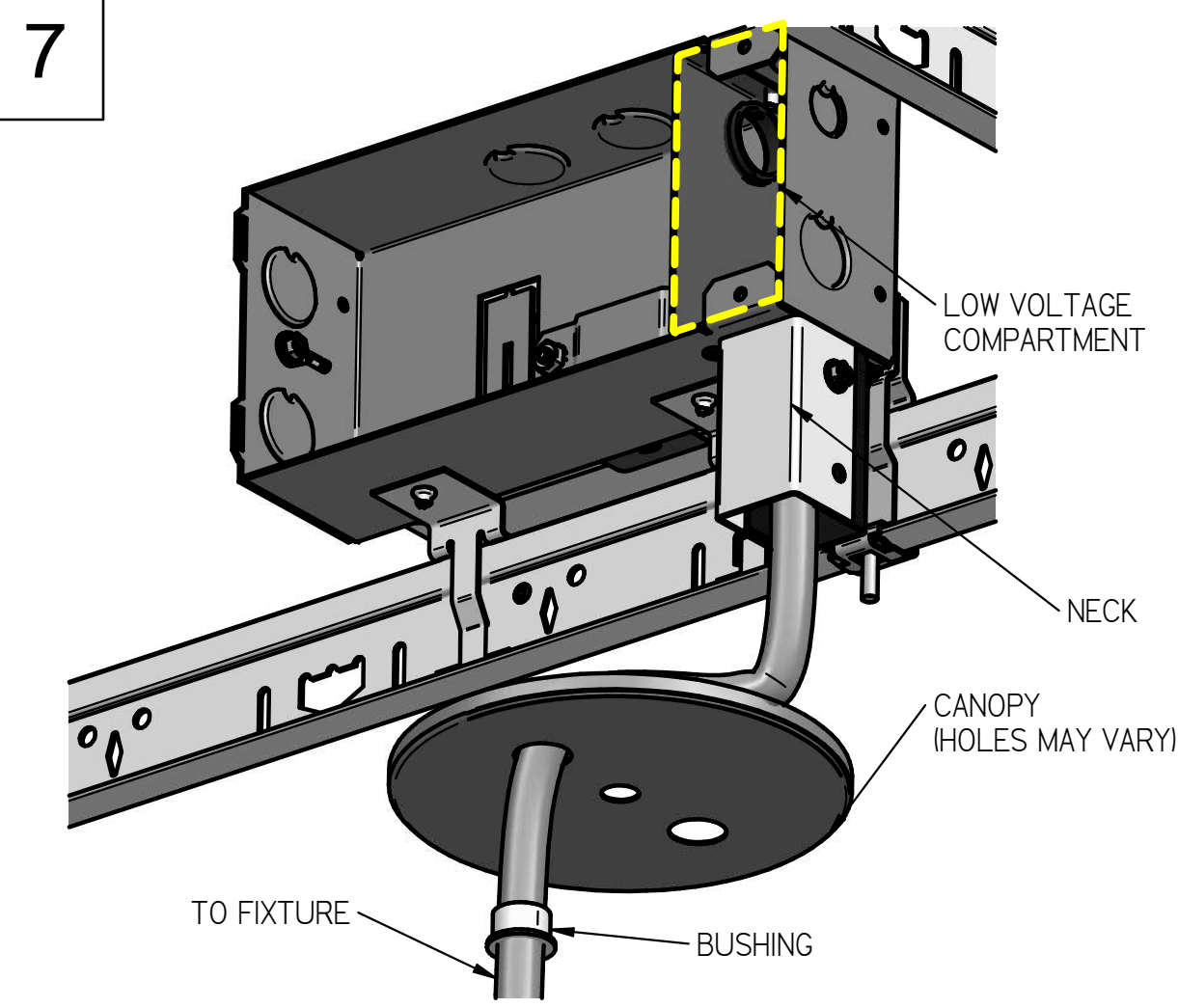


FOR ALL OTHER FIXTURE TYPES, AFTER MOUNTING THE FIXTURE IN PLACE, USE A CONTRACTOR SUPPLIED 18 GA PLENUM RATED WIRE TO CONNECT THE FIXTURE TO ENCLOSURE. NO NECK IS REQUIRED ON ENCLOSURE.

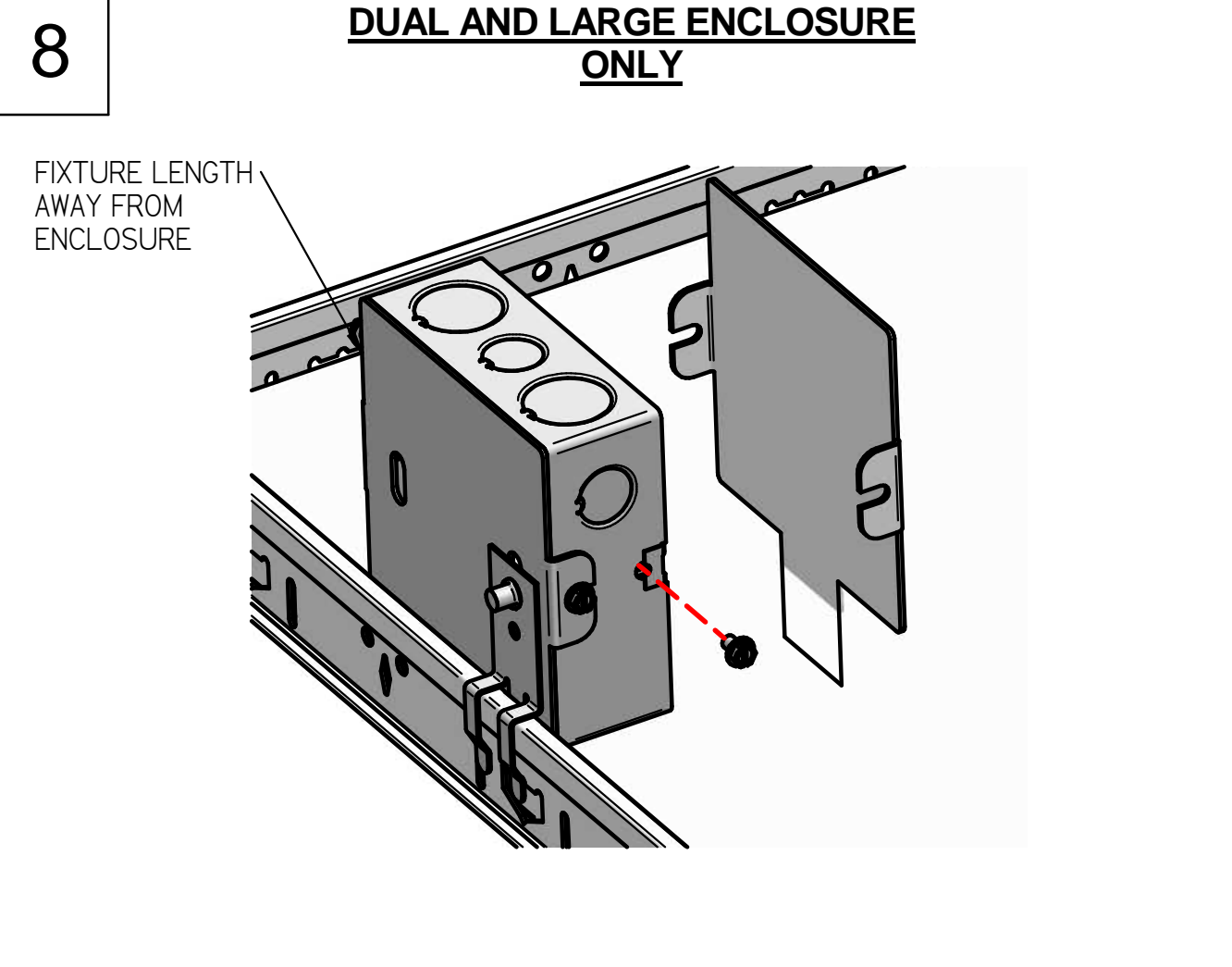
6



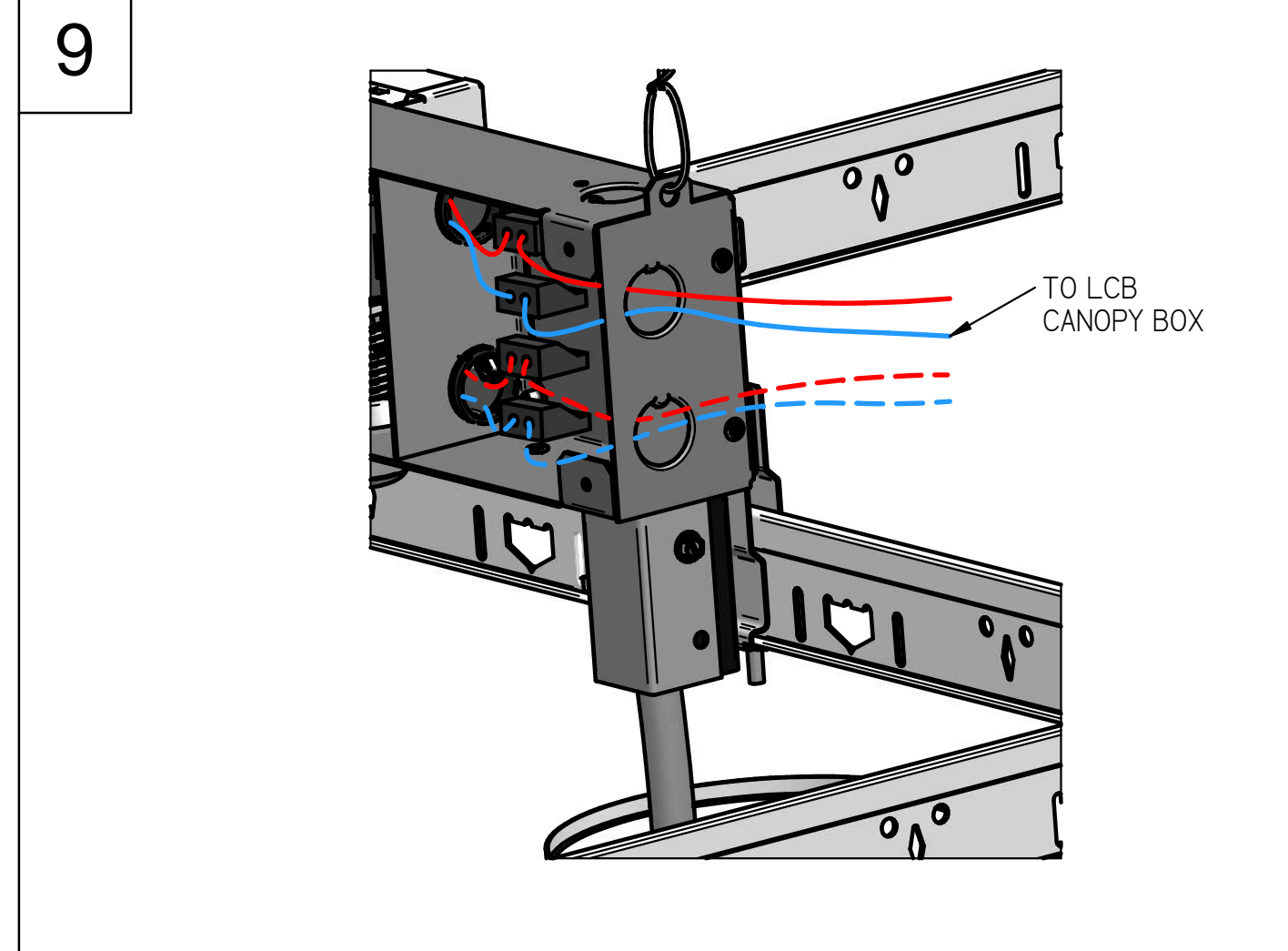
MAKE BUILDING POWER CONNECTIONS IN THE LARGER WIRING COMPARTMENT. ENCLOSURES WITHOUT NX COMPONENTS CAN BE EITHER 1 CIRCUIT OR 2. WIRE ACCORDINGLY BASED ON LABELS AND FIXTURE NEEDS. **NOTE: 2 CIRCUIT SHOWN.**



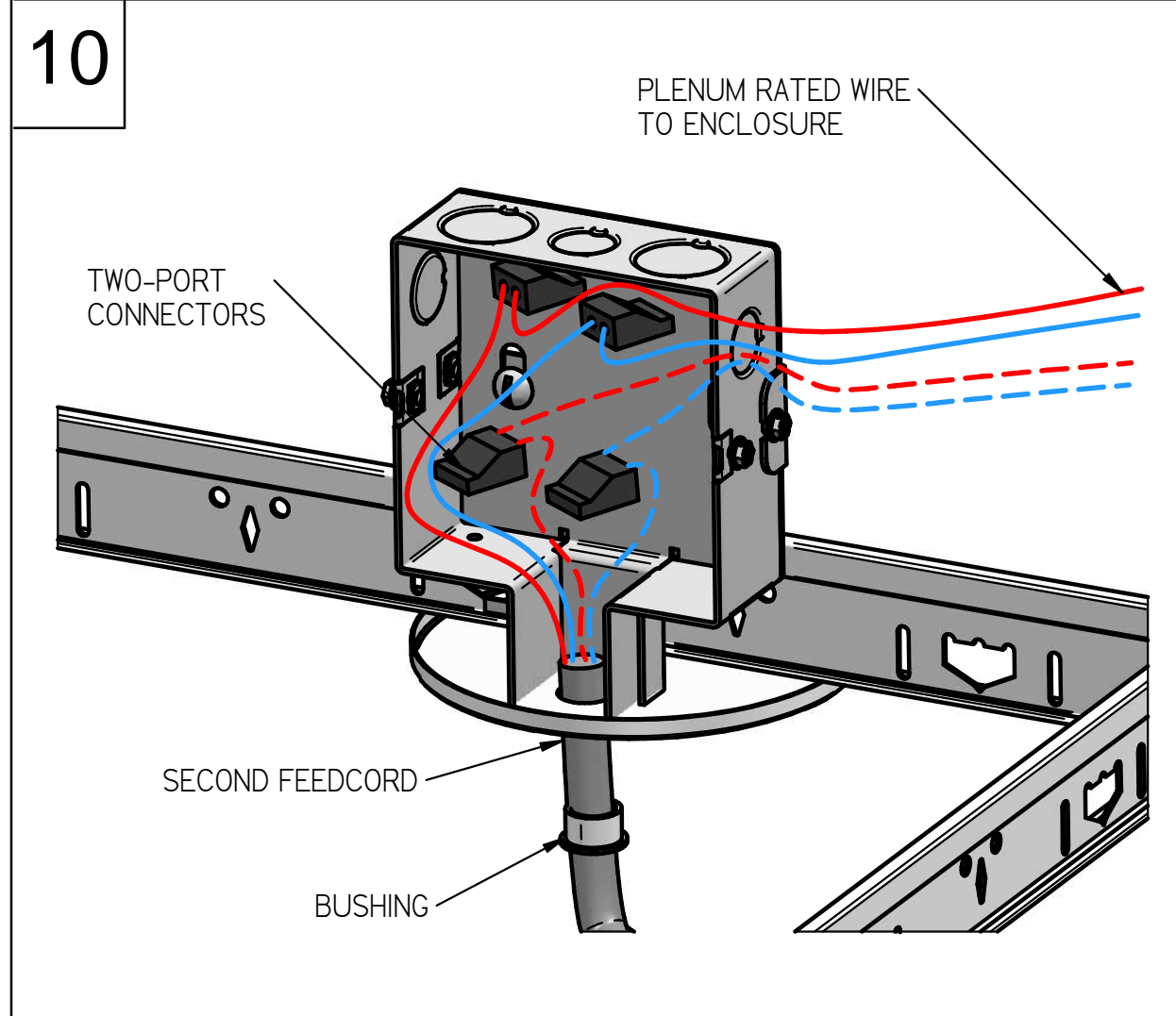
FOR TBAR MOUNTED PENDANT FIXTURES, PLACE BUSHING AND CANOPY COVER ONTO FEEDCORD. ROUTE FEEDCORD INTO ENCLOSURE THROUGH NECK. ATTACH BUSHING TO CANOPY. IF USING SMALL ENCLOSURE, OR ONLY INSTALLING ONE FEEDCORD, WIRE FEEDCORD TO ENCLOSURE AND REPLACE COVER AND SKIP TO STEP 12.



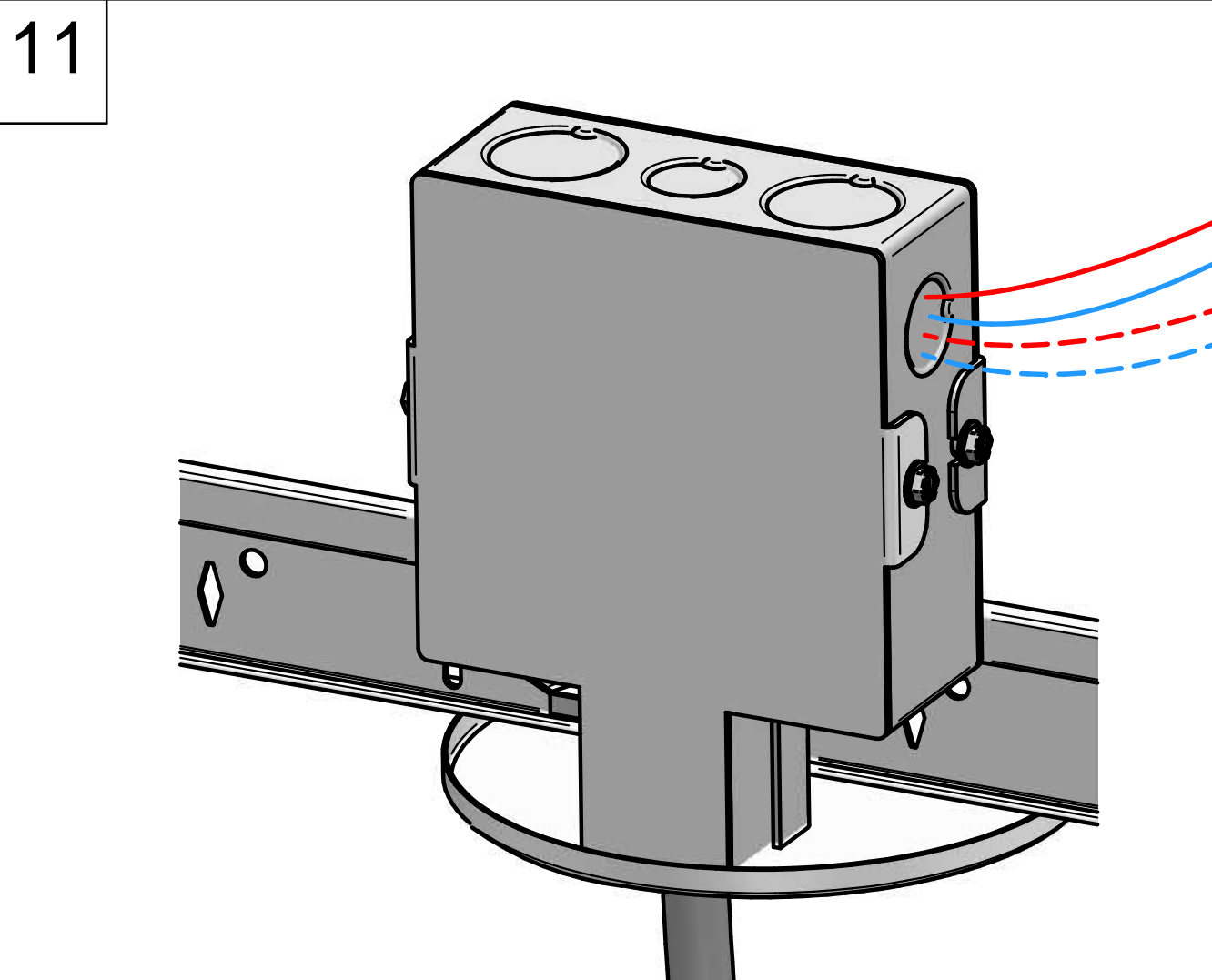
WHEN DUAL FEEDCORDS ARE NEEDED, MOUNT THE PROVIDED LCB CANOPY BOX ON THE TBAR, FIXTURE LENGTH AWAY FROM ENCLOSURE REMOVE COVER AND SET ASIDE.



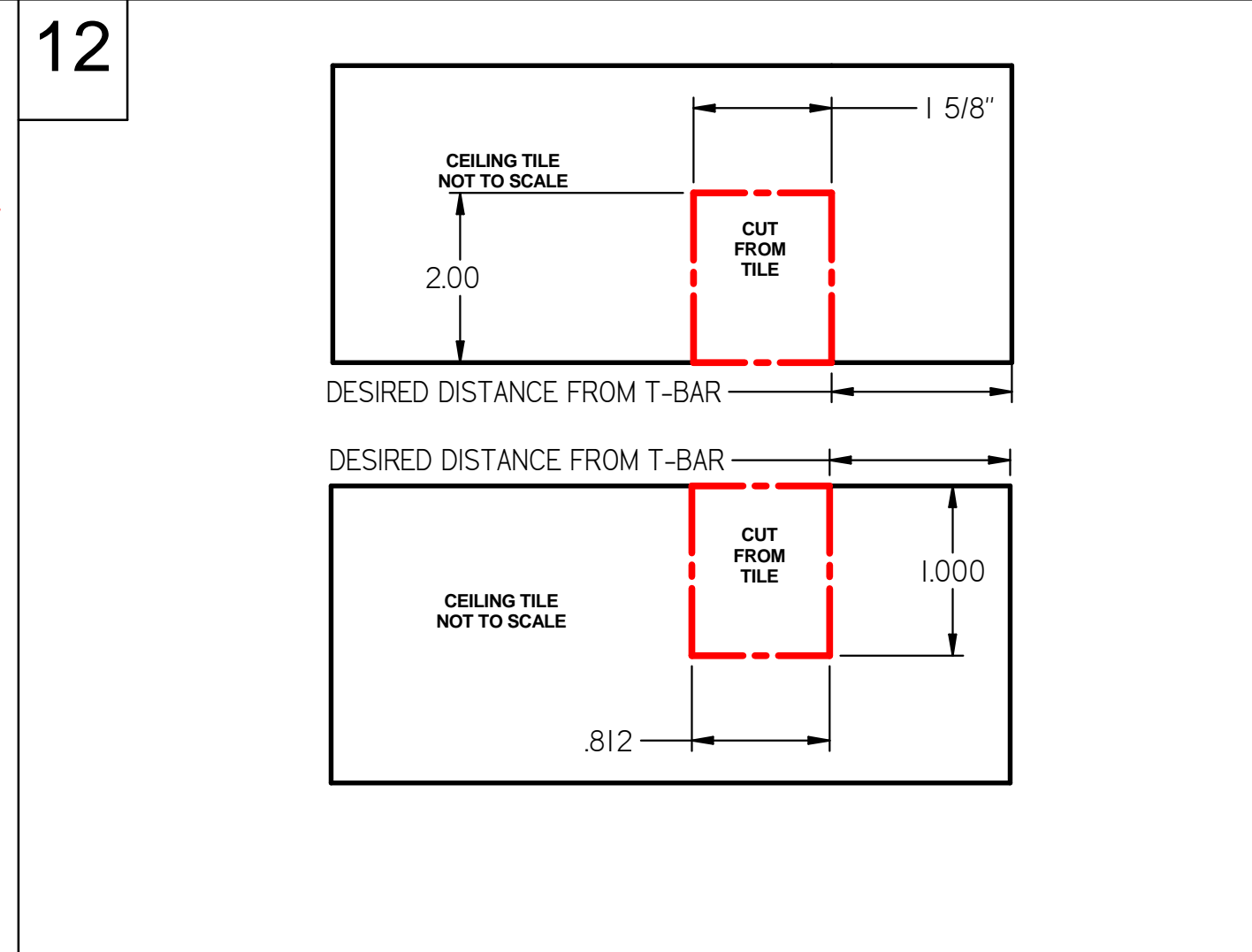
FEED ONE END OF A 18 GA SOLID **PLENUM RATED WIRE, SUPPLIED BY OTHER** INTO ENCLOSURE AND WIRE AS LABELED. FEED OPPOSITE END THROUGH LCB KO. DEPENDING ON YOUR FIXTURES NEEDS, THERE MAY BE 2 OR 4 CONDUCTORS. REPLACE ENCLOSURE COVER AFTER CONNECTIONS ARE DONE.



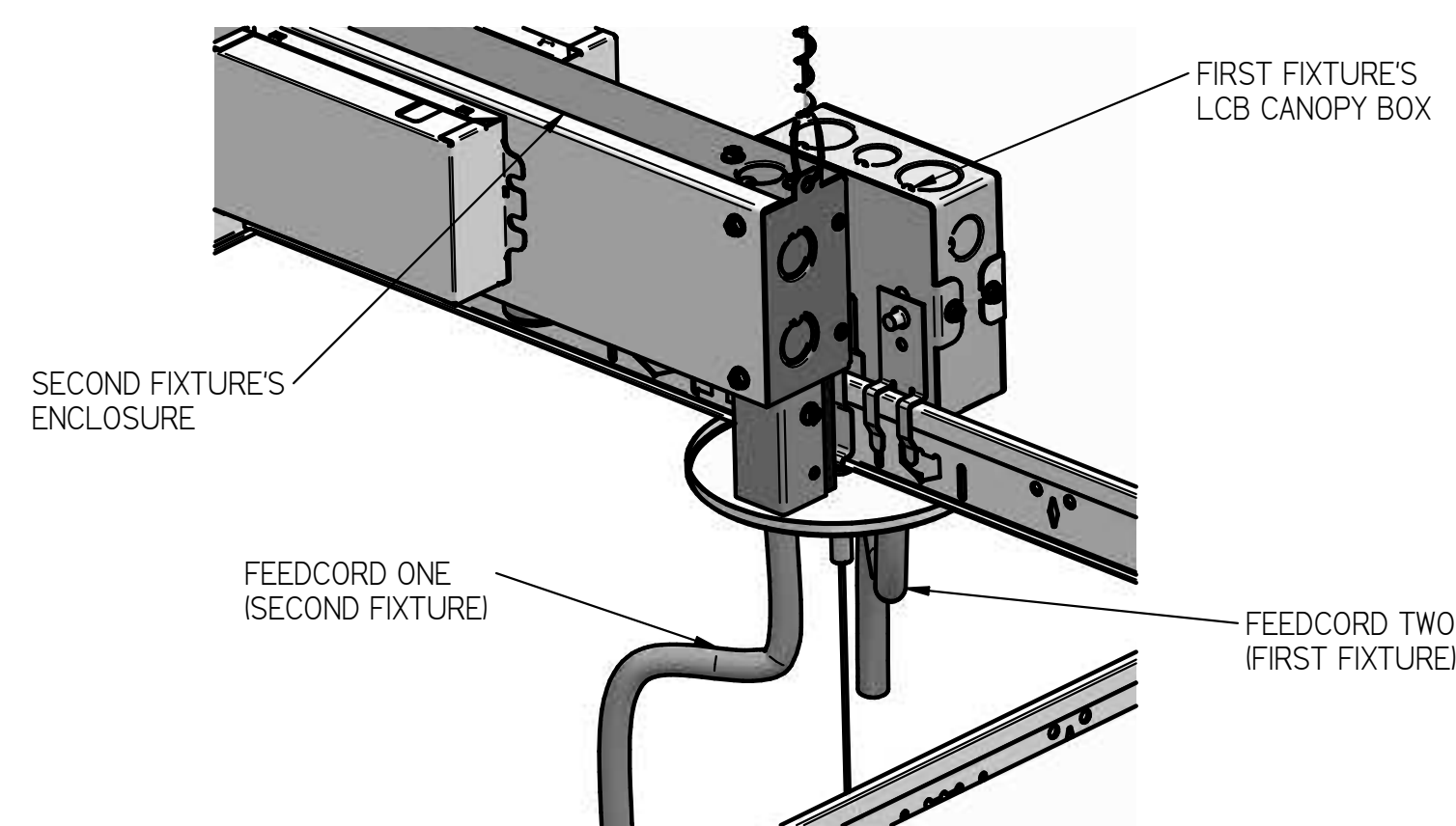
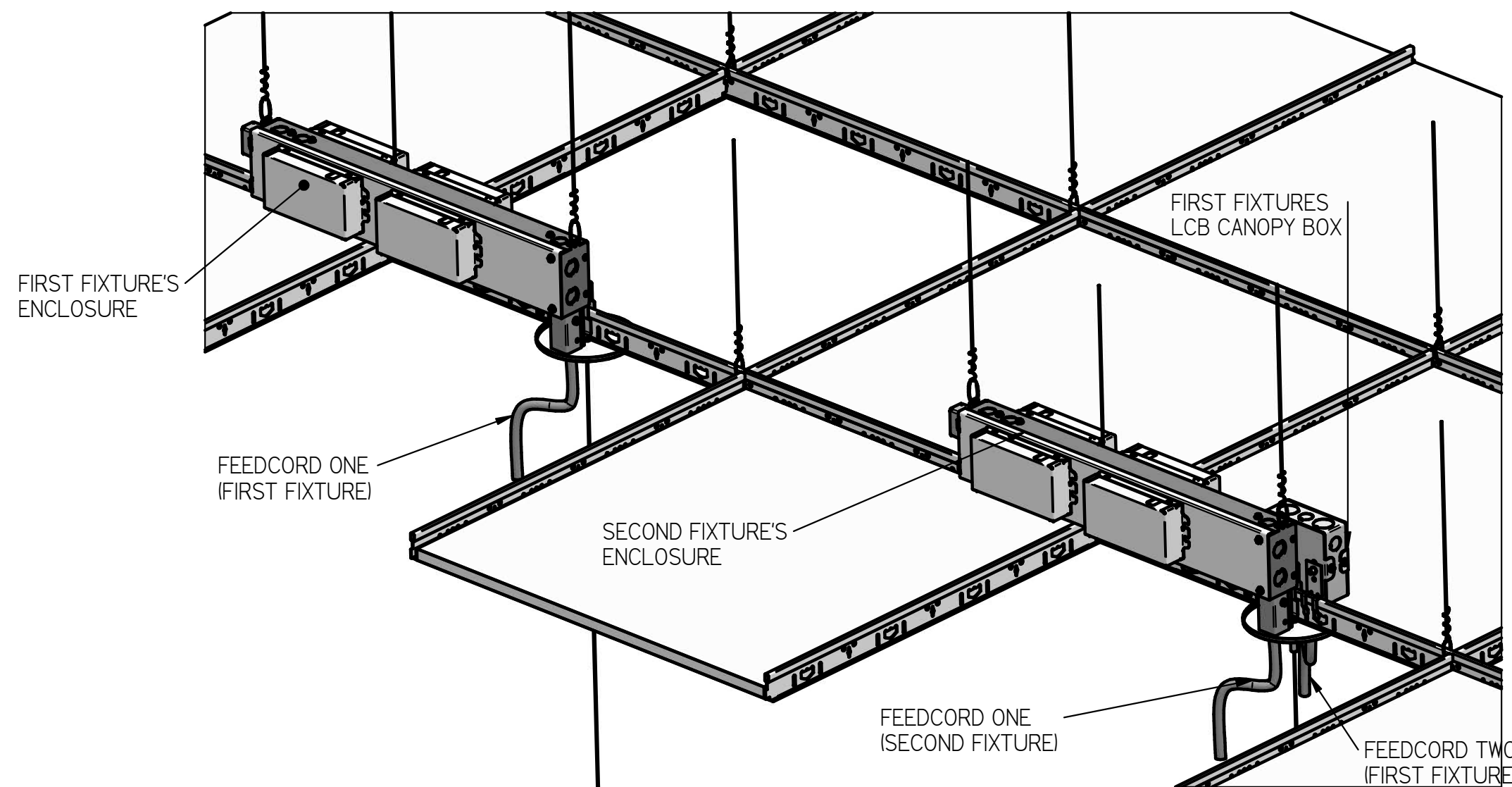
PLACE A BUSHING ONTO SECOND FEEDCORD AND ATTACH TO SECOND CANOPY. ROUTE FEEDCORD INTO CANOPY BOX. USING CONTRACTOR SUPPLIED TWO-PORT CONNECTORS OR WIRENUTS, MAKE CONNECTIONS TO PLENUM RATED WIRING. DEFAULT DIRECT LEDS TO ENCLOSURE FEEDCORD AND INDIRECT TO LCB FEEDCORD.



ATTACH BUSHING TO CANOPY AND REPLACE LCB CANOPY BOX COVER.

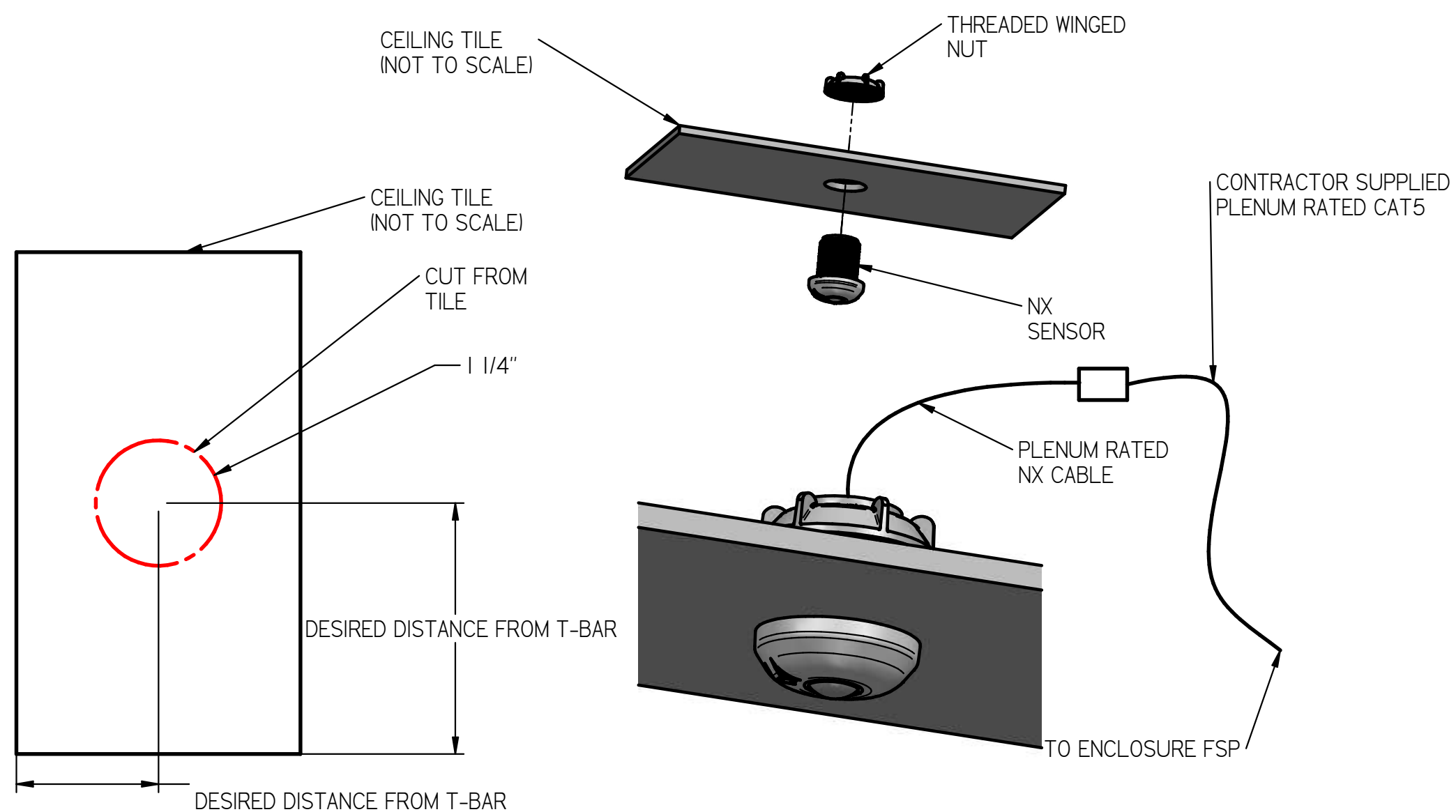


MAKE CUTS ON CEILING TILES AS NEEDED. REFER TO ENLCOSURE LAYOUT ON SHEET 4 TO CUT PROPER TILES. DESIRED DISTANCE FROM TBAR DIMENSION NEEDS TO BE EQUAL ON BOTH TILES. PLACE CEILING TILE BACK IN CEILING AND MOUNT FIXTURE USING THE 70L PENDANT INSTALLATION GUIDE. FOR TILE MOUNT, CUT A HOLE IN THE TILE BASED ON JUNCTION BOX/OTHER MOUNTING METHOD'S DIMENSIONS.



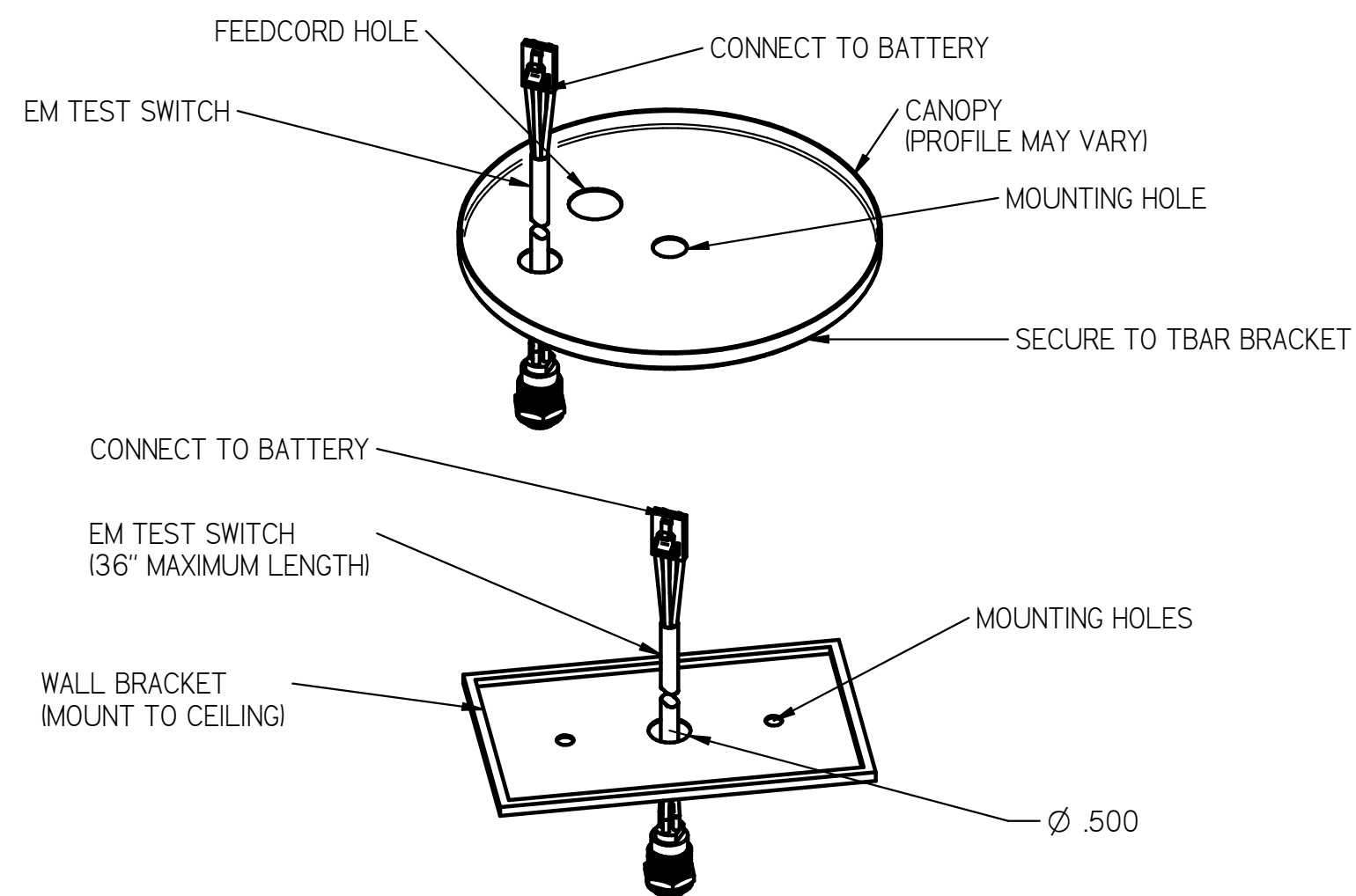
WHEN ROW JOINING FIXTURES THAT HAVE DUAL FEEDCORDS, THE SECOND FIXTURE IN THE ROW CAN SHARE CANOPIES WITH THE FIRST FIXTURE'S LCB CANOPY BOX. ONE FIXTURE CANNOT HAVE TWO FEEDCORDS COMING FROM THE SAME CANOPY.

## SENSOR INSTALLATION



MAKE SENSOR CUT OUT IN CEILING TILE . PLACE SENSOR INTO CUTOUT AND SECURE TO TILE. CONNECT PLENUM RATED NX CABLE TO SENSOR AND CONNECT PLENUM RATED NX CABLE TO ENLCOSURE WITH A CONTRACTOR SUPPLIED CAT5 OF DESIRED LENGTH.

## EF SWITCH INSTALLATION



TOP IMAGE: THIS METHOD IS ONLY FOR PENDANT FIXTURE MOUNTED ON THE TBAR. SECURE EF SWITCH TO CANOPY PLATE AS WITCH HEX NUT. CONNECT SWITCH TO BATTERY.

BOTTOM IMAGE: THIS METHOD IS FOR ALL OTHER FIXTURE / MOUNT TYPES. MAKE CUTOUT IN CEILING **36" MAXIMUM AWAY FROM ENCLOSURE**, INSTALL SWITCH TO PLATE AND SECURE PLATE TO CEILING. CONNECT SWITCH TO BATTERY.