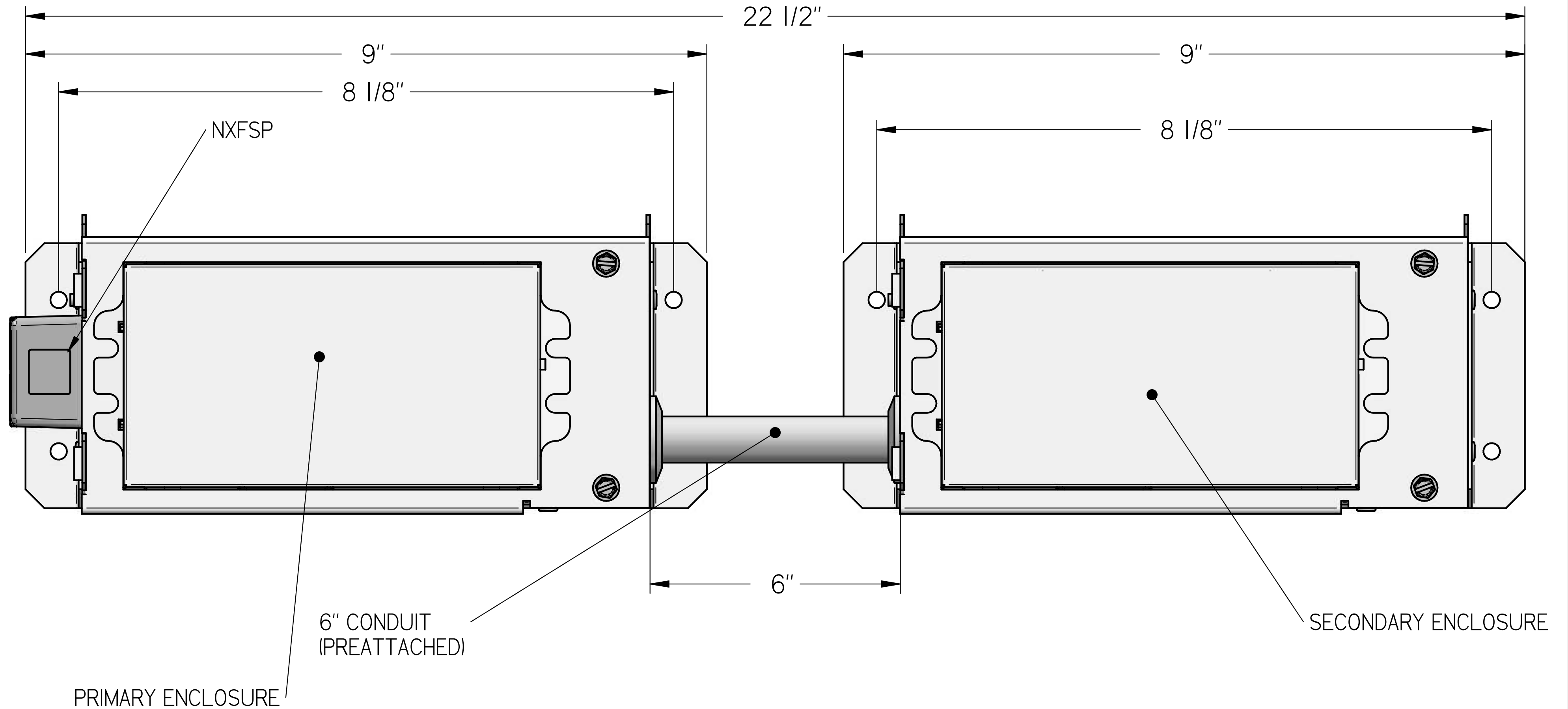


GENERAL NOTES:

- ENCLOSURE COMPONENTS MAY VARY BASED ON FIXTURE NEEDS, MAXIMUM EXTERNAL COMPONENTS SHOWN.
- ENCLOSURE SIZE SHOWN IN THIS INSTALLATION GUIDE MAY DIFFER FROM YOUR PRODUCT. INSTALLATION IS THE SAME FOR BOTH SIZES, REFER TO SHEET 1 FOR YOUR PRODUCTS DIMENSIONS.
- ENCLOSURE NEEDS TO BE ACCESSIBLE AT ALL TIMES AFTER INSTALLATION.
- ENCLOSURE MUST BE MOUNTED BETWEEN TWO POINTS (AS SUGGESTED ABOVE). IF THERE ARE NO COMPONENTS ON THE BACK IT CAN BE MOUNTED ON A FLAT SURFACE.
- READ BOTH THE ENCLOSURE INSTRUCTIONS AS WELL AS THE FIXTURE INSTRUCTION COMPLETELY BEFORE INSTALLING.
- REFER TO WIRE LENGTH TABLE BEFORE INSTALLING.

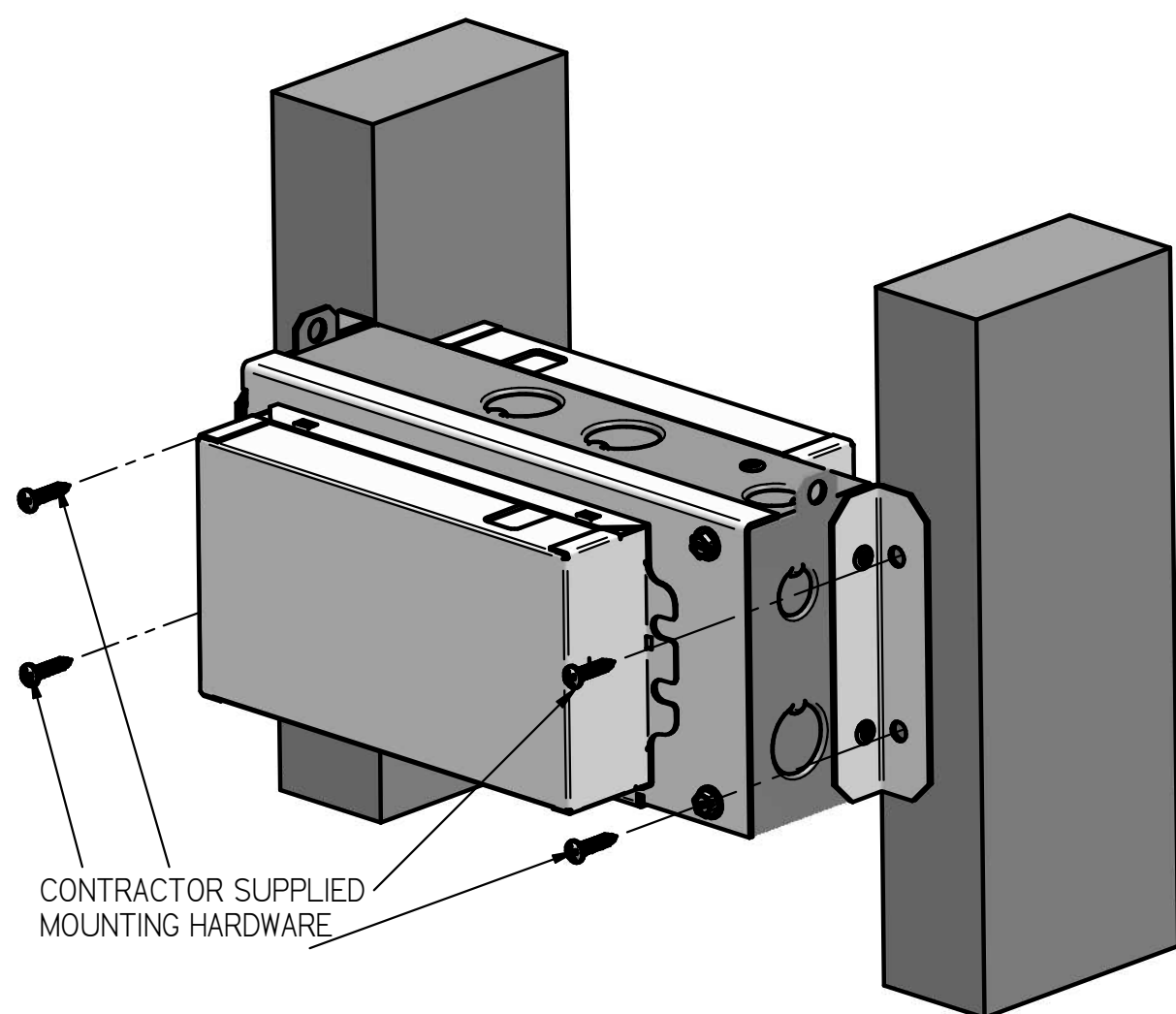
TOOLS REQUIRED	SUPPLIED BY INSTALLER
-1/8" DRILL -1/4" HEX DRIVER/DRILL	-PLENUM RATED WIRE (AS NEEDED) -JBOX MOUNT (PENDANT FIXTURES) -WIRE CONNECTORS -ENCLOSURE MOUNTING HARDWARE



GENERAL NOTES:

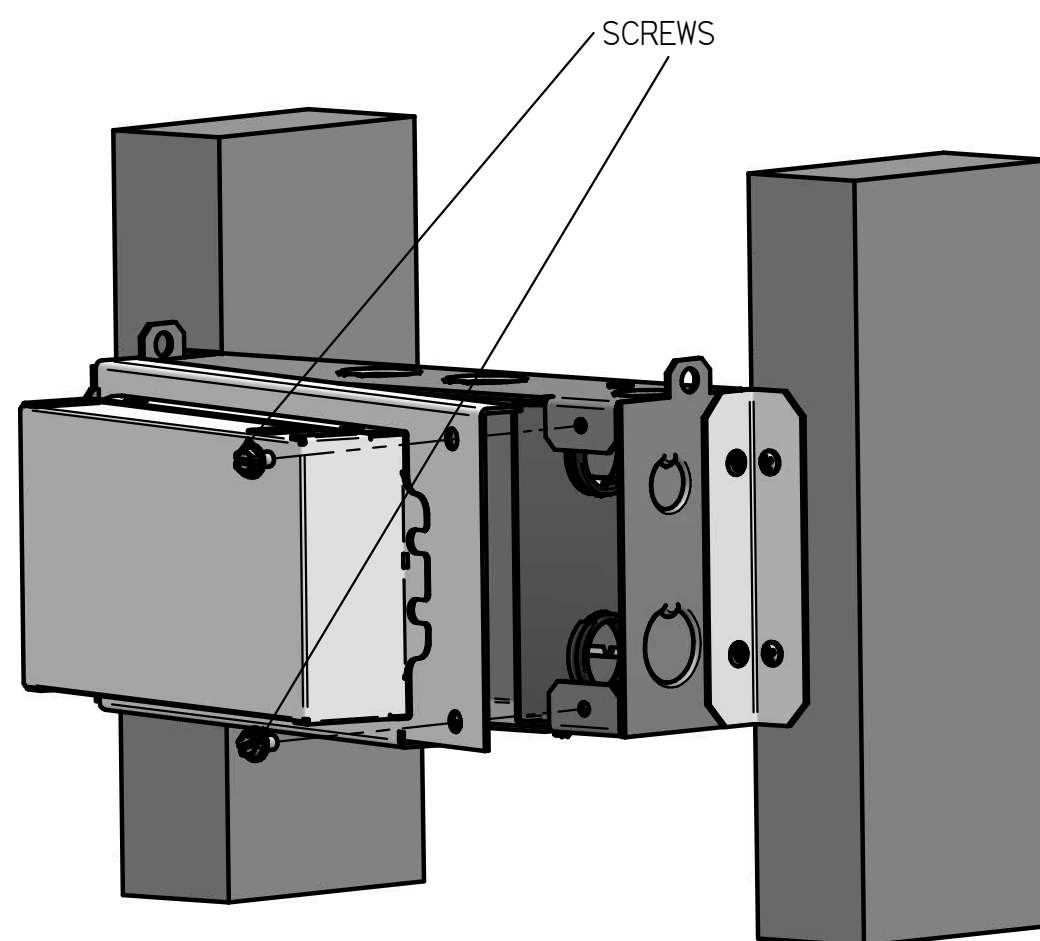
- 1) ENCLOSURE COMPONENTS MAY VARY BASED ON FIXTURE NEEDS, MAXIMUM EXTERNAL COMPONENTS SHOWN.
- 2) ENCLOSURE NEEDS TO BE ACCESSIBLE AT ALL TIMES AFTER INSTALLATION.
- 3) ENCLOSURE MUST BE MOUNTED BETWEEN TWO POINTS. IF THERE ARE NO COMPONENTS ON THE BACK IT CAN BE MOUNTED ON A FLAT SURFACE.
- 4) THE DUAL ENCLOSURE SHOWN ABOVE MAY BE REQUIRED BASED ON FIXTURE'S NEEDS.
- 5) THE PRIMARY ENCLOSURE IS THE ONLY ENCLOSURE THAT NEEDS TO BE OPENED UP FOR CONNECTING BUILDING POWER
- 6) READ THIS INSTALLATION AS WELL AS THE FIXTURE INSTALLATION SHEET ENTIRELY BEFORE INSTALLING.

1



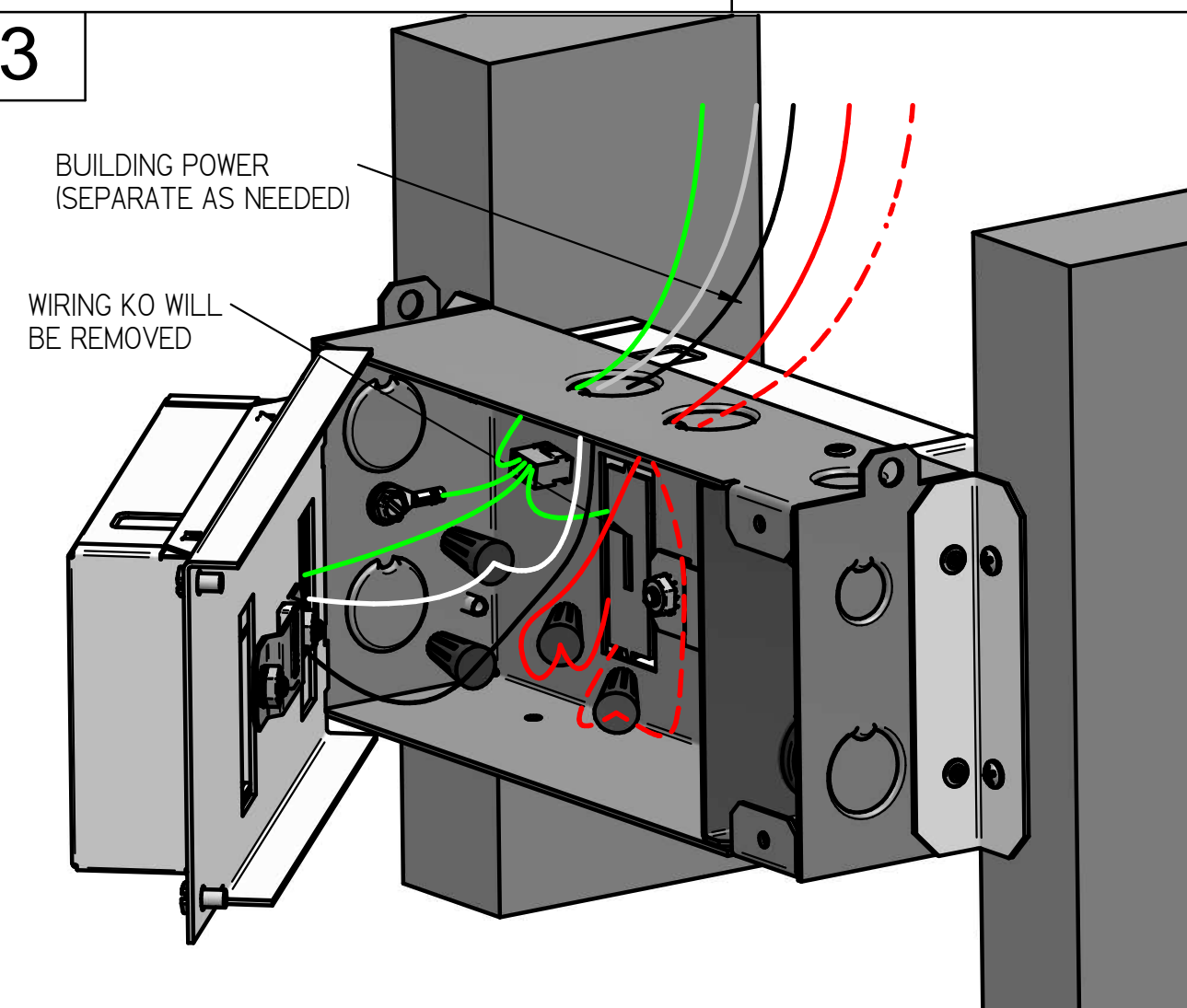
MOUNT ENCLOSURE IN CEILING USING MOUNTING HARDWARE (SUPPLIED BY OTHER). REFER TO SHEET 1 FOR DIMENSIONS BASED ON ENCLOSURE SIZE. ENCLOSURES NEED TO BE ACCESSIBLE AT ALL TIMES AFTER INSTALLATION.

2



REMOVE SCREWS AND COVER FROM ENCLOSURE WITH THE 1/4" SOCKET DRIVER. **DO NOT TUG ON COVER OR PULL TOO FAR AWAY FROM ENCLOSURE.**

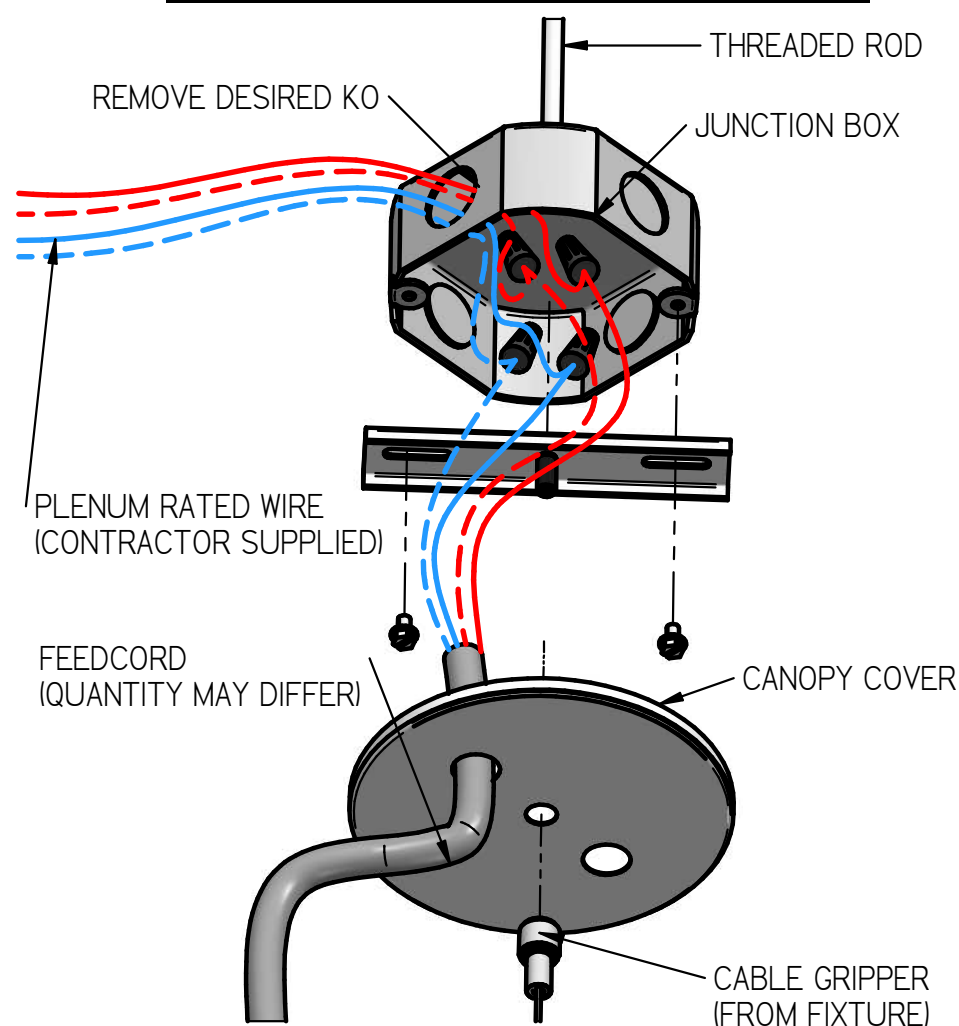
3



MAKE BUILDING POWER CONNECTIONS IN THE LARGER WIRING COMPARTMENT. ENCLOSURES WITHOUT NX COMPONENTS CAN BE EITHER 1 CIRCUIT OR 2. **NOTE: 2 CIRCUIT SHOWN.**

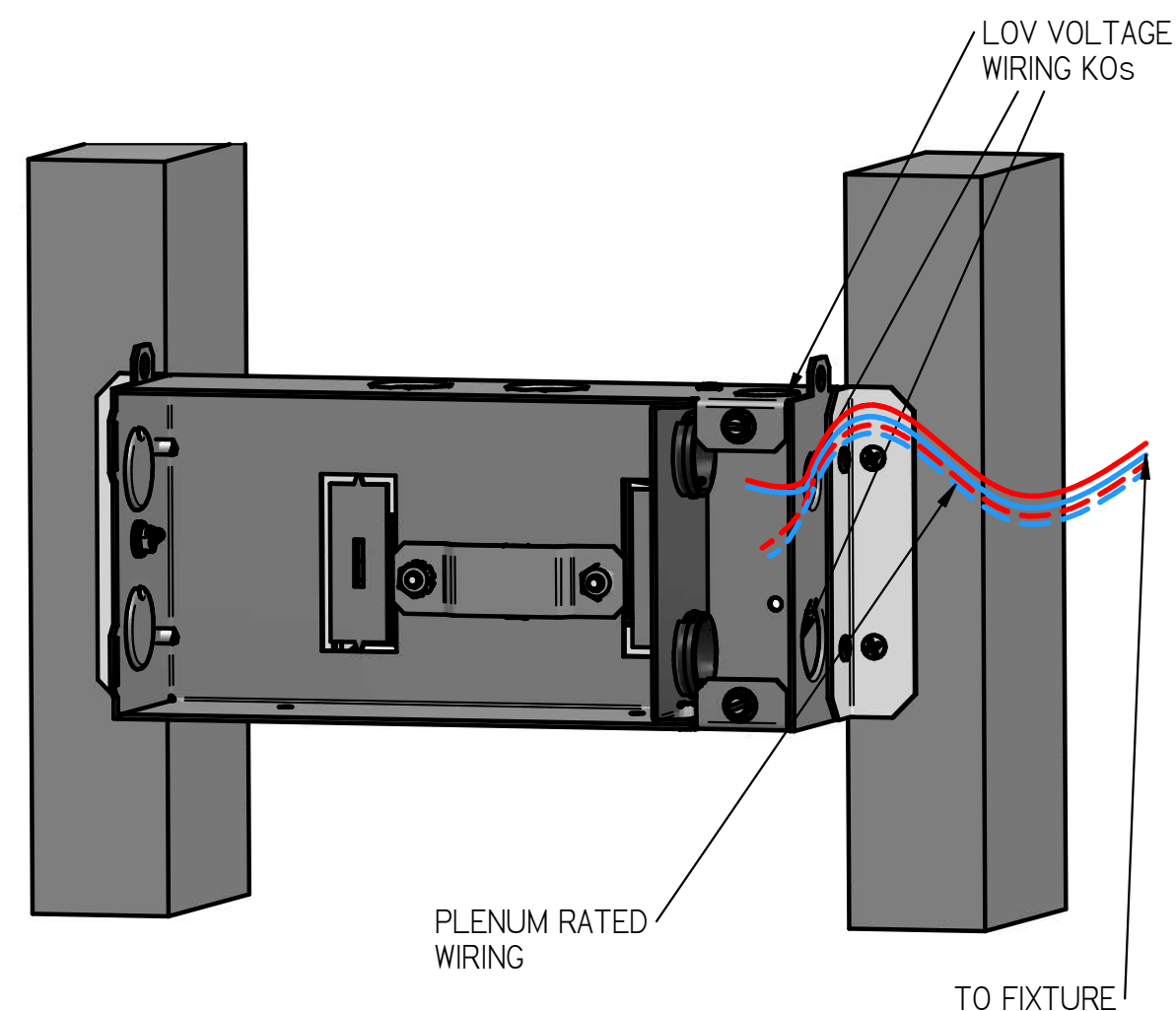
4

SUGGESTED MOUNTING METHOD



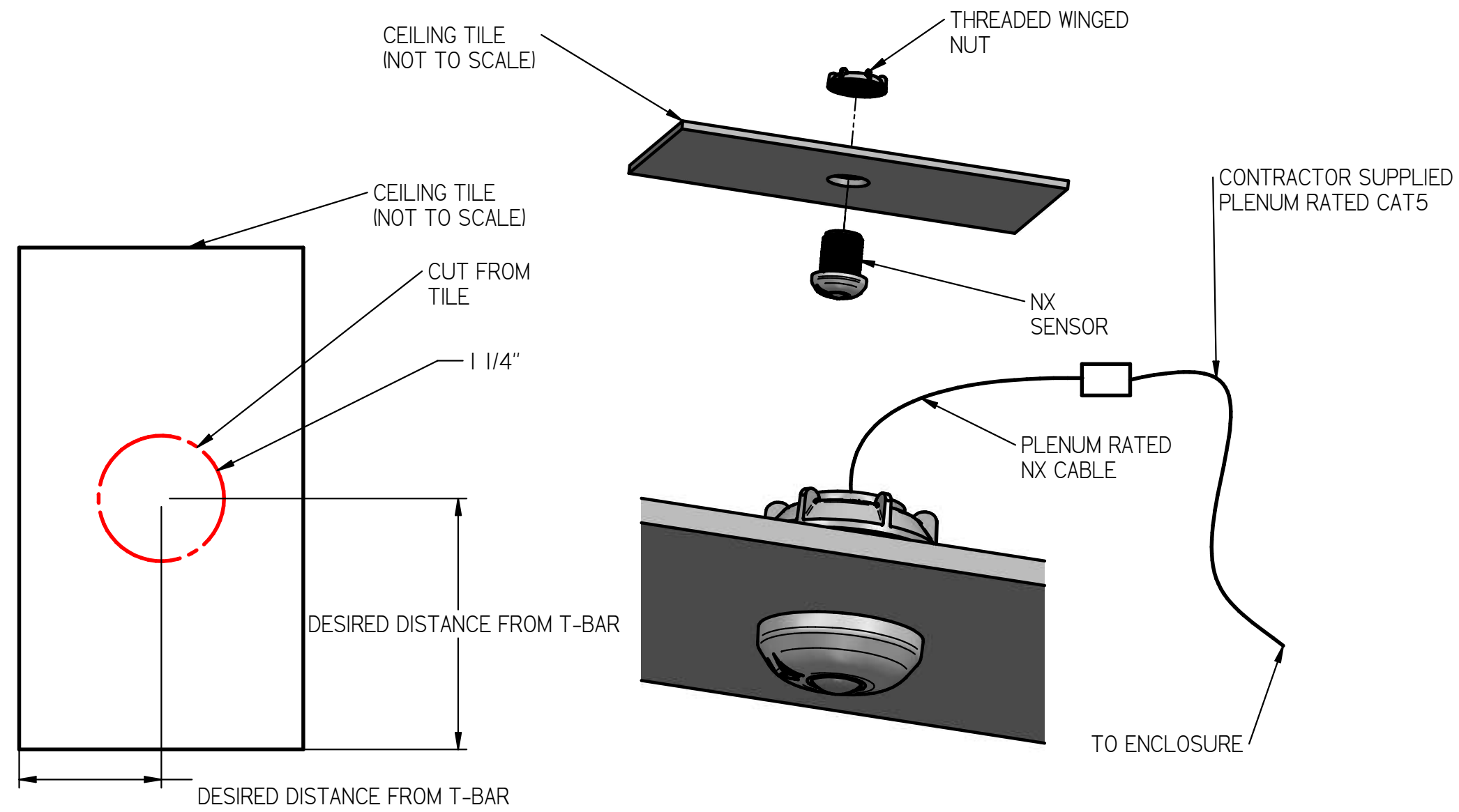
FOR PENDANT FIXTURES, A JBOX (SUPPLIED BY OTHER) IS REQUIRED TO MOUNT FIXTURE. USE A 18 GA PLENUM RATED WIRE (SUPPLIED BY OTHER) TO CONNECT THE FIXTURE TO ENCLOSURE. ALL CONNECTION NEED TO BE N THE LOW VOLTAGE COMPARTMENT.

5



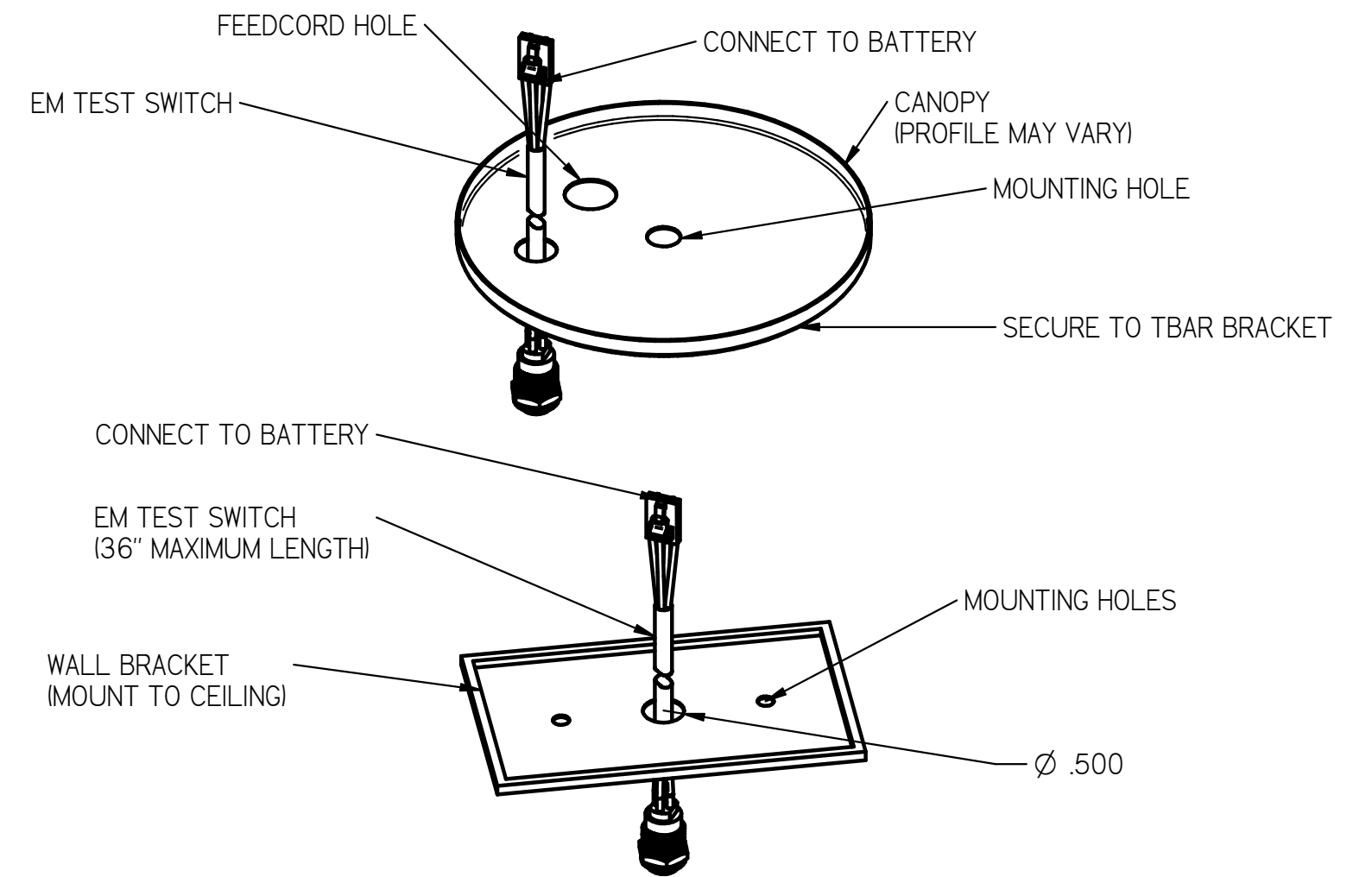
FOR ALL OTHER FIXTURE TYPES, USE 18 GA PLENUM RATED WIRE (SUPPLIED BY OTHER) TO CONNECT THE FIXTURE TO ENCLOSURE.

SENSOR INSTALLATION



MAKE SENSOR CUT OUT IN CEILING TILE . PLACE SENSOR INTO CUTOUT AND SECURE TO TILE. CONNECT PLENUM RATED NX CABLE TO SENSOR AND CONNECT PLENUM RATED NX CABLE TO ENLCOSURE WITH A CONTRACTOR SUPPLIED CAT5 OF DESIRED LENGTH.

EF SWITCH INSTALLATION



TOP IMAGE: THIS METHOD IS ONLY FOR PENDANT FIXTURES. SECURE EF SWITCH TO CANOPY PLATE AS WITCH HEX NUT. CONNECT SWITCH TO BATTERY.

BOTTOM IMAGE: THIS METHOD IS FOR ALL OTHER FIXTURE TYPES. MAKE CUTOUT IN CEILING, **36" MAXIMUM AWAY FROM ENCLOSURE**, INSTALL SWITCH TO PLATE AND SECURE PLATE TO CEILING. CONNECT SWITCH TO BATTERY.