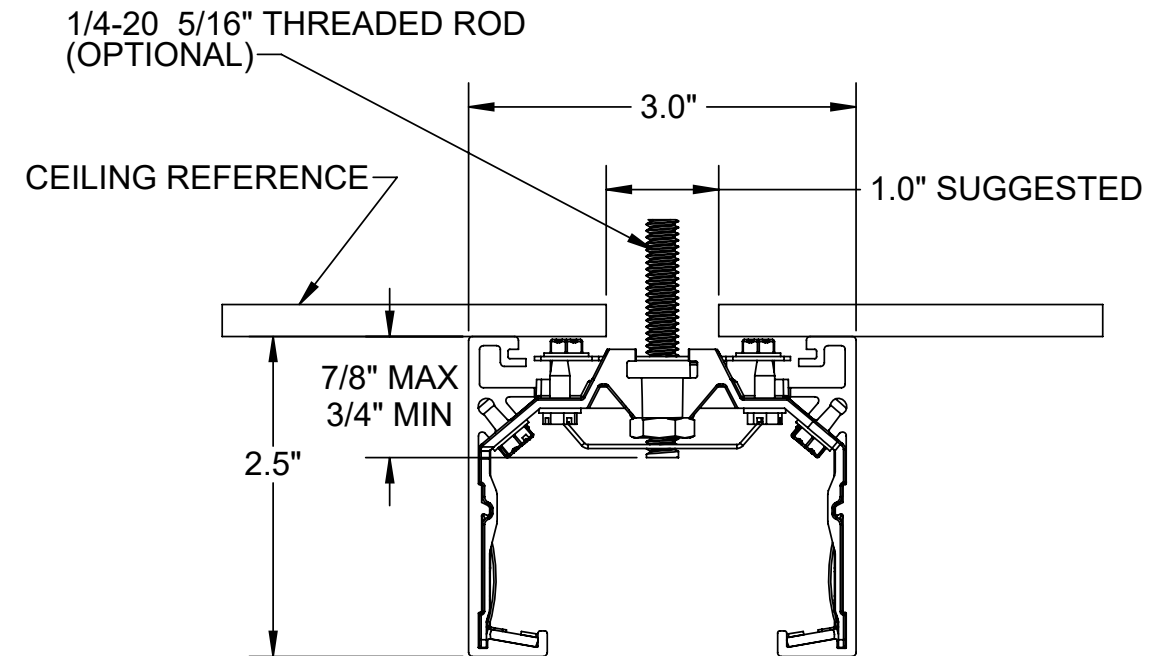
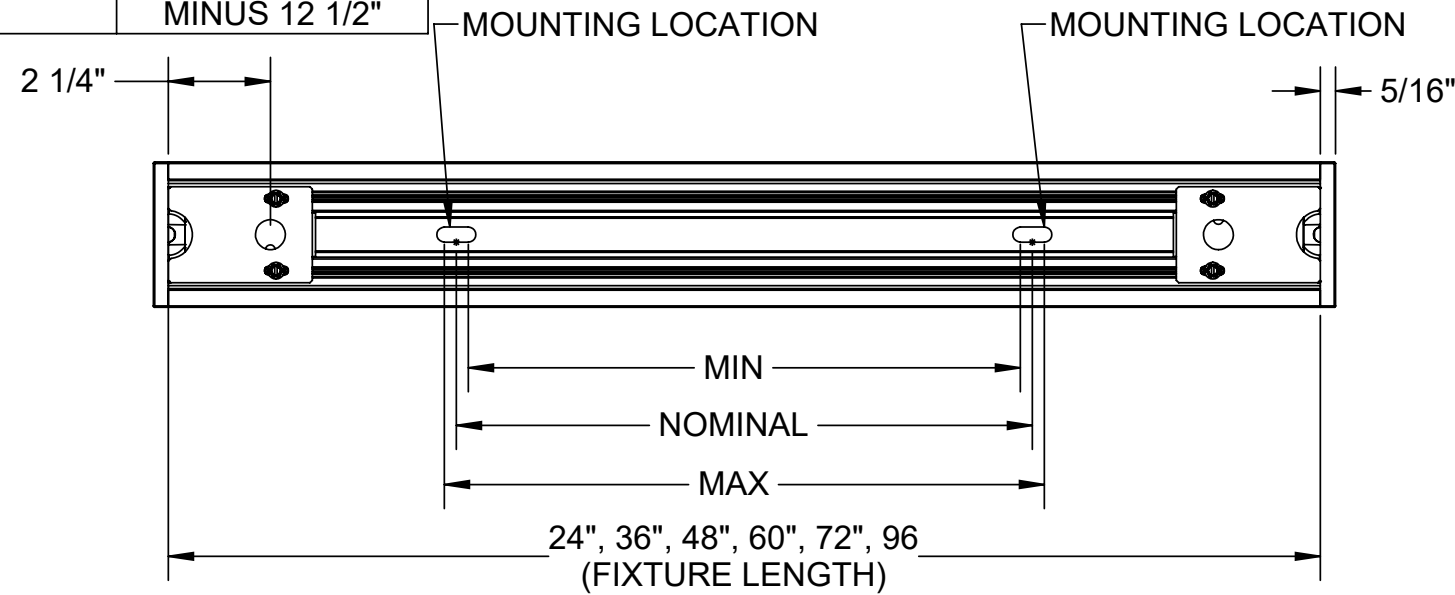


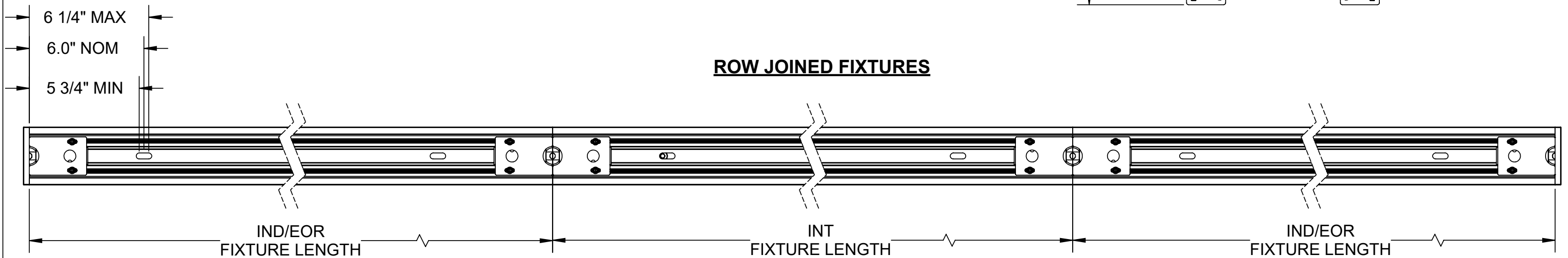
SLOT DIMENSIONS	
MAX	FIXTURE LENGTH MINUS 11 1/2"
NOMINAL	FIXTURE LENGTH MINUS 12"
MIN	FIXTURE LENGTH MINUS 12 1/2"

NOMENCLATURE	
EORL	END OF ROW LEFT
INT	INTERMEDIATE
EORR	END OF ROW RIGHT
IND	INDIVIDUAL

INDIVIDUAL FIXTURE



ROW JOINED FIXTURES



GENERAL NOTES:

- REFER TO SUPPLEMENTAL REMOTE ENCLOSURE DIAGRAM FOR WIRING. ALL ENCLOSURES NEED TO BE INSTALLED FIRST.
- ENSURE FIXTURE IS FLUSH TO CEILING.
- SUGGESTED MOUNTING METHOD FOR DRYWALL OR TILE MOUNTED FIXTURES IS TO USE A 1/4-20 (OR EQUAL) THREADED ROD. OTHER METHODS CAN BE EXPLORED.
- SUGGESTED MOUNTING METHOD FOR ON TBARS WOULD BE TO USE TBAR CLIP SHOWN IN STEP 6. OTHER METHODS CAN BE EXPLOED.

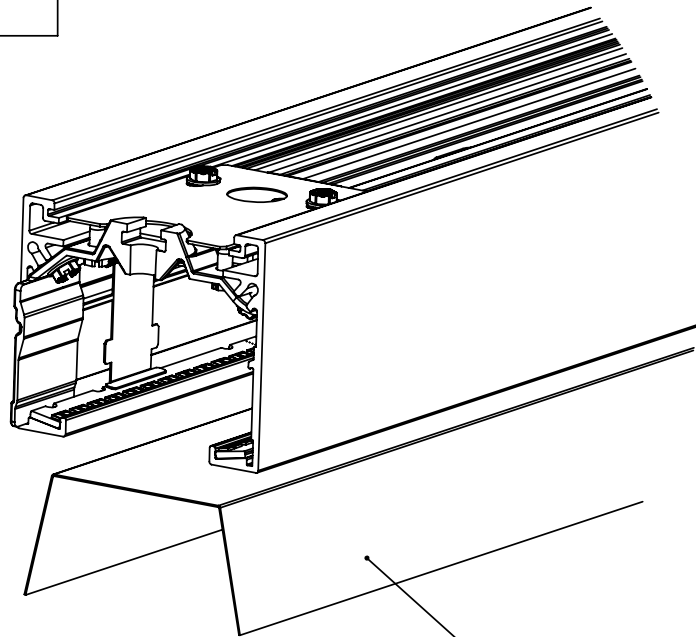
TOOLS REQUIRED

- 1/4" HEX DRIVER/DRILL
- 1/8" HEX KEY
- DRYWALL KNIFE OR OTHER CUTTING TOOL

SUPPLIED BY INSTALLER

- 1/4-20 THREADED ROD (OR EQUAL)
- 1/4" DIA WASHER
- 1/4-20 HEX NUT (MATCH THREADED ROD)

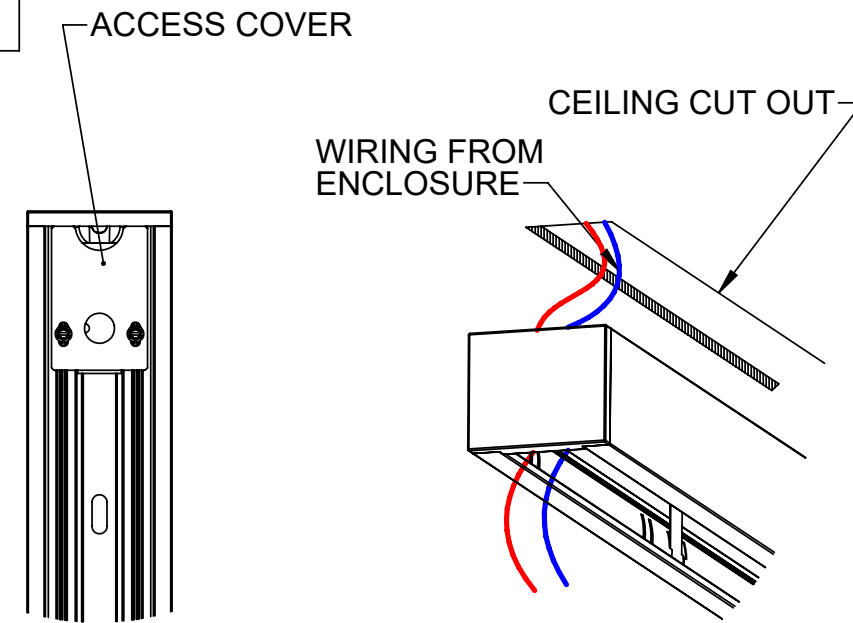
1



REFLECTOR

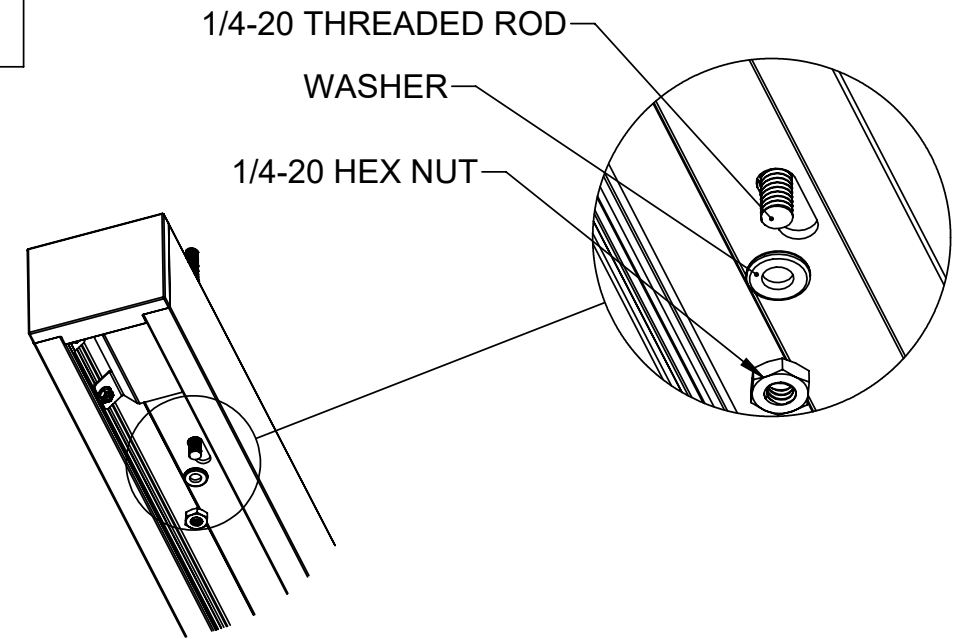
REMOVE REFLECTORS FROM FIXTURE. REMOVE REFLECTOR FROM PROTECTIVE SLEEVE ONLY WHEN READY TO REINSTALL.

2



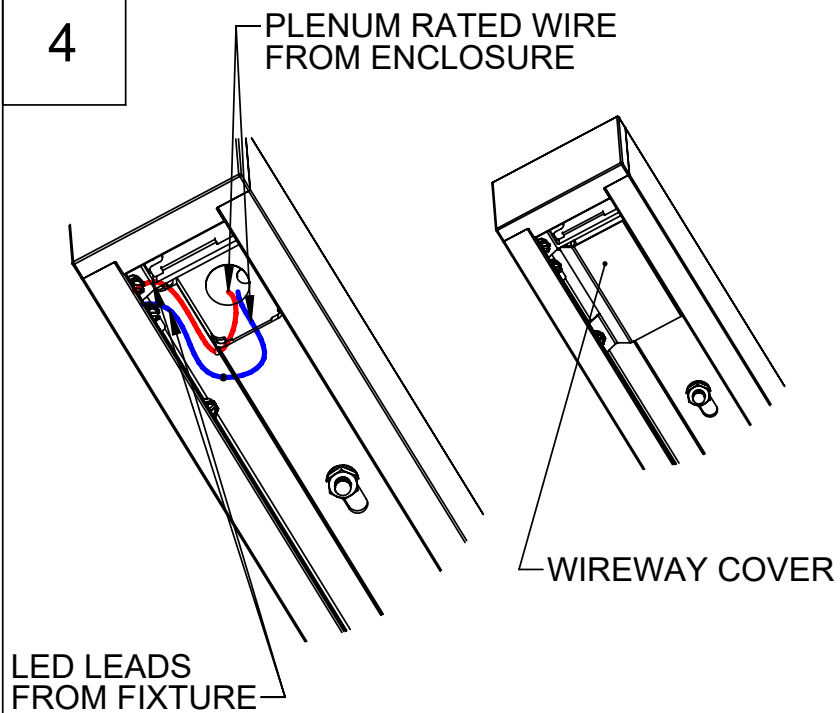
LIFT FIXTURE UP NEAR CEILING OPENING AND BRING PLENUM-RATED WIRE FROM ENCLOSURE, INTO FIXTURE ACCESS COVER KO.

3



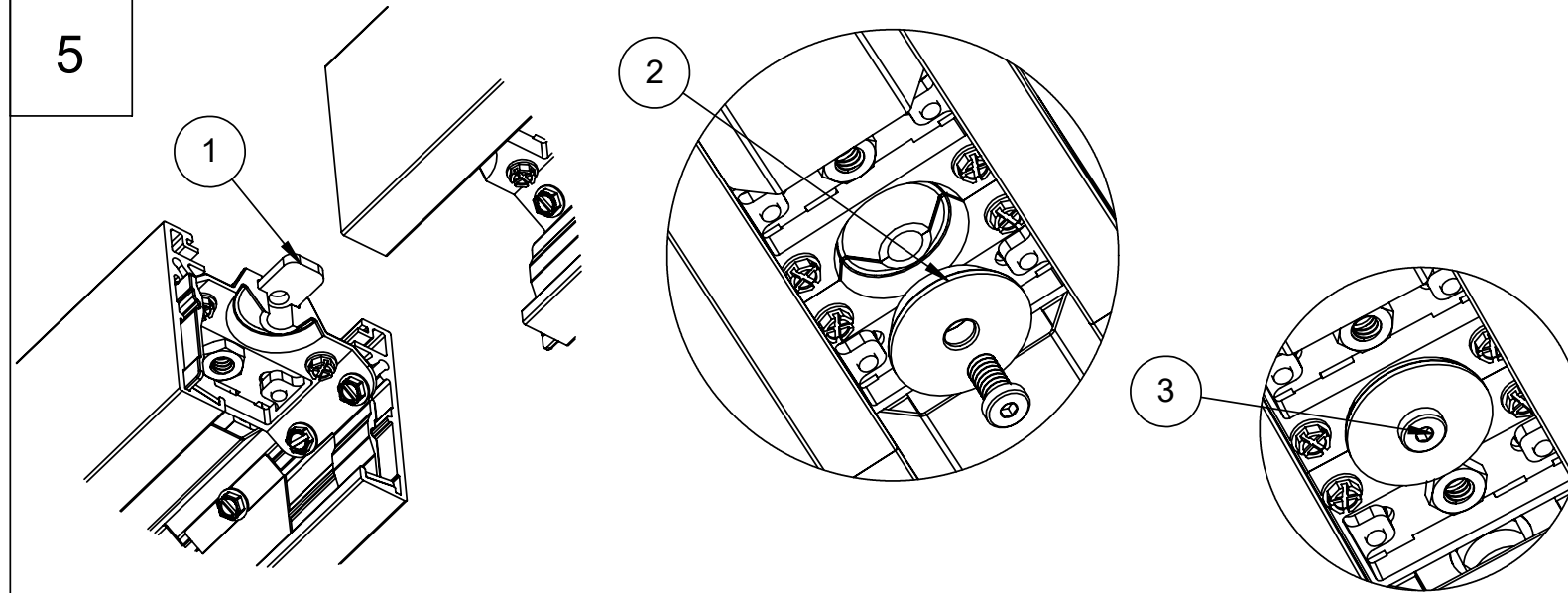
PLACE FIXTURE IN CEILING OPENING AND SECURE TO TWO PREINSTALLED THREADED RODS. REFER TO SHEET 1 FOR THREADED ROD LAYOUT. THREADED RODS CANNOT PROTRUDE INTO FIXTURE MORE THAN 3/8". OTHER MOUNTING METHODS CAN BE CONSIDERED.

4



WIRE PLENUM RATED WIRE FROM ENCLOSURE TO FIXTURE FROM BELOW. ALL WIRES SHOULD BE TUCKED UNDER WIREWAY COVER. IF INSTALLING INDIVIDUAL FIXTURES, REPLACE REFLECTOR.

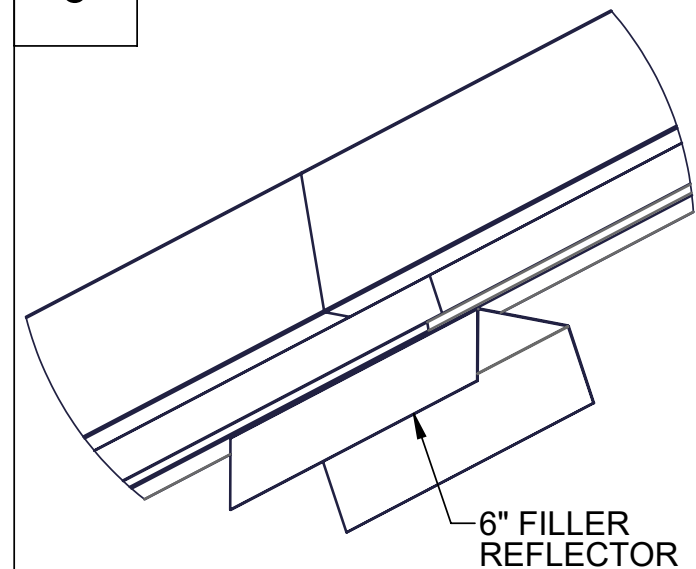
5



FOR ROW JOINING REPEAT STEPS 1 AND 2 ON NEXT FIXTURE. PLACE FLAT STRAP PIECE (1) INTO INSTALLED FIXTURE. CONNECT NEXT FIXTURE. PLACE WASHER (2) AND ROW JOINING SCREW (3) INTO FIXTURES AND SECURE USING 1/8" ALLEN KEY.

AFTER EACH FIXTURE IS JOINED. FOLLOW STEPS 3 AND 4.

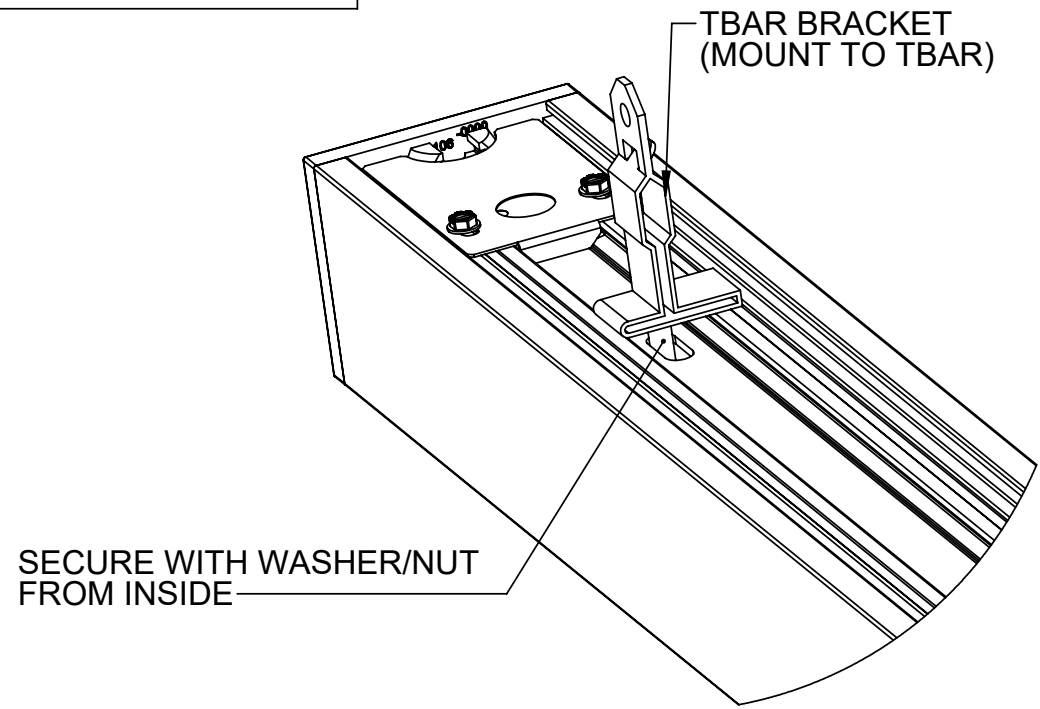
6



REMOVE REFLECTOR FOR THEIR PROTECTIVE SLEEVES AND IMMEDIATELY REINSTALL. INSTALL A 6" FILLER REFLECTOR AT EVERY ROWJOINING LOCATION.

ADDITIONAL INFORMATION

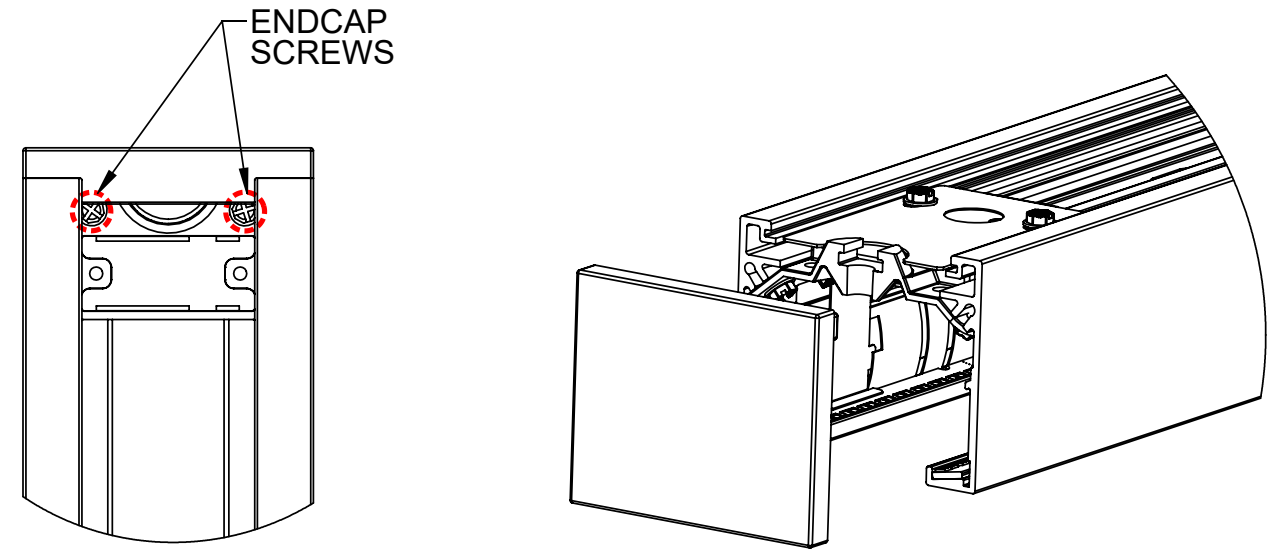
1



FIXTURE CAN BE MOUNTED ON TBAR USING TBAR BRACKET SHOWN. THIS STEP CAN BE SWITCHED WITH STEP 3. SECURE THE SAME WAY AS THE THREADED ROD. OTHER MOUNTING TO TBAR METHODS CAN BE CONSIDERED.

ADDITIONAL INFORMATION

2



WITH THE REFLECTOR REMOVED, REMOVE BOTH ENCAP SCREWS. PULL ENDCAP AWAY FROM FIXTURE TO REMOVE. TO REPLACE FOLLOW IN REVERSE ORDER. HOLD ENDCAP TIGHT TO FIXTURE WHILE SECURING