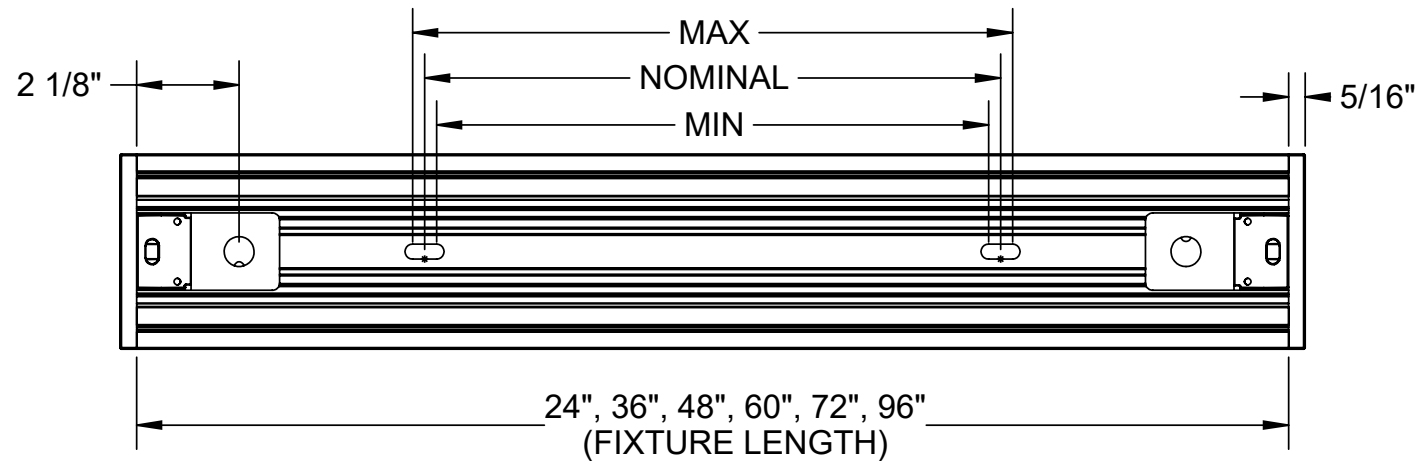


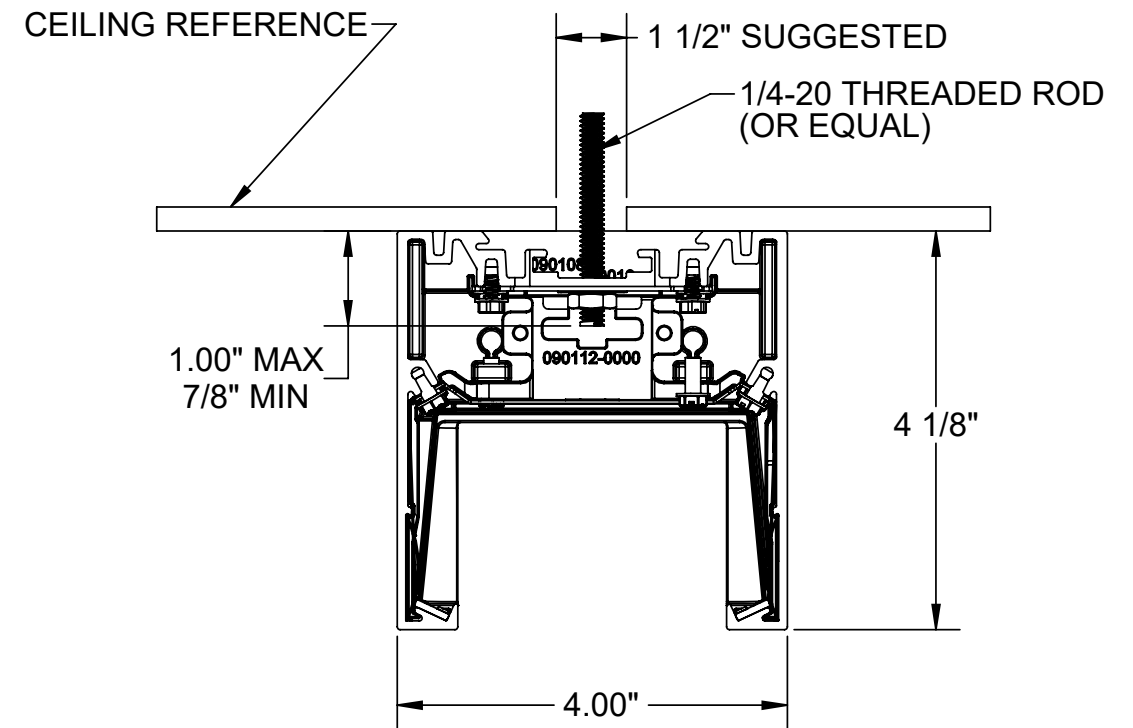
SLOT DIMENSIONS	
MAX	FIXTURE LENGTH MINUS 11 1/2"
NOMINAL	FIXTURE LENGTH MINUS 12"
MIN	FIXTURE LENGTH MINUS 12 1/2"

NOMENCLATURE	
EORL	END OF ROW LEFT
INT	INTERMEDIATE
EORR	END OF ROW RIGHT
IND	INDIVIDUAL

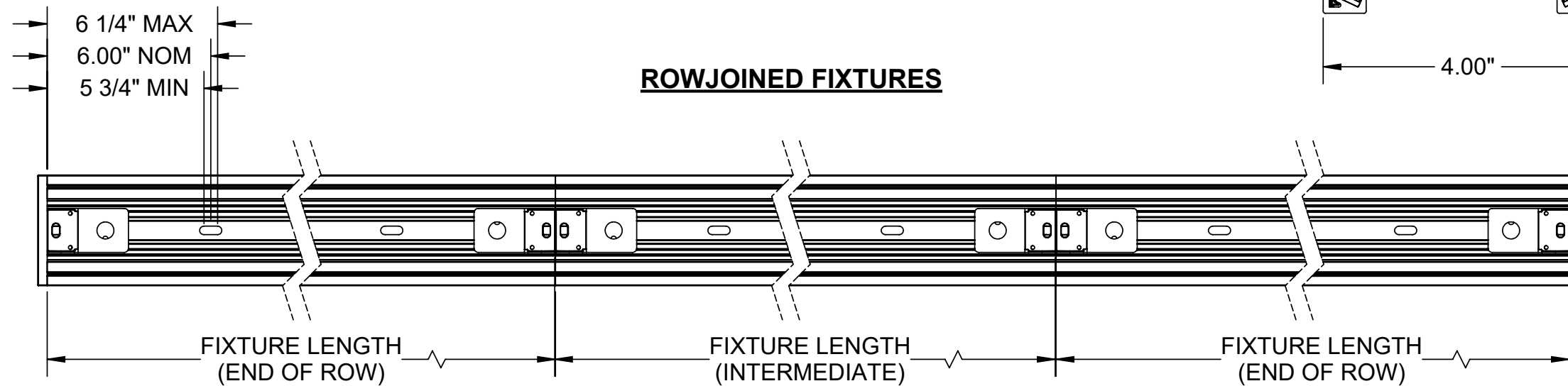
INDIVIDUAL FIXTURE



CROSS SECTION VIEW



ROWJOINED FIXTURES



GENERAL NOTES:

1. REFER TO SUPPLEMENTAL FIXTURE CIRCUIT WIRING, DOCUMENT 510401, FOR THRU WIRING.
2. ENSURE FIXTURE IS FLUSH TO CEILING.
3. SUGGESTED MOUNTING METHOD FOR DRYWALL OR TILE MOUNTED FIXTURES IS TO USE A 1/4-20 (OR EQUAL) THREADED ROD. OTHER METHODS CAN BE EXPLORED.
4. SUGGESTED MOUNTING METHOD FOR ON TBARS WOULD BE TO USE TBAR CLIP SHOWN IN OPTIONAL STEP 1. OTHER METHODS CAN BE EXPLORED.

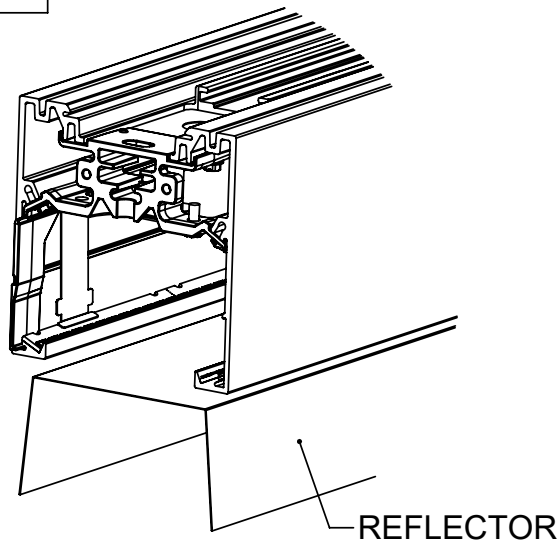
TOOLS REQUIRED

- 1/4" HEX DRIVER/DRILL
- 1/8" HEX KEY
- DRYWALL KNIFE OR OTHER CUTTING TOOL

SUPPLIED BY INSTALLER

- 1/4-20 THREADED ROD (OR EQUAL)
- 1/4" DIA WASHER
- 1/4-20 HEX NUT (MATCH THREADED ROD)

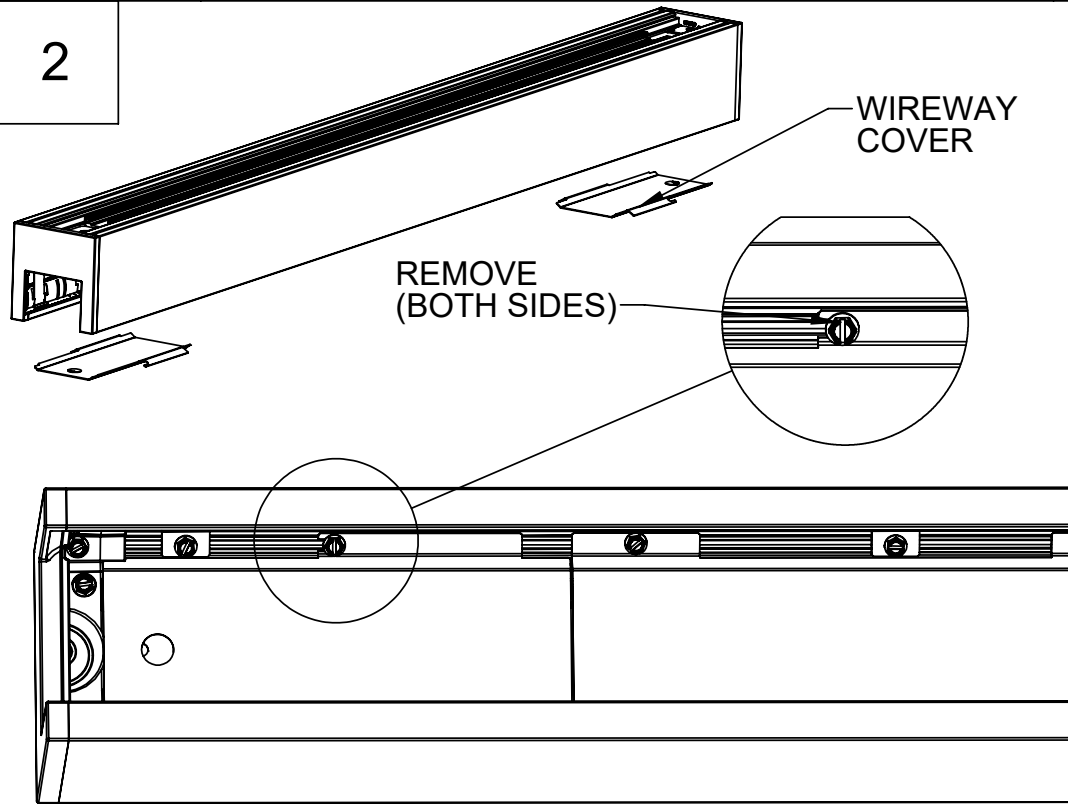
1



REFLECTOR

REMOVE REFLECTOR FROM FIXTURE. REMOVE REFLECTOR FROM PROTECTIVE SLEEVE WHEN READY TO REINSTALL.

2

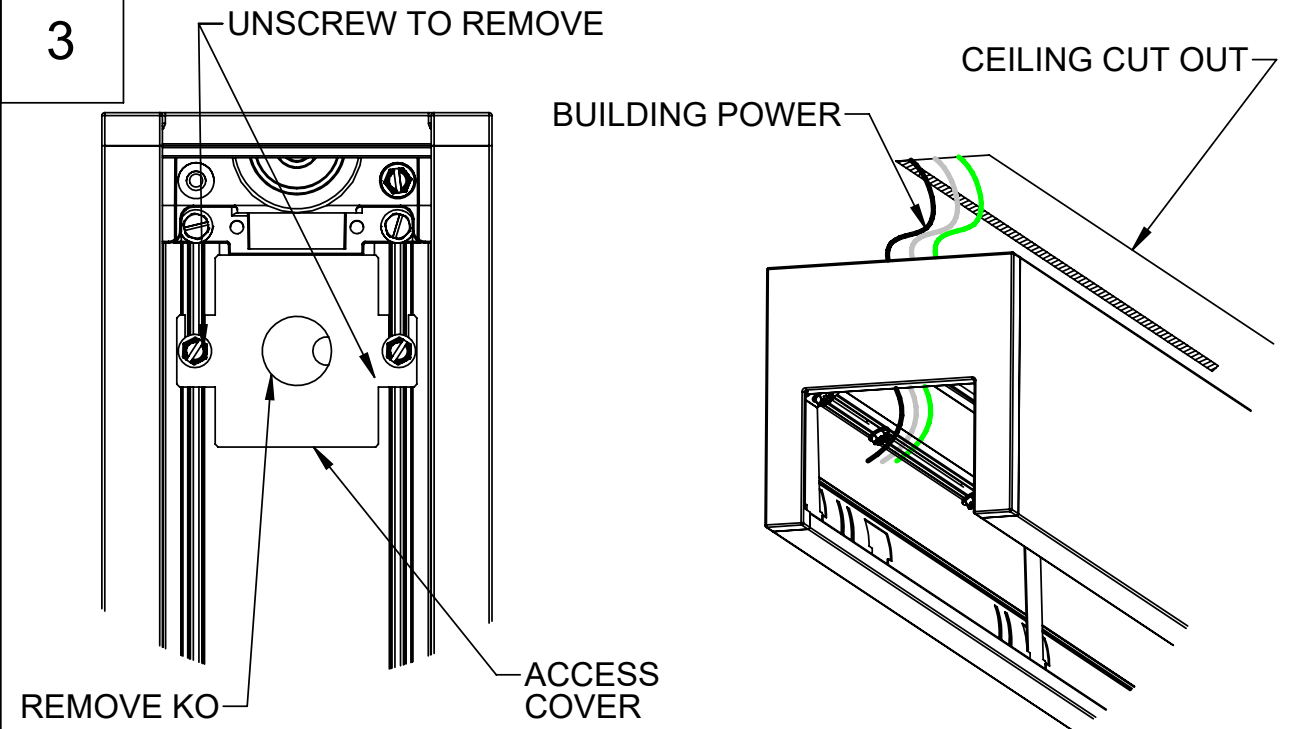


WIREWAY COVER

REMOVE (BOTH SIDES)

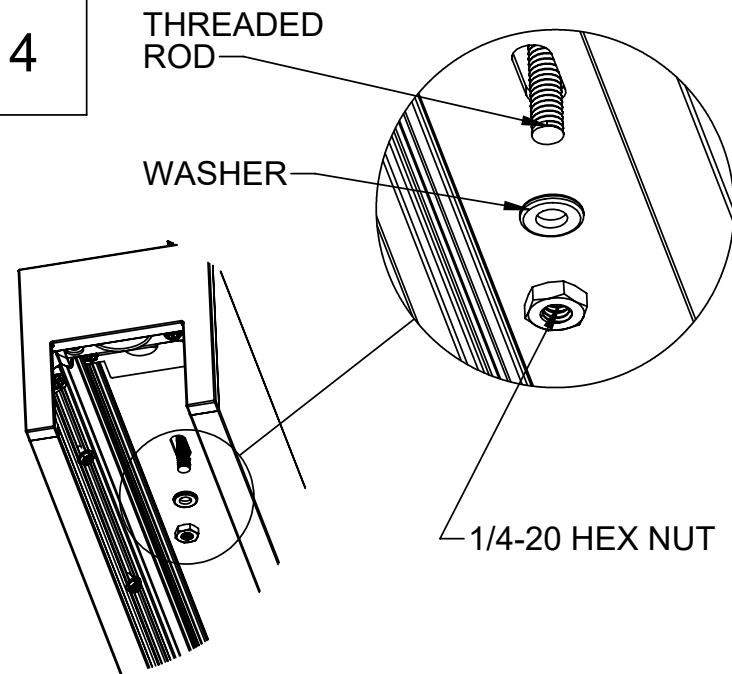
REMOVE WIREWAY COVERS TO ACCESS MOUNTING LOCATION.

3



LIFT FIXTURE UP NEAR CEILING OPENING. FOR INDIVIDUAL AND END OF ROW LEFT FIXTURES, BRING BUILDING POWER INTO FIXTURES' ACCESS COVER. COVER CAN BE REMOVED FROM BELOW FOR SPACE.

4



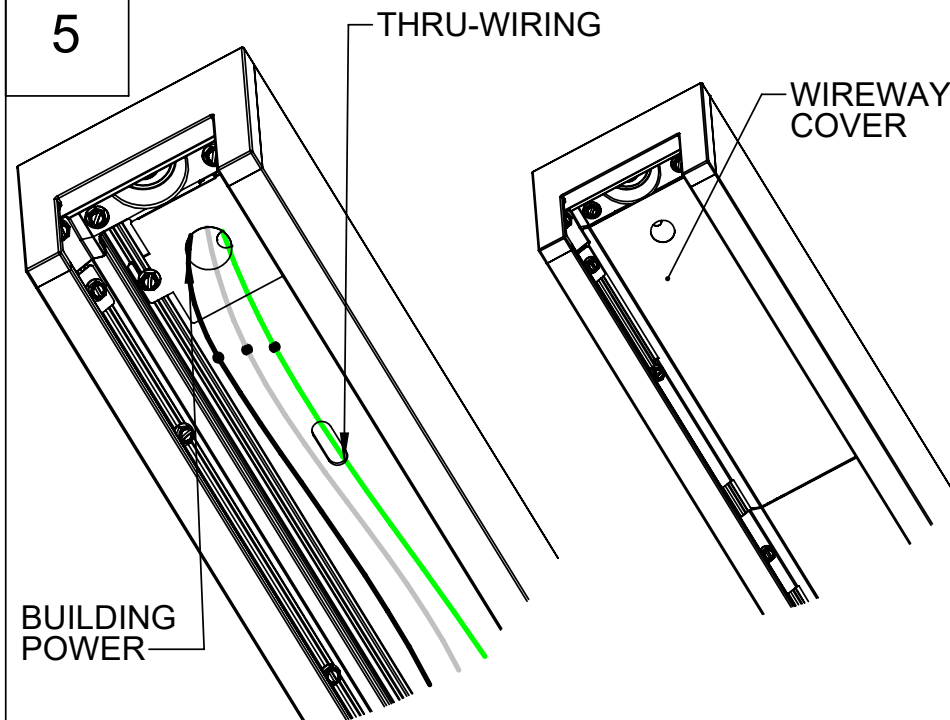
THREADED ROD

WASHER

1/4-20 HEX NUT

PLACE FIXTURE OVER CEILING OPENING AND SECURE TO TWO PREINSTALLED THREADED RODS. REFER TO SHEET 1 FOR THREADED ROD LAYOUT. OTHER METHODS CAN BE EXPLORED TO MOUNT FIXTURE.

5



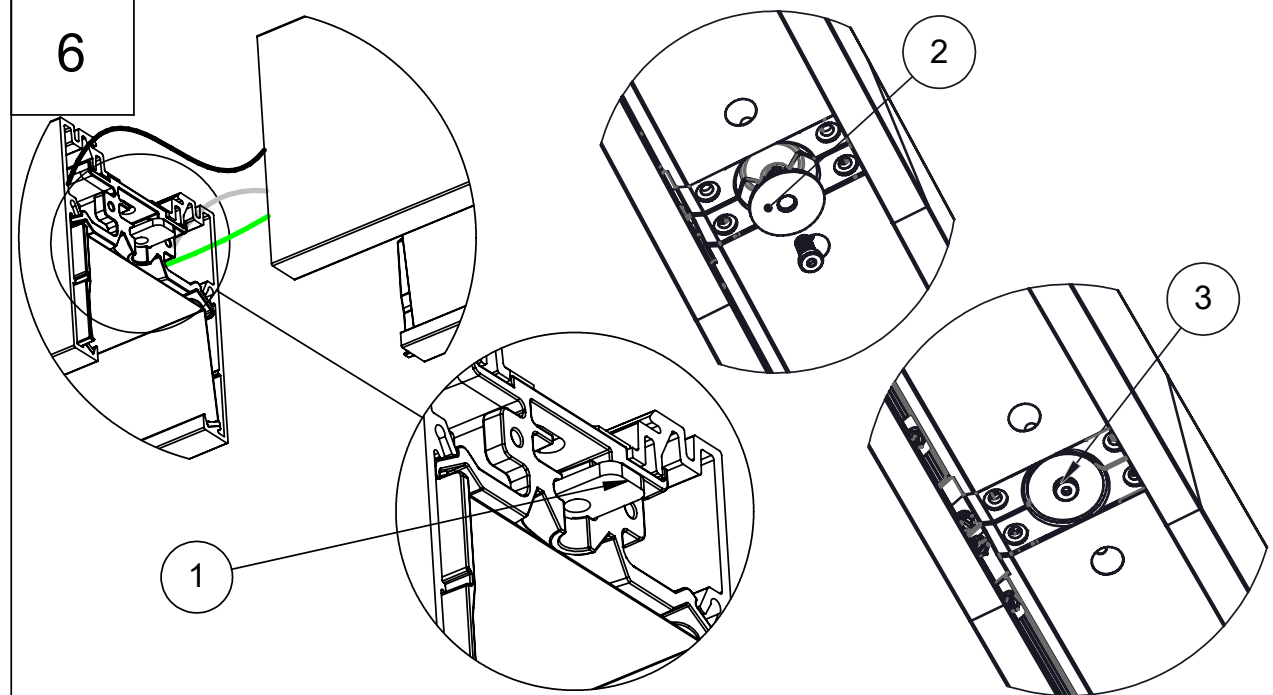
THRU-WIRING

WIREWAY COVER

BUILDING POWER

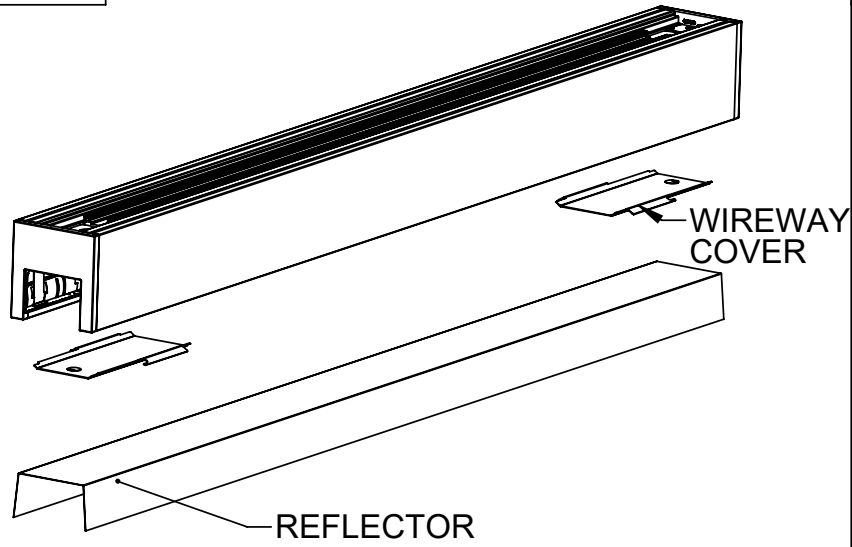
WIRE BUILDING POWER TO FIXTURE FROM BELOW. IF INSTALLING INDIVIDUAL FIXTURES, REPLACE WIREWAY COVERS AND REFLECTOR IN THAT ORDER. ENSURE CONNECTIONS ARE BEHIND WIREWAY COVERS. DRIVER COVER HIDDEN IN VIEW.

6



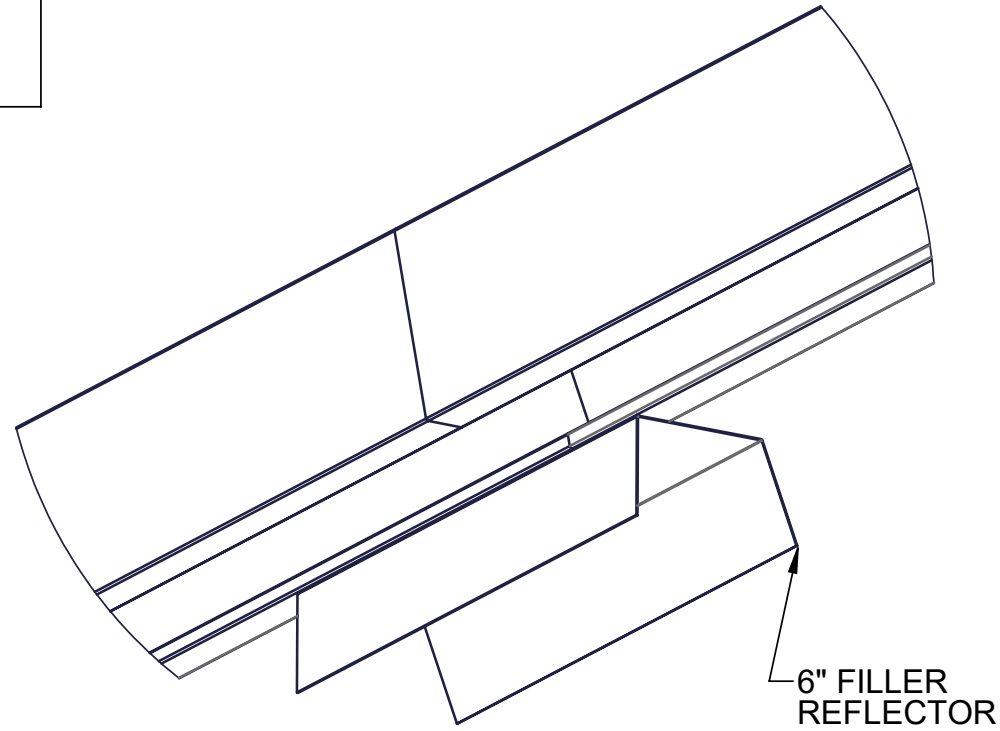
FOR ROW JOINING, REPEAT STEPS 1 AND 2 ON NEXT FIXTURE. PLACE FLAT STRAP PIECE (1) INTO INSTALLED FIXTURE. CONNECT THRU WIRING TO NEXT FIXTURE. CONNECT FIXTURES TOGETHER. PLACE WASHER (2) AND ROW JOINING SCREW (3) INTO FIXTURES AND SECURE USING 1/8" ALLEN KEY. FOLLOW STEP 4 AFTER EACH FIXTURE IS JOINED. REPEAT UNTIL ROW IS INSTALLED.

7



REPLACE ALL WIREWAY COVERS. REMOVE REFLECTORS FROM THEIR PROTECTIVE SLEEVES AND IMMEDIATELY REINSTALL.

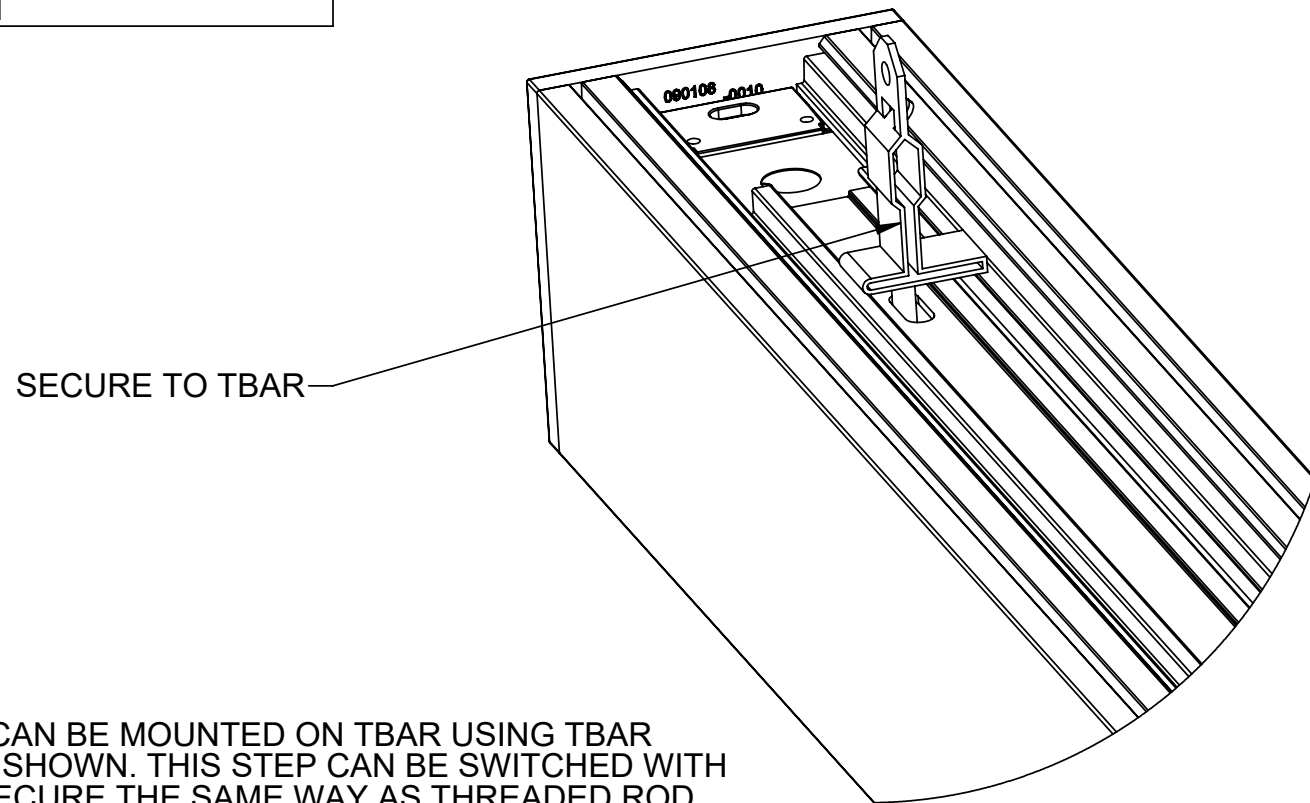
8



INSTALL 6" FILLER REFLECTOR AT EVERY ROW JOINING LOCATION.

ADDITIONAL INSTALLATION INFORMATION

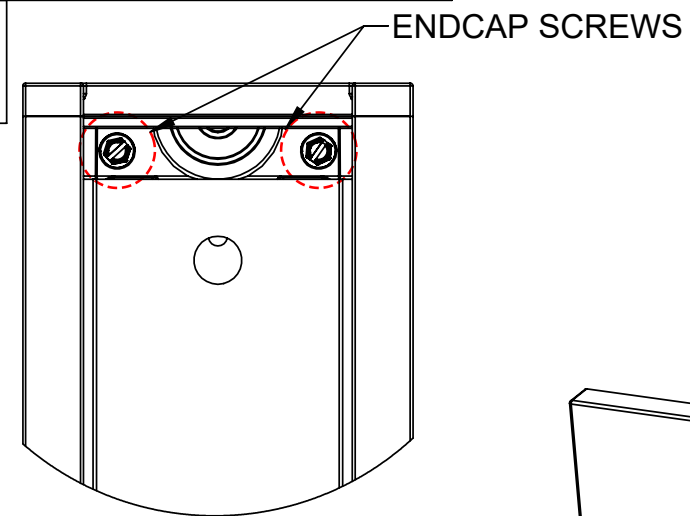
1



FIXTURE CAN BE MOUNTED ON TBAR USING TBAR BRACKET SHOWN. THIS STEP CAN BE SWITCHED WITH STEP 4. SECURE THE SAME WAY AS THREADED ROD.

ADDITIONAL INSTALLATION INFORMATION

2



WITH THE REFLECTOR REMOVED, REMOVE BOTH ENDCAP SCREWS. PULL ENDCAP AWAY FROM FIXTURE. TO REPLACE, REPEAT IN REVERSE. HOLD ENDCAP TIGHT TO FIXTURE WHILE SECURING.

