

INSTALLATION INSTRUCTIONS

LiteBox[®] Standard LBRST



BEFORE YOU BEGIN / AVANT DE COMMENCER

Read these instructions completely and carefully.

Wear work gloves to prevent dirt and oil from being transferred to the luminaire

⚠ IMPORTANT SAFEGUARDS / MESURES DE SÉCURITÉ IMPORTANTES

- | | |
|---|--|
| <ul style="list-style-type: none"> • Turn power off before inspection, installation or removal. • Install this kit only in the luminaire that has the construction features and dimensions shown in the photographs and/or drawings. • Installation of this retrofit assembly requires a person familiar with the construction and operation of the luminaire's electrical system and the hazard involved. If not qualified, do not attempt installation. Contact a qualified electrician. • To prevent wiring damage or abrasion, do not expose wiring to edges of sheet metal or other sharp objects. • Do not make or alter any open holes in an enclosure of wiring or electrical components during kit installation. • Installation requires input rating of the retrofit kit to not exceed the input rating of the luminaire. | <ul style="list-style-type: none"> • Couper l'alimentation avant l'inspection, l'installation ou d'effectuer de la maintenance • Risques d'incendie ou choc L'installation de trousse de mise à niveau au DEL nécessite des connaissances des systèmes électriques d'éclairage. • Risque d'incendie ou d'électrocution. N' installez cette trousse que sur des luminaires qui ont les caractéristiques de construction et les dimensions telles que montrées sur les photographies et dessins présentés. • Pour prévenir les dommages ou l'abrasion de fils électriques, ne pas exposer les fils aux arêtes de pièce de tôle ou n'importe quels autres objets tranchant. • Ne pas percer ou altérer les trous d'un boîtier contenant fil ou composant électrique durant l'installation. • L'installation nécessite que la valeur nominale d'entrée du kit ne dépasse pas la valeur nominale d'entrée du luminaire originale. |
|---|--|

⚠ CAUTION / ATTENTION

- | | |
|--|---|
| <ul style="list-style-type: none"> • Fixture may fall down if not installed properly, follow installation instructions. • Wear safety glasses and proper aid during installation and maintenance. • Use only UL certified wire, wire connectors, minimum 18AWG, minimum rated 75°C. | <ul style="list-style-type: none"> • Le luminaire peut tomber s'il n'est pas installé correctement, suivre les instructions d'installation. • Porter des lunettes de sécurité et les aides appropriées lors de l'installation et de l'entretien. • N'utilisez que des fils approuvés par UL pour les entrées/sorties de connexion. Calibre minimum 18AWG (0.75mm²) et température minimale de 75°C. |
|--|---|

Prepare Electrical Wiring



Electrical Requirements

- The LED luminaire must be connected to the mains supply according to its ratings on the product label.
- Class 1 wiring should be in accordance with NEC.



Grounding Instructions

- The grounding and bonding of the overall system shall be done in accordance to local electric code of the country where the luminaire is installed.

Save These Instructions

Use only in the manner intended by the manufacturer. If you have any questions, contact the manufacturer.

This device complies with Part 15 of the FCC Rules. Operation is subject to the following two conditions: (1) This device may not cause harmful interference, and (2) this device must accept any interference received, including interference that may cause undesired operation. CAN ICES-005(A)/NMB-005(A)

Note: This equipment has been tested and found to comply with the limits for a Class A digital device, pursuant to part 15 of the FCC Rules. These limits are designed to provide reasonable protection against harmful interference when the equipment is operated in a commercial environment. This equipment generates, uses, and can radiate radio frequency energy and, if not installed and used in accordance with the instruction manual, may cause harmful interference to radio communications. Operation of this equipment in a residential area is likely to cause harmful interference in which case the user will be required to correct the interference at their own expense

INSTALLATION INSTRUCTIONS

LiteBox® Standard LBRST

① Provided Components

The components have been properly packed to avoid damage during transit. Inspect the components to confirm there is no physical damage. Do not install damaged components.

② Luminaire Installation

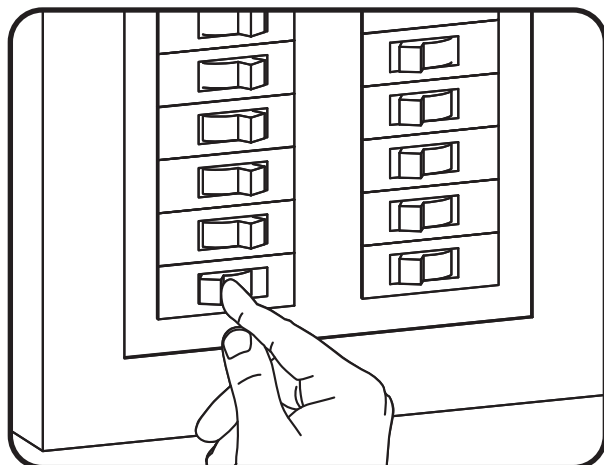
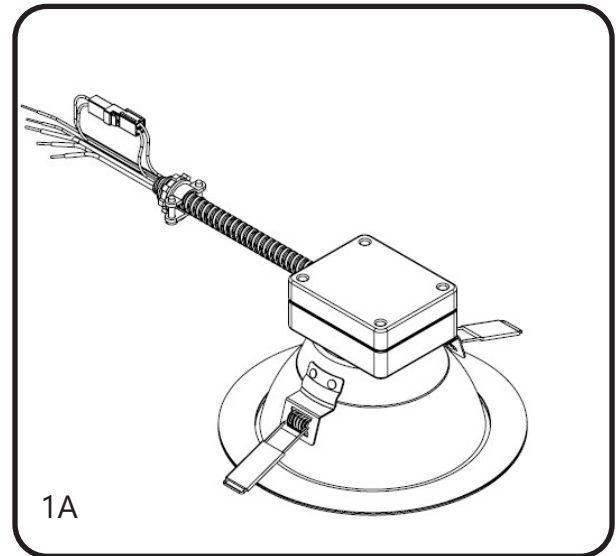
Before installation, verify that the existing junction box and bracket are metal construction, designed similarly to Illustration 1A.

Components List

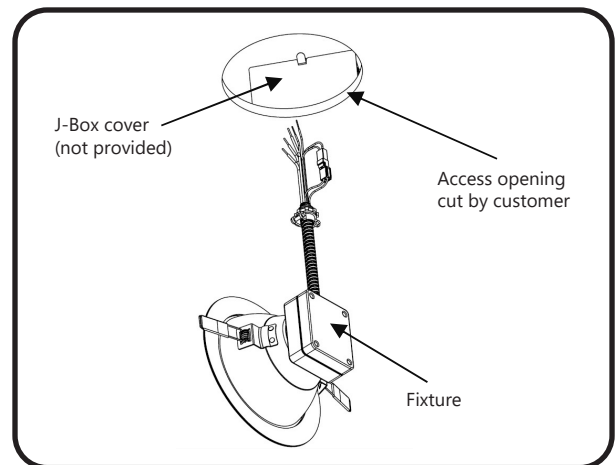
- LBRST Series Fixture Module/Trim
- Installation Instructions

Table 1

Fixture Size	Fixture Type	Existing Bracket Hole Size (inch)	Suitable Fixture	Maximum Ceiling Thickness
4	Round	4.20" – 5.50"	LBRST-4RD-xxxxx	3/4"
6	Round	5.91" – 6.50"	LBRST-6RD-xxxxx	1"
8	Round	7.68" – 8.27"	LBRST-8RD-xxxxx	1"



- A** Ensure that the power to the unit is turned off. Use proper lockout/tagout procedures.

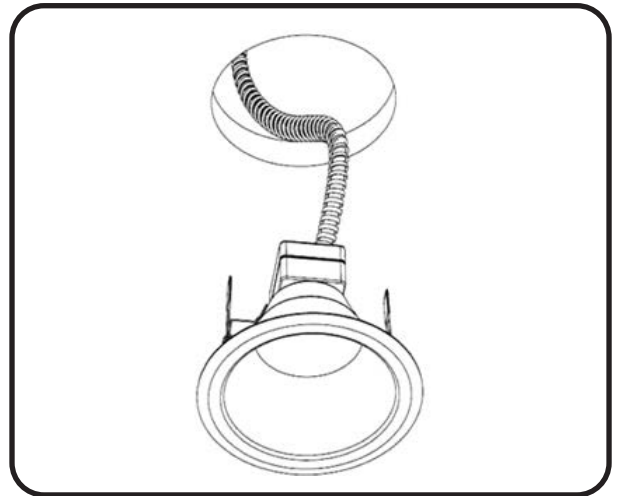
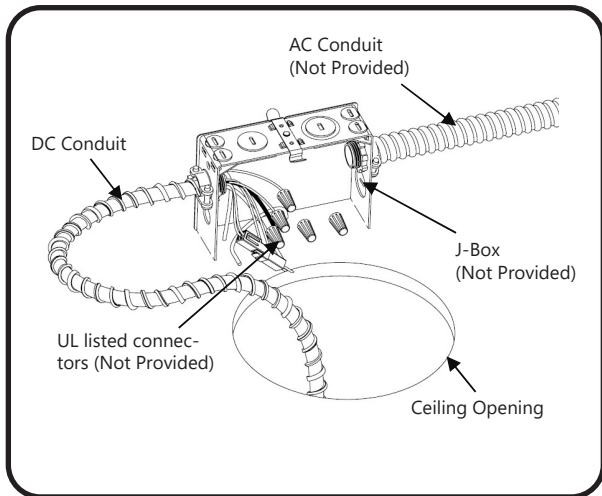


- B** Cut an access opening in the ceiling with the diameter listed in TABLE 1, and install the fixture to the ceiling per the codes. Make sure the ceiling can withstand the weight of the fixture and the thickness of ceiling be less than the list in TABLE 1.

Ensure the center of existing J-Box cover is visible through the access opening, and the connections to the branch circuit supply are visible through the access opening.

INSTALLATION INSTRUCTIONS

LiteBox® Standard LBRST



- C** Connect conduit end with input leads to existing junction box and make the proper connections. Make all electrical connections using UL Listed wire connectors. Securely close the junction box.

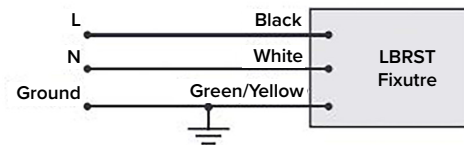
Note: Junction box not included with luminaire.

Optional Dimmer: When connecting a dimming controller, low-voltage dimming wires must route through a separate knockout. Connect the purple (dimming+) and gray or pink (dimming-) to the purple and gray (or pink) wires of the fixture.

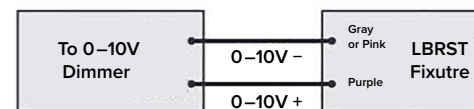
Note: Cap all unused dimming leads with wire nuts.

Note: Dimming compatibility and recommended dimmers, please visit: currentlighting.com/prescolite

Wiring Diagram 3A:



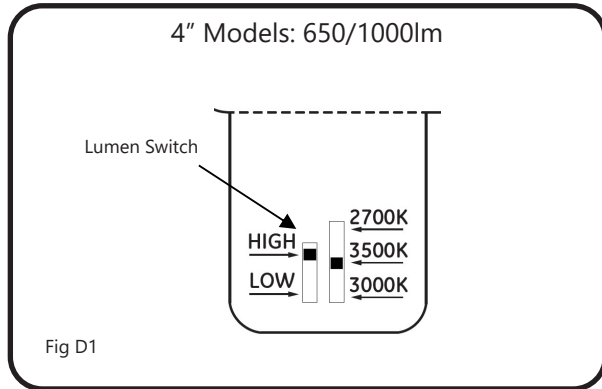
0-10 Volt Dimming



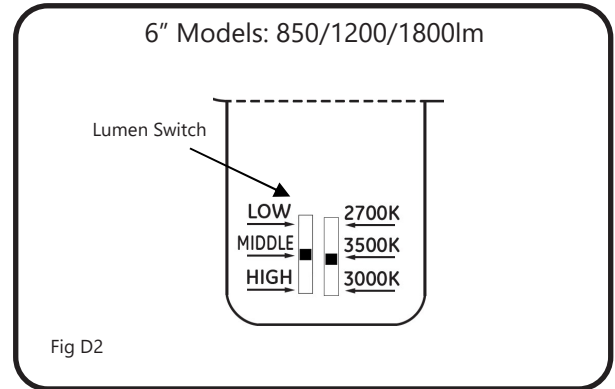
INSTALLATION INSTRUCTIONS

LiteBox® Standard LBRST

D Select Lumen

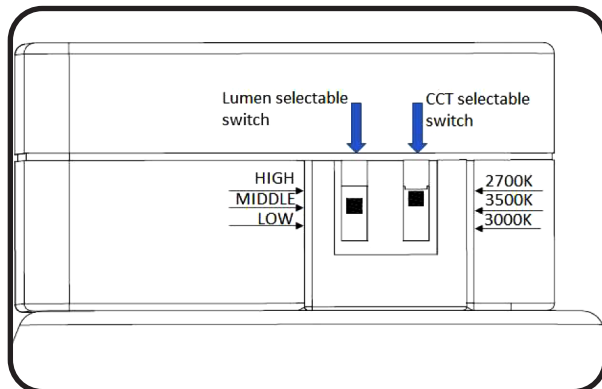


Note: For 4" models, the default lumen setting is HIGH (1000lm). Push the switch down to LOW to activate 650lm.

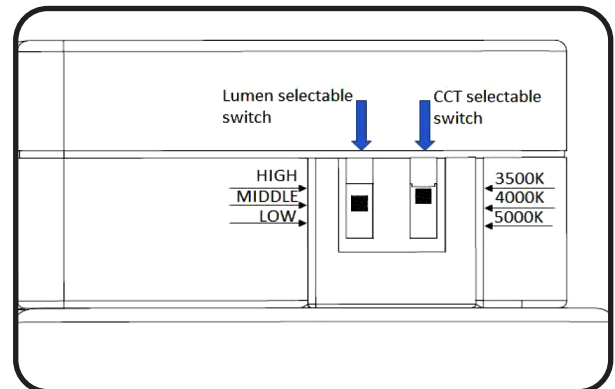


Note: For 6" models, the default lumen setting is MIDDLE (1200lm). Push the switch up to LOW for 850 lm or down to HIGH for 1800lm. (8" models are standard with 3000lm and are not lumen selectable.)

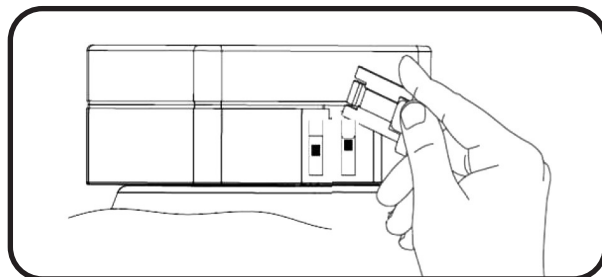
E Select CCT



Note: For 2700K/3000K/3500K luminaires, the default CCT is 3500K. Push the switch up to activate 2700K, push the switch down to activate 3000K.



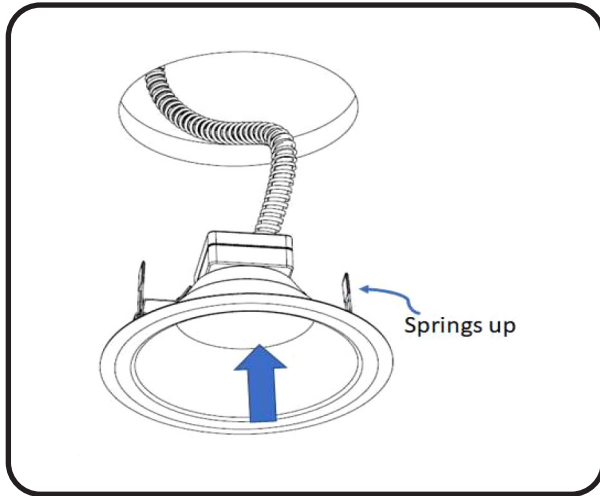
Note: For 3500K/4000K/5000K luminaires, the default CCT is 4000K. Push the switch up to activate 3500K, push the switch down to activate 5000K.



Note: The cover of the lumen/CCT switches can be used as a tool to select lumen and CCT.

INSTALLATION INSTRUCTIONS

LiteBox® Standard LBRST



- F** Load springs into upright position by twisting the springs upward and carefully insert the fixture to the hole of the rough-in frame. Verify that the reflector trim is flush to the ceiling.

! CAUTION/ATTENTION

RISK OF PERSONAL INJURY

Operators shall ensure no appendages are in the path of the torsion springs as they are a pinch hazard when released.

The springs will release when the arm is flexed downward. Be cautious that no body part is in the path of the spring when released.

RISQUE DE BLESSURE CORPORELLE

Les techniciens veilleront à ce qu'aucun appendice ne se trouve sur le chemin des ressorts de torsion, car ils présentent un risque de pincement lorsqu'ils sont libérés.

Les ressorts seront libérés au moment de fléchir le bras vers le bas. Faites attention à ce qu'aucune partie du corps ne se trouve sur le chemin du ressort à sa libération.