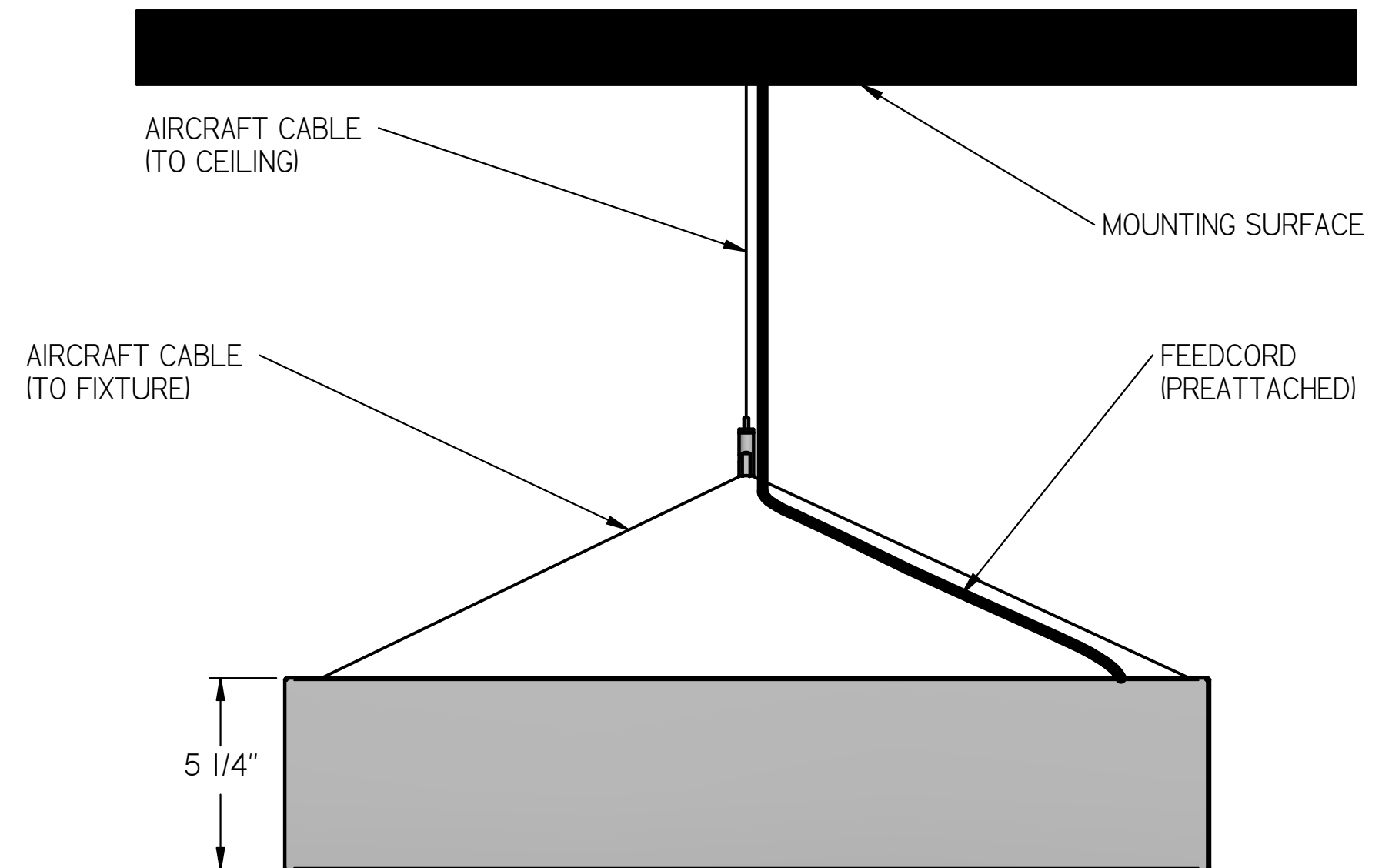
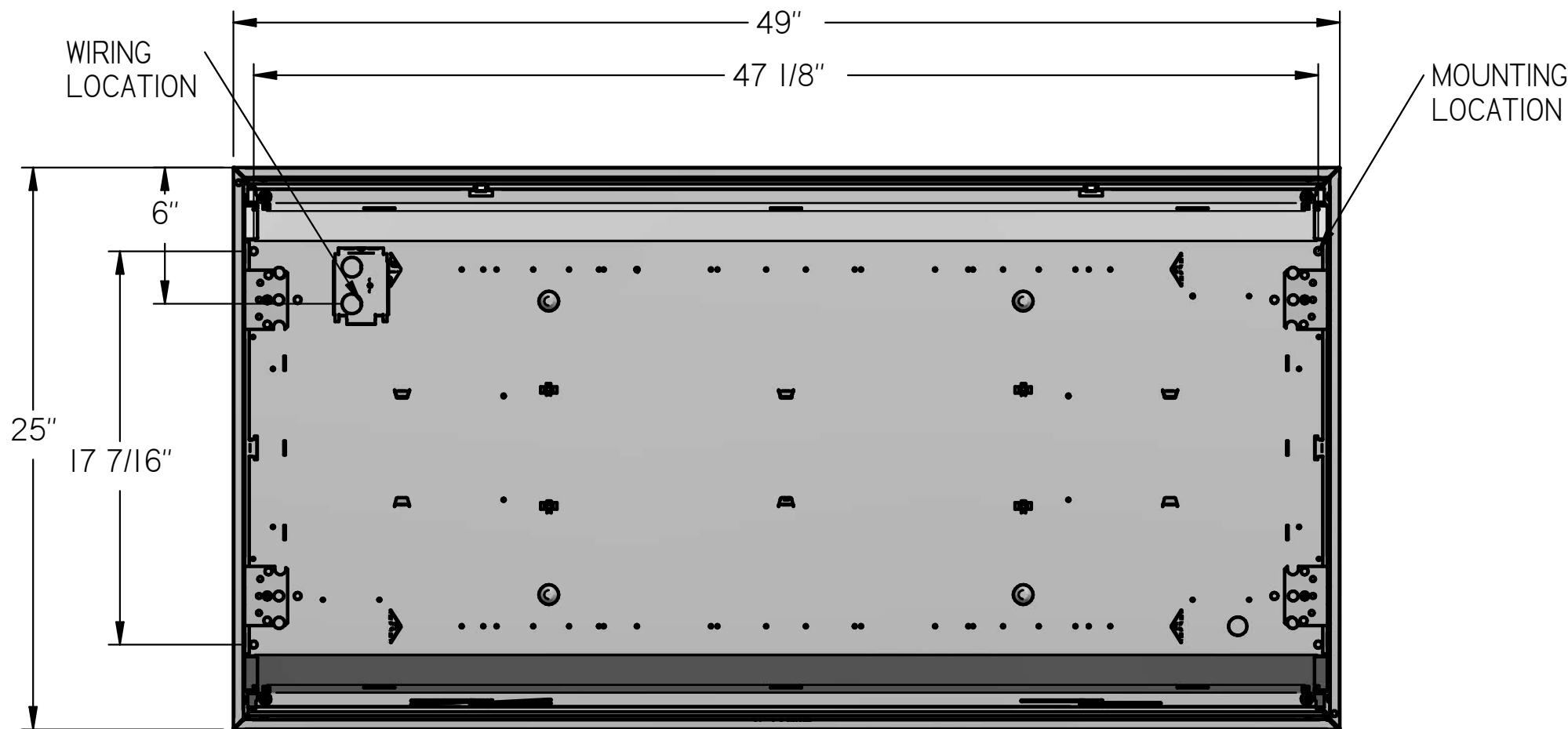
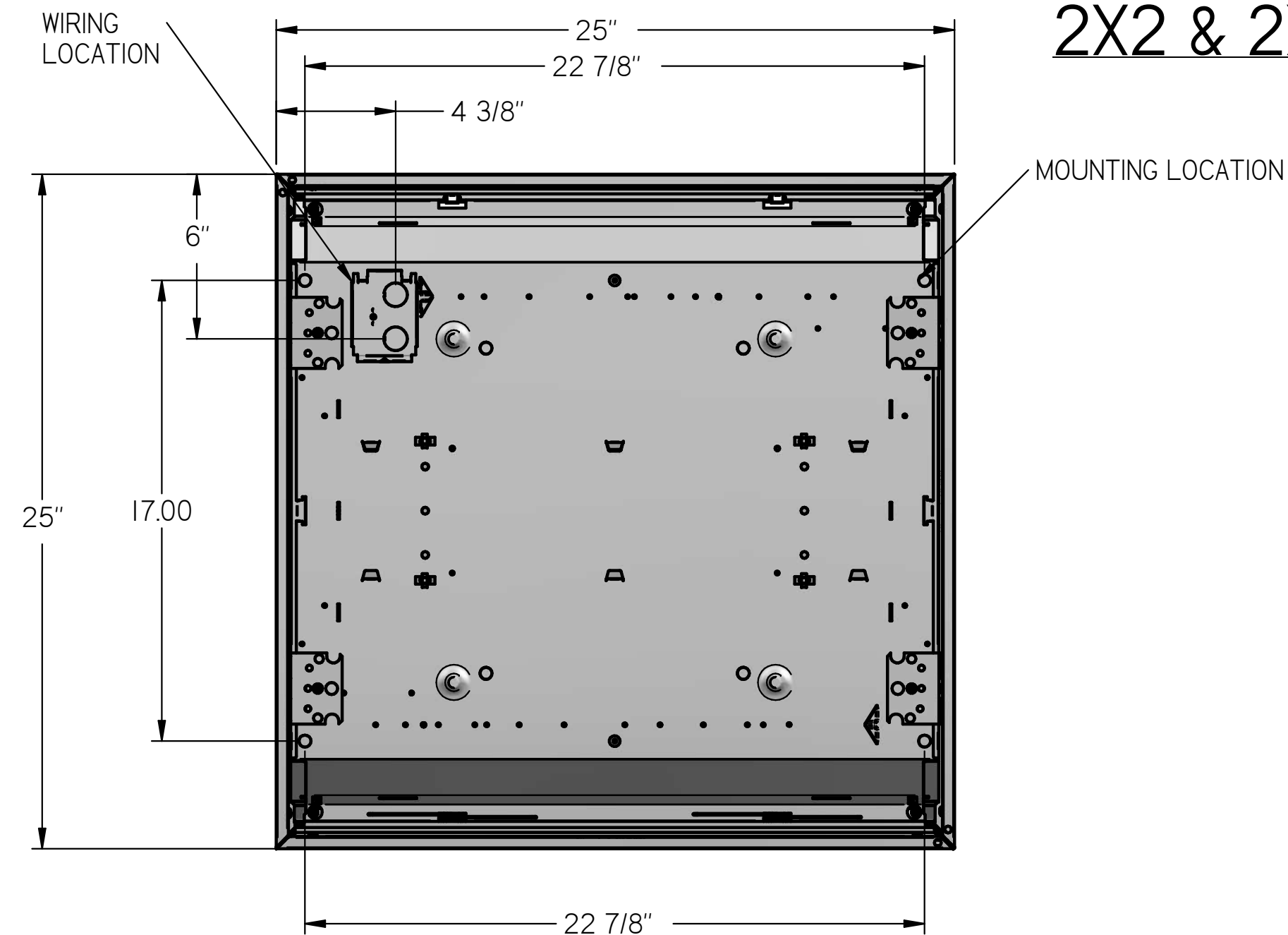


2X2 & 2X4 PENDANT FIXTURE

TOP VIEW

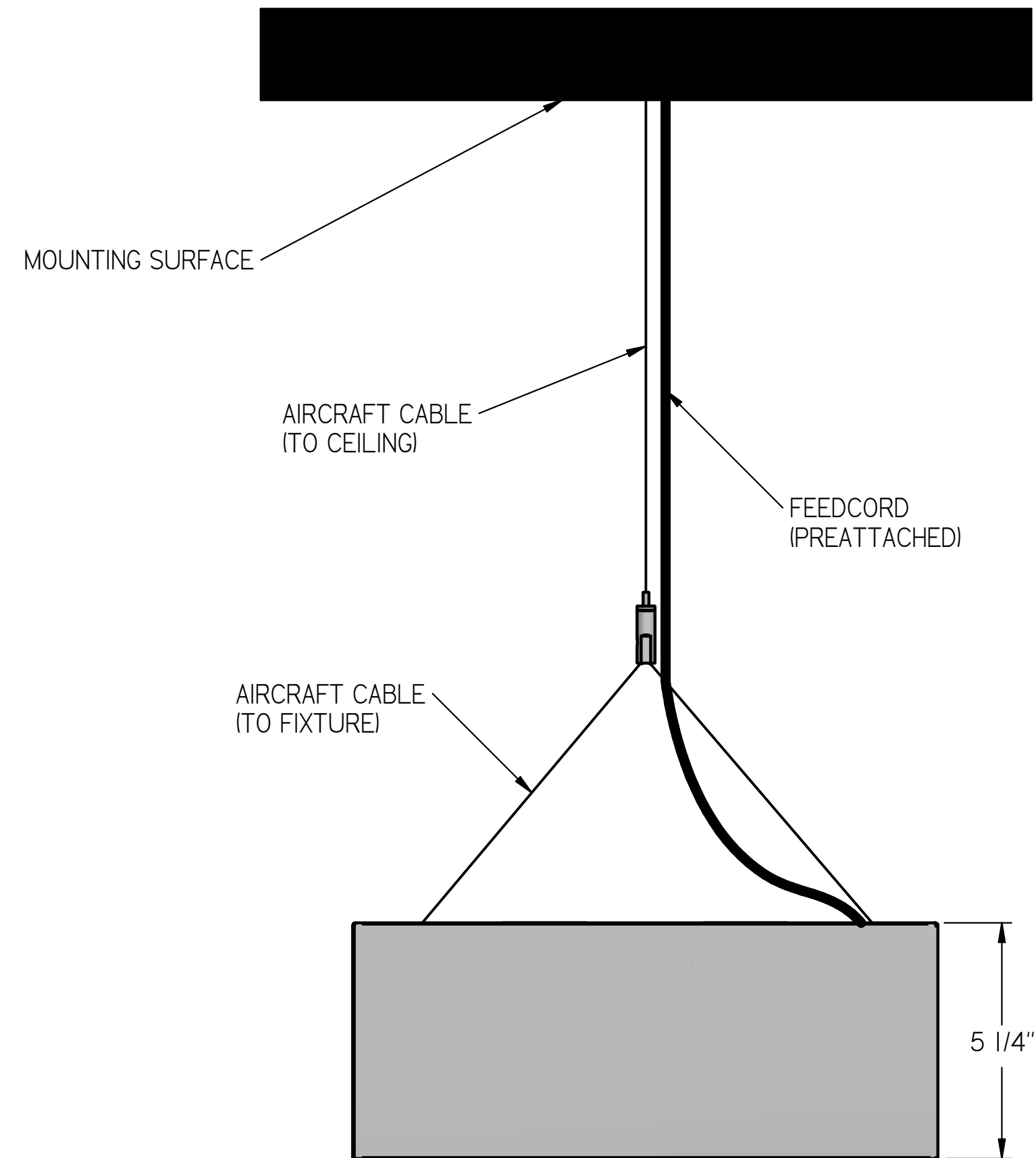
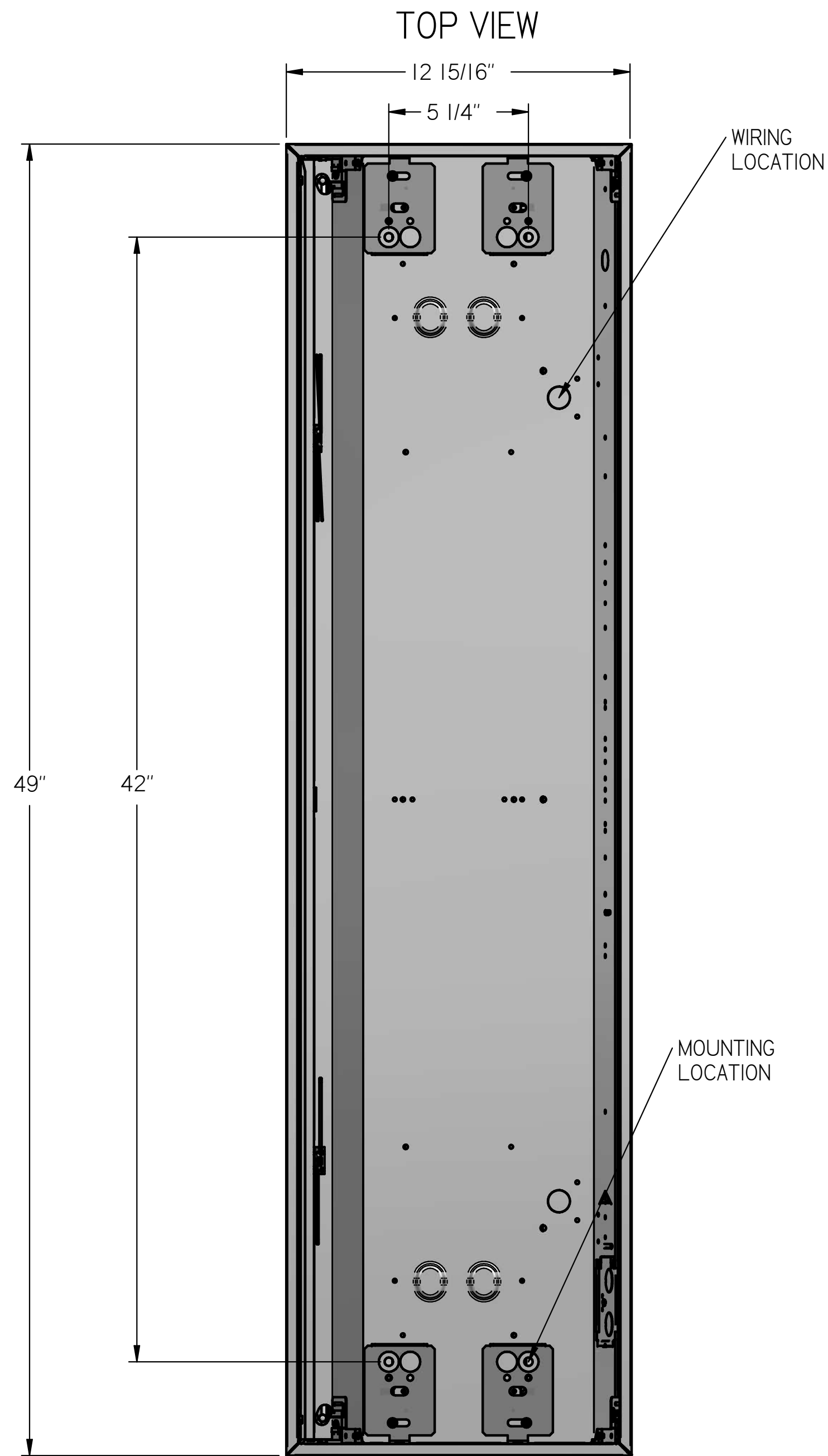


GENERAL NOTES:

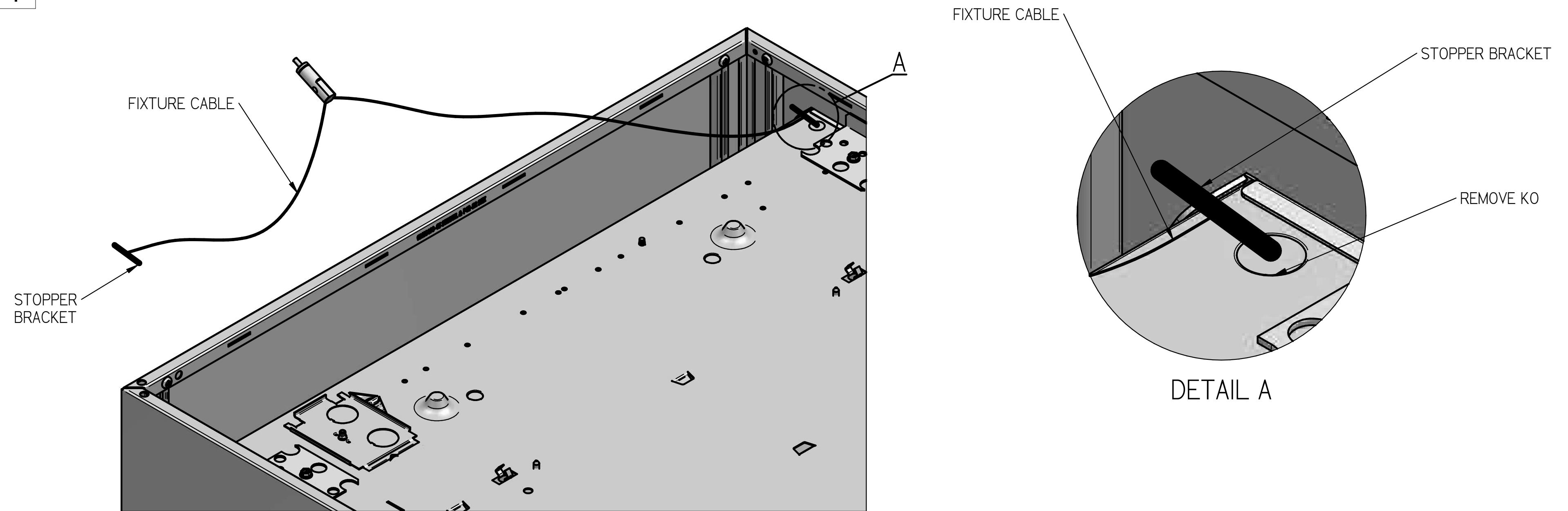
- 1) REFER TO SUPPLEMENTAL CANOPY INSTALLATION GUIDES INCLUDED WITH CABLE MOUNT KIT FOR CEILING SIDE MOUNTING METHODS.
- 2) REFER TO COMPONENT REPLACEMENT GUIDE 93166200 FOR COMPONENT REPLACEMENT.
- 3) IF APPLICABLE, REMOVE DOOR STRAPPING ONCE FIXTURE IS FULLY INSTALLED.

TOOLS REQUIRED	SUPPLIED BY INSTALLER
-WIRE SNIPS	

IX4 PENDANT FIXTURE

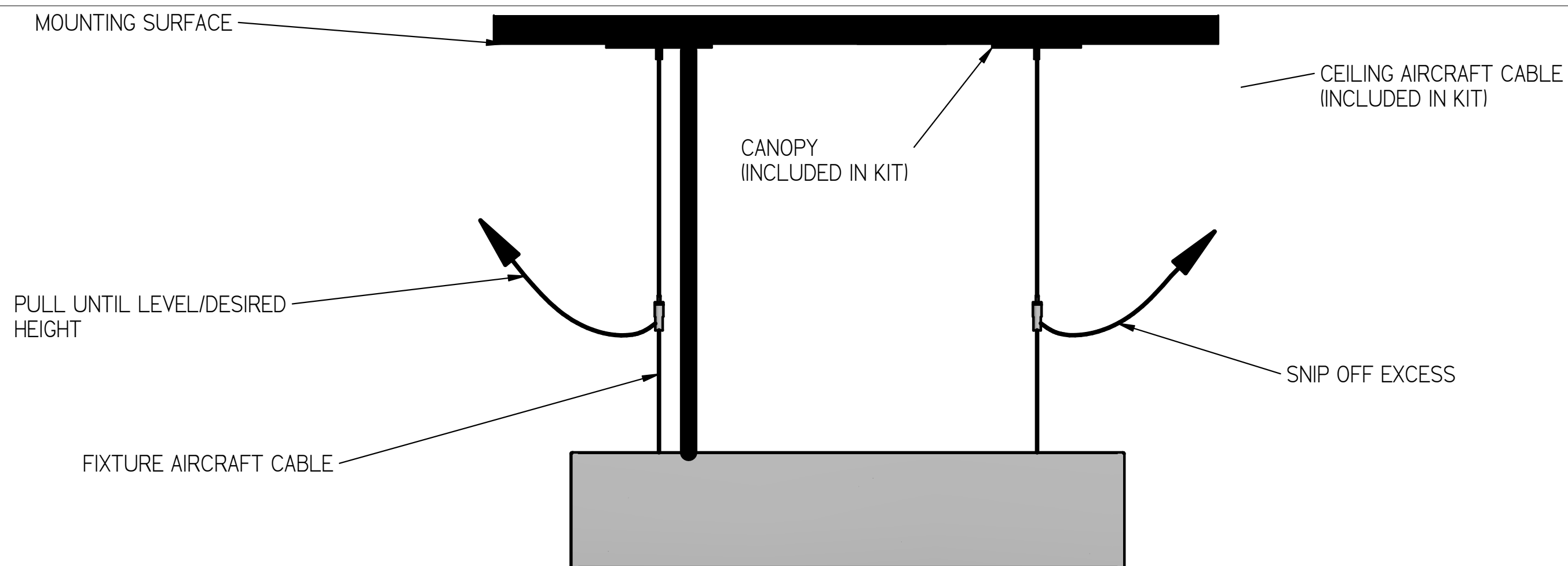


1



FOR 2X2 AND 2X4 FIXTURES REMOVE THE 4 KO'S, ONE IN EACH CORNER. THEN INSERT THE STOPPER BRACKET PREATTACHED TO THE FIXTURE CABLE INTO ONE OF THE KO'S. PULL UP ON CABLE TO ALLOW STOPPER BRACKET TO BECOME FLAT TO HOUSING. INSERT THE OTHER STOPPER BRACKET ON THE OTHER END OF THE FIXTURE CABLE INTO THE NEXT KO. REPEAT ON BOTH SIDES.

2

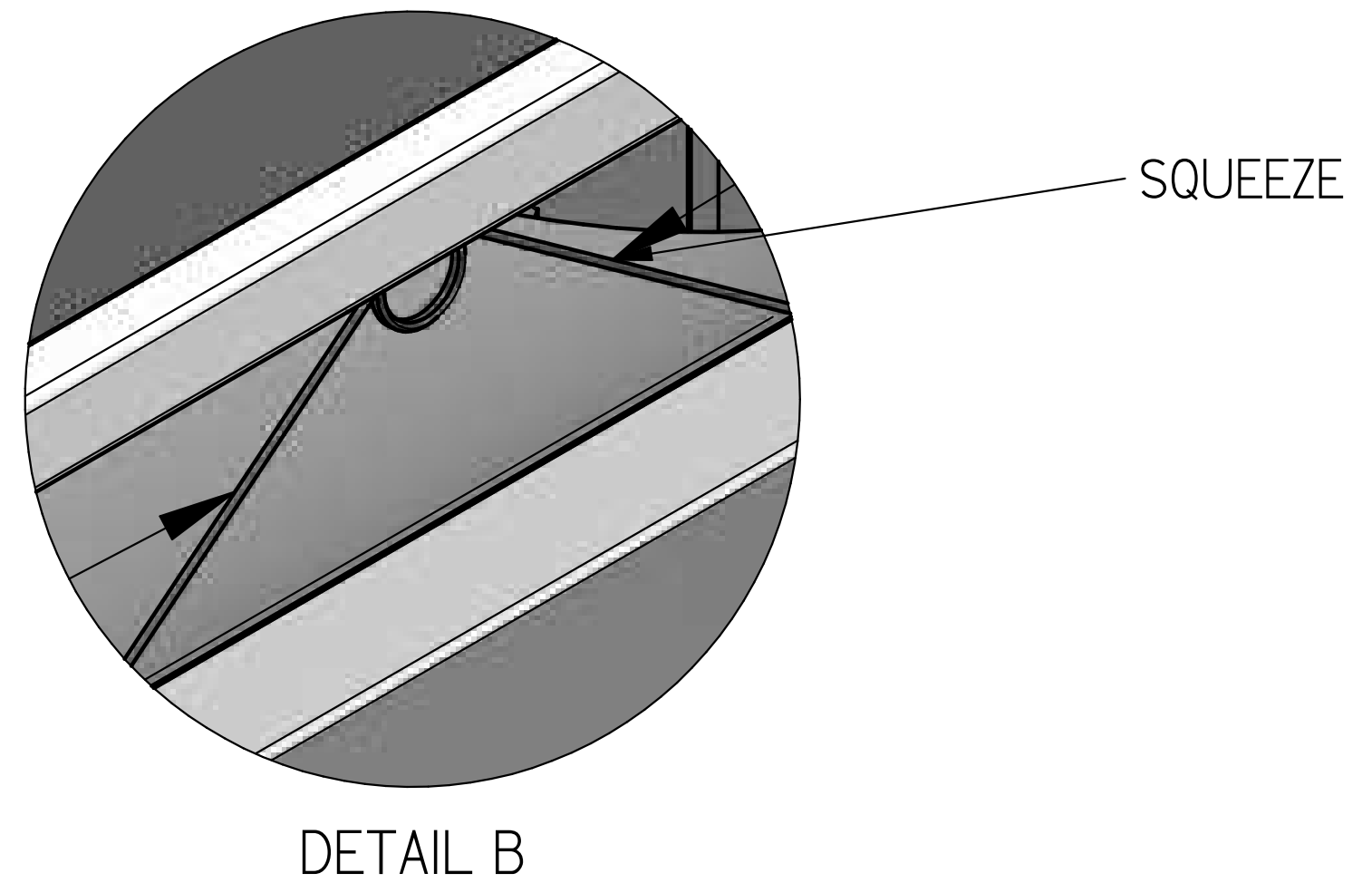
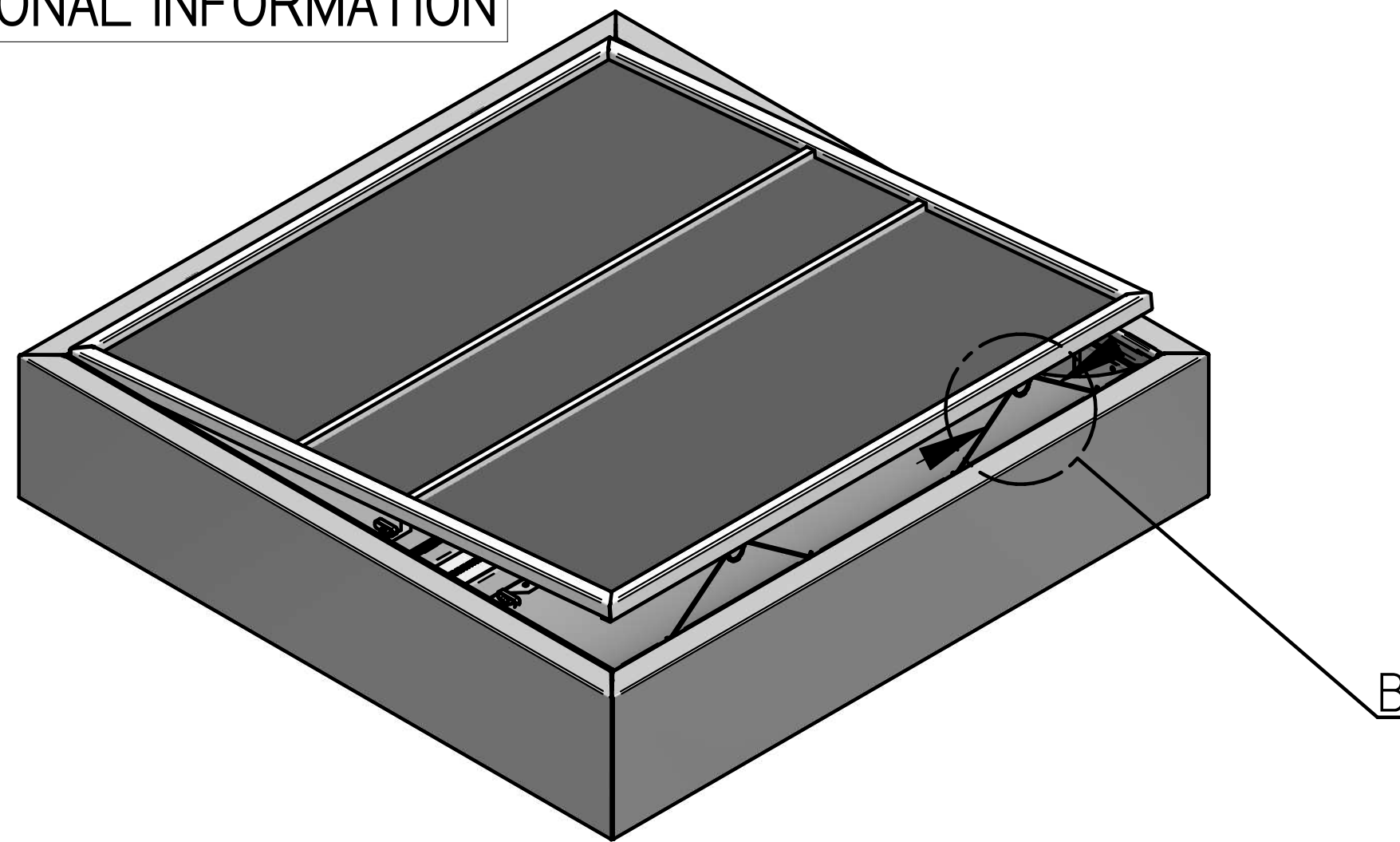


INSERT PREATTACHED FEEDCORD INTO THE CANOPY FEEDHOLE AND WIRE THE FEEDCORD TO BUILDING POWER.

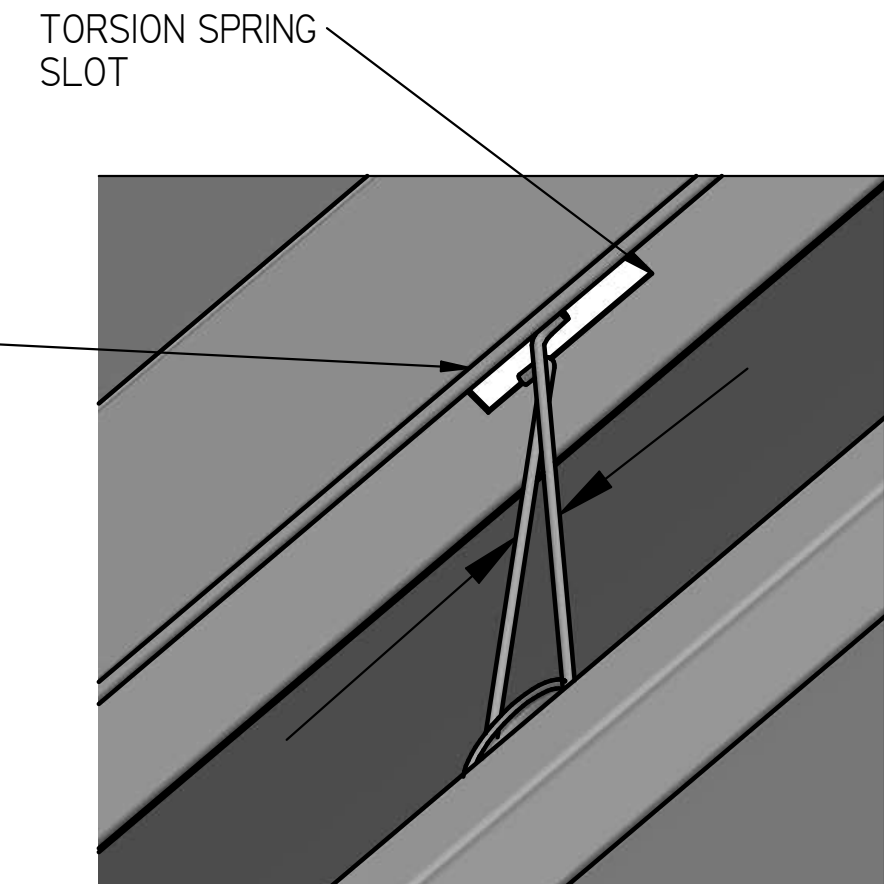
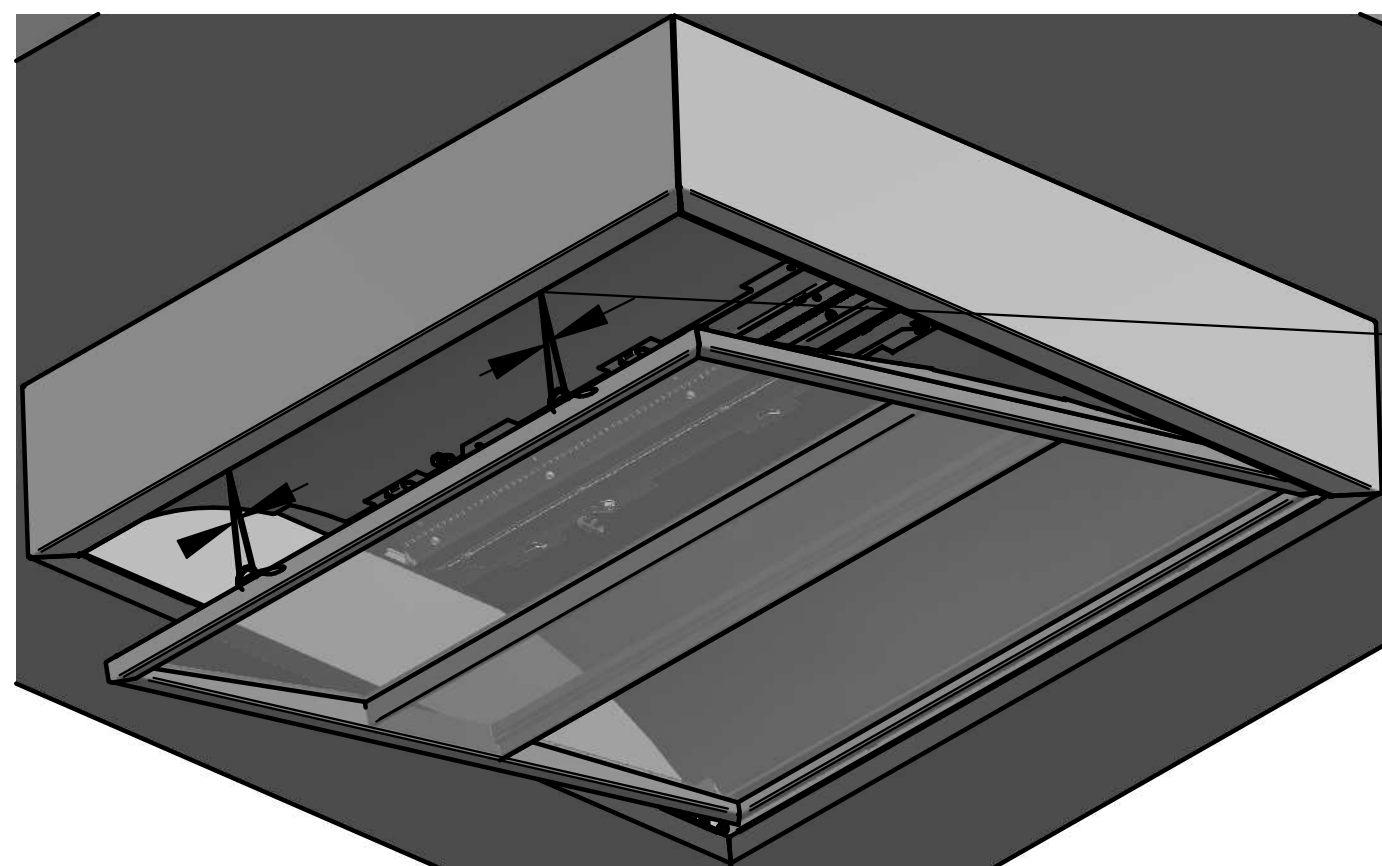
INSTALL THE CEILING AIRCRAFT CABLE. INSERT THE END OF THE CABLE INTO THE TOP OF THE CABLE GRIPPER ATTACHED TO THE FIXTURE CABLE. ONCE EACH SIDE IS INSERTED, PULL ON CEILING CABLE UNTIL FIXTURE IS LEVELED AT THE DESIRED HEIGHT. SNIP OFF THE EXCESS WIRE.

IF APPLICABLE, REMOVE DOOR STRAPPING BY CUTTING ONE END AND PULLED ON THE BUCKLED END UNTIL REMOVED.

ADDITIONAL INFORMATION

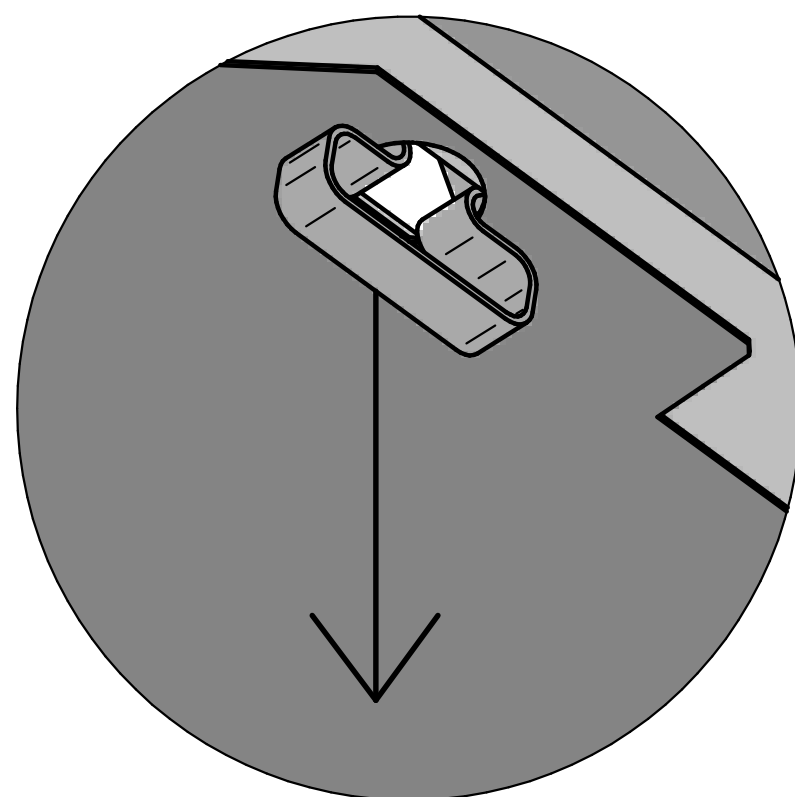
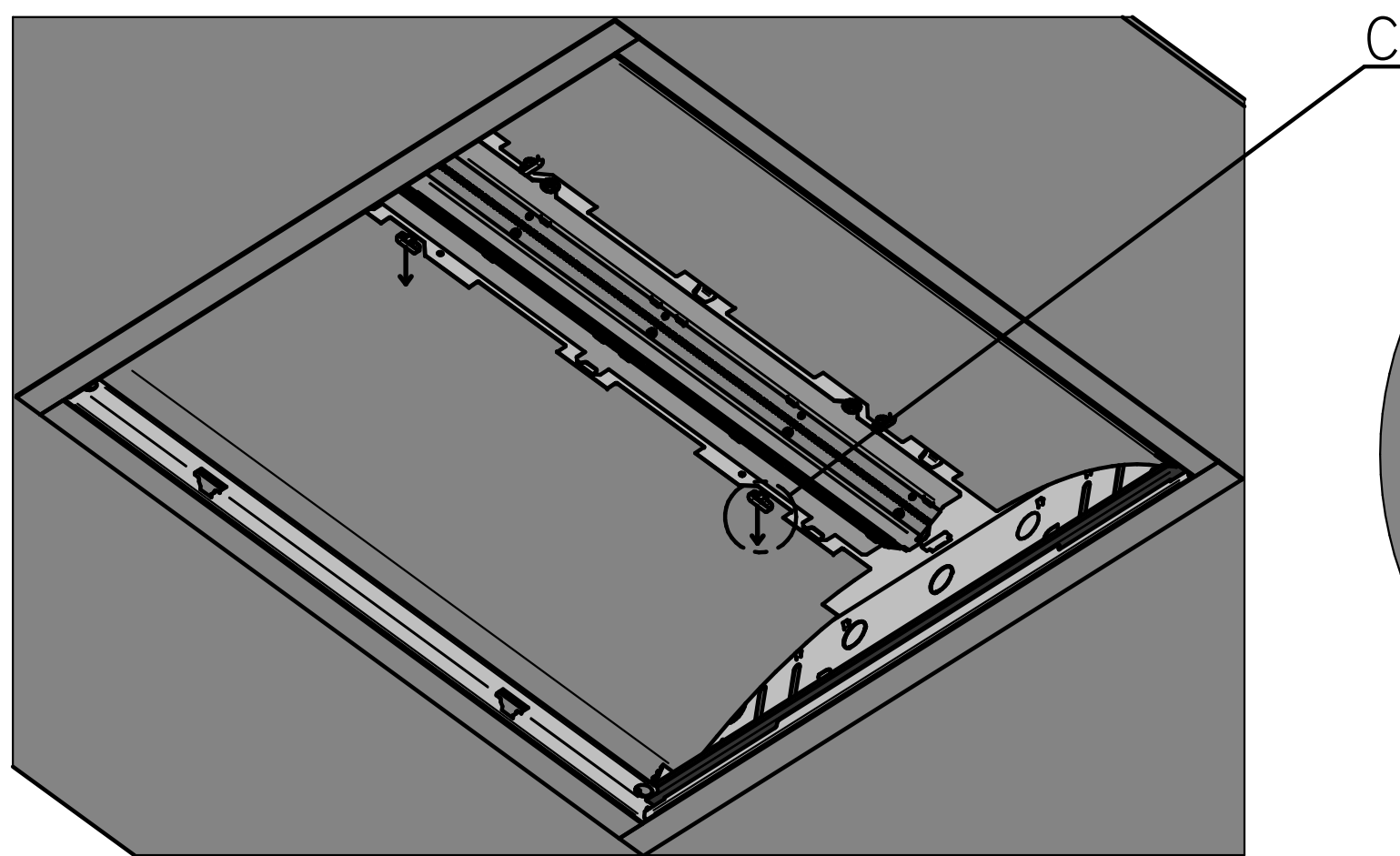


GENTLY BUT FIRMLY PULL ON ONE OF THE SIDES PARALLEL TO THE CENTER CHANNEL UNTIL THE DOOR STARTS TO SEPERATE FROM THE HOUSING. FOR REFERENCE, THE TORSION SPRINGS ARE ON THE OPPOSITE SIDE AS THE ACCESS COVER. ALLOW DOOR TO OPEN UNTIL STOPPED BY THE END OF THE TORSION SPRINGS. SQUEEZE IN ON BOTH SIDES OF THE TORSION SPRINGS TO RELEASE DOOR FROM HOUSING.

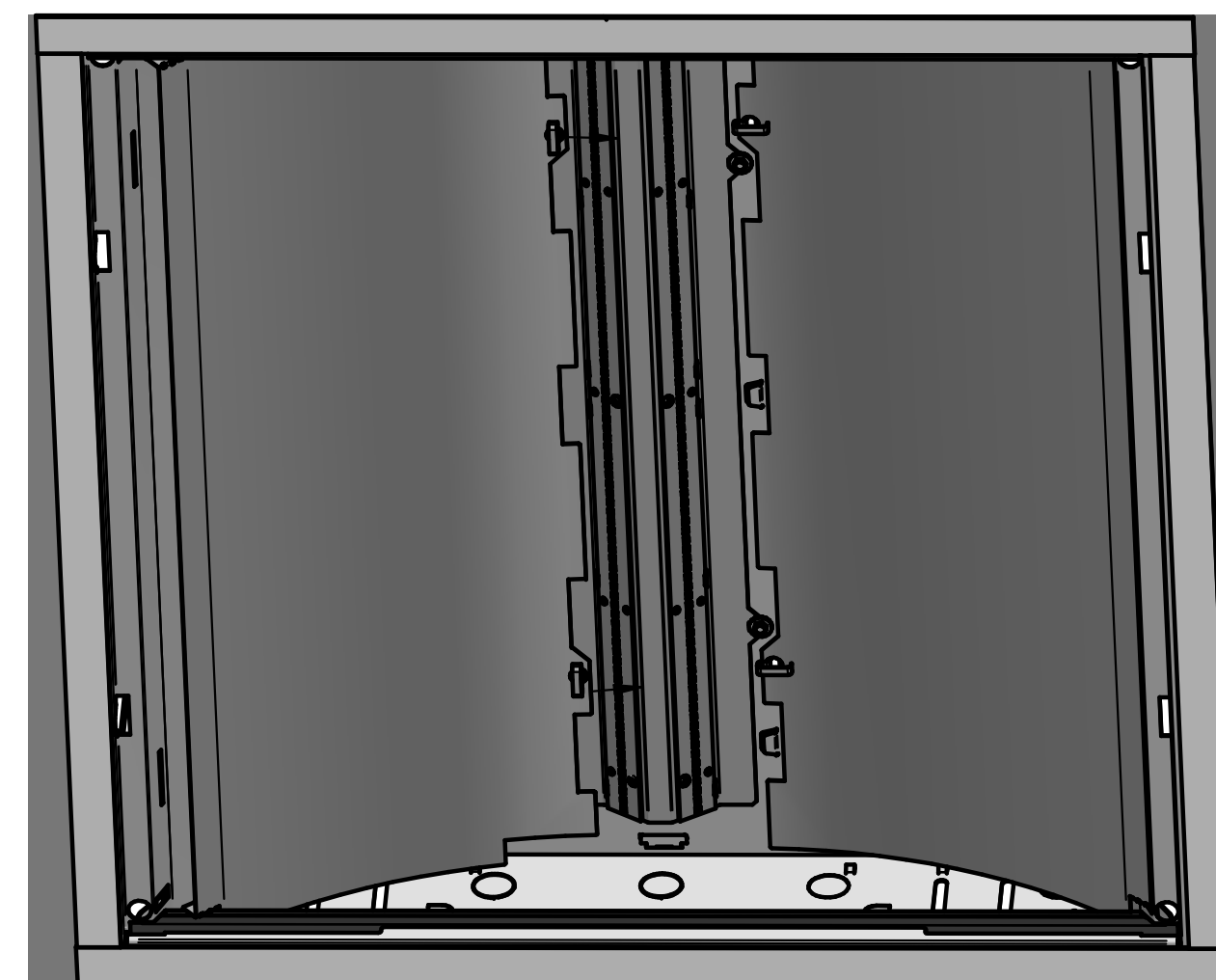


TO CLOSE THE DOOR COMPRESS THE SPRINGS UNTIL THEY CAN CLEAR TORSION SPRING SLOTS IN THE HOUSING
ALLOW SPRINGS TO DECOMPRESS IN THE SLOTS. AS YOU GENTLY PUSH THE DOOR TO THE CLOSED POSITION,
THE SPRINGS WILL BEING TO ENGAGE AND SNAP DOOR SHUT.

ADDITIONAL INFORMATION

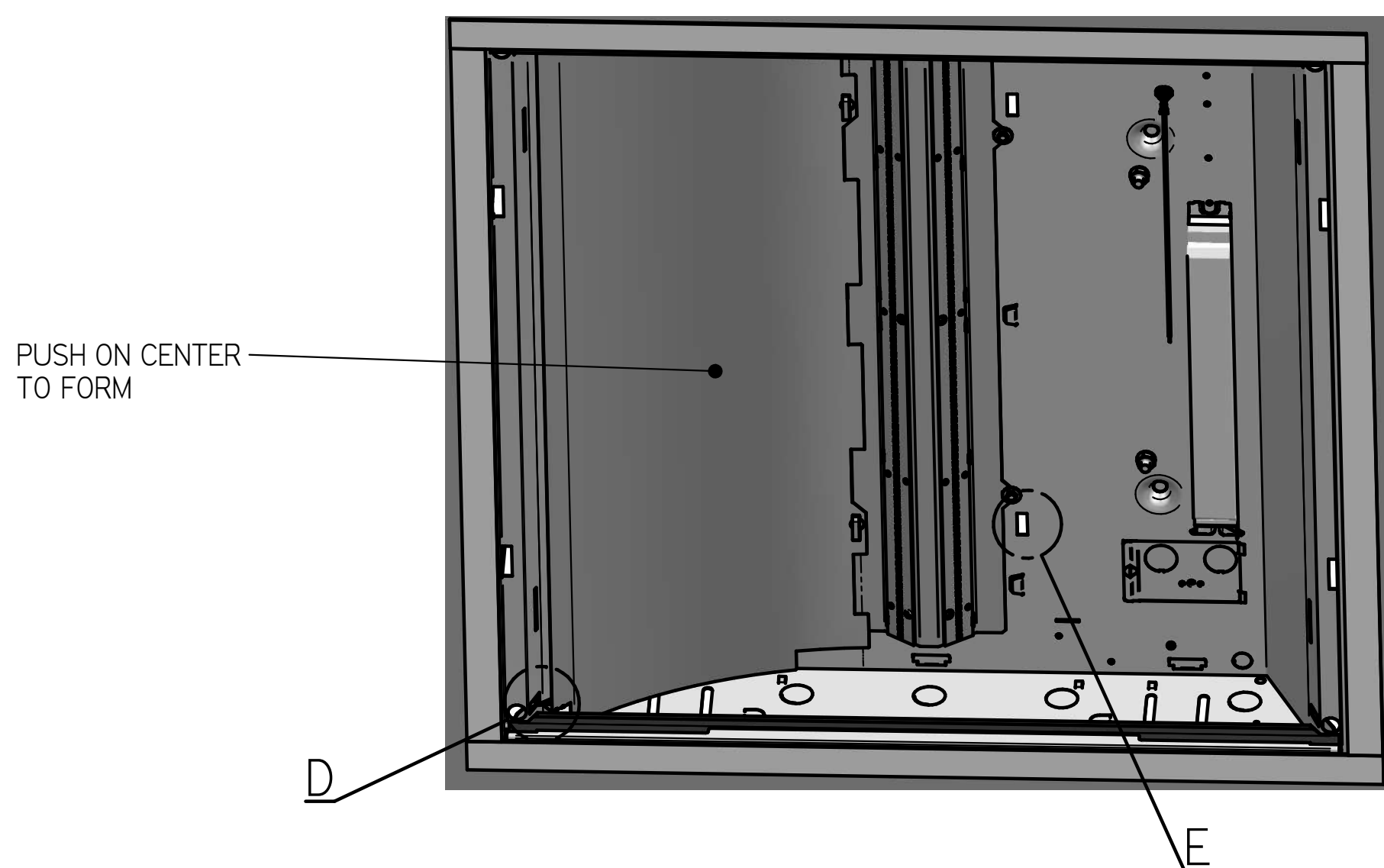


DETAIL C

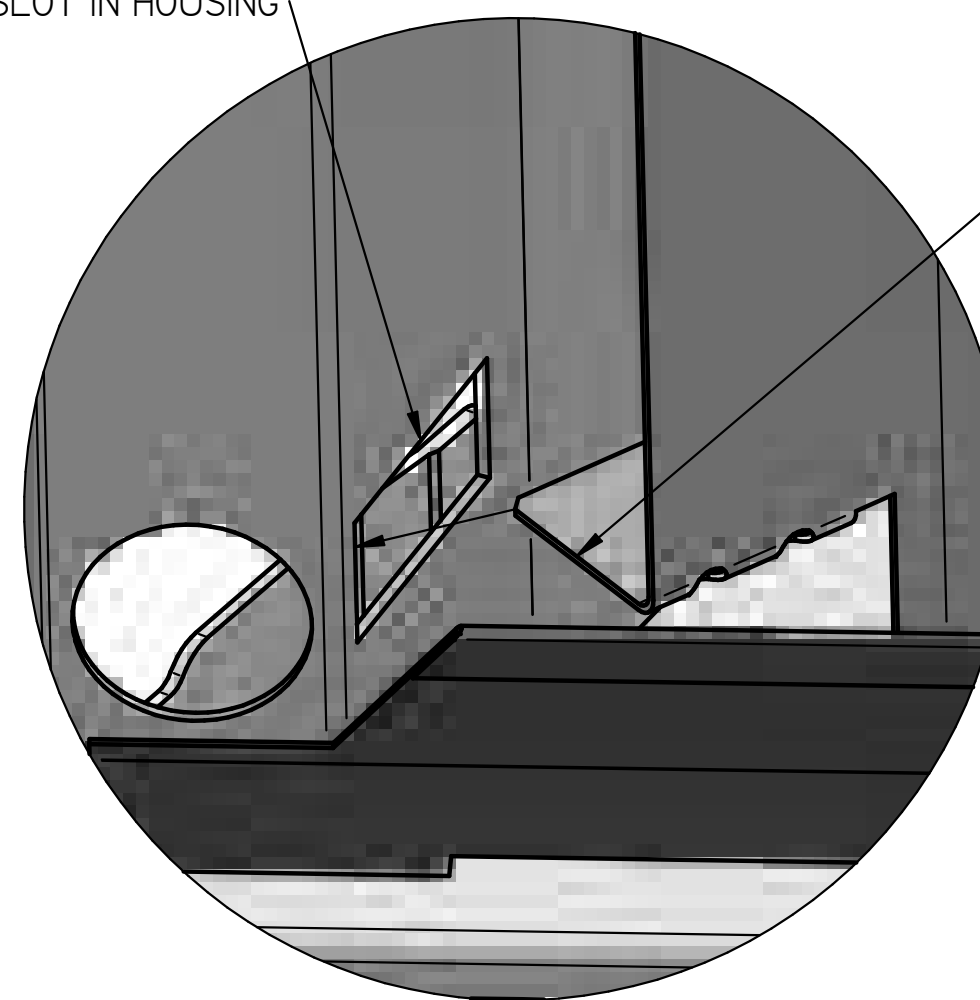


TO REMOVE THE REFLECTORS, ROTATE THE SPRING CLIPS 90 DEGREES LEFT OR RIGHT. GENTLY PULL DOWNWARDS ON THE SPRING CLIPS. WHEN CLIPS CLEAR THEIR MOUNTING SLOT, PULL REFLECTOR TOWARDS THE CENTER OF THE FIXTURE AS SHOWN TO REMOVE. REPEAT ON SECOND REFLECTOR AS NEEDED.

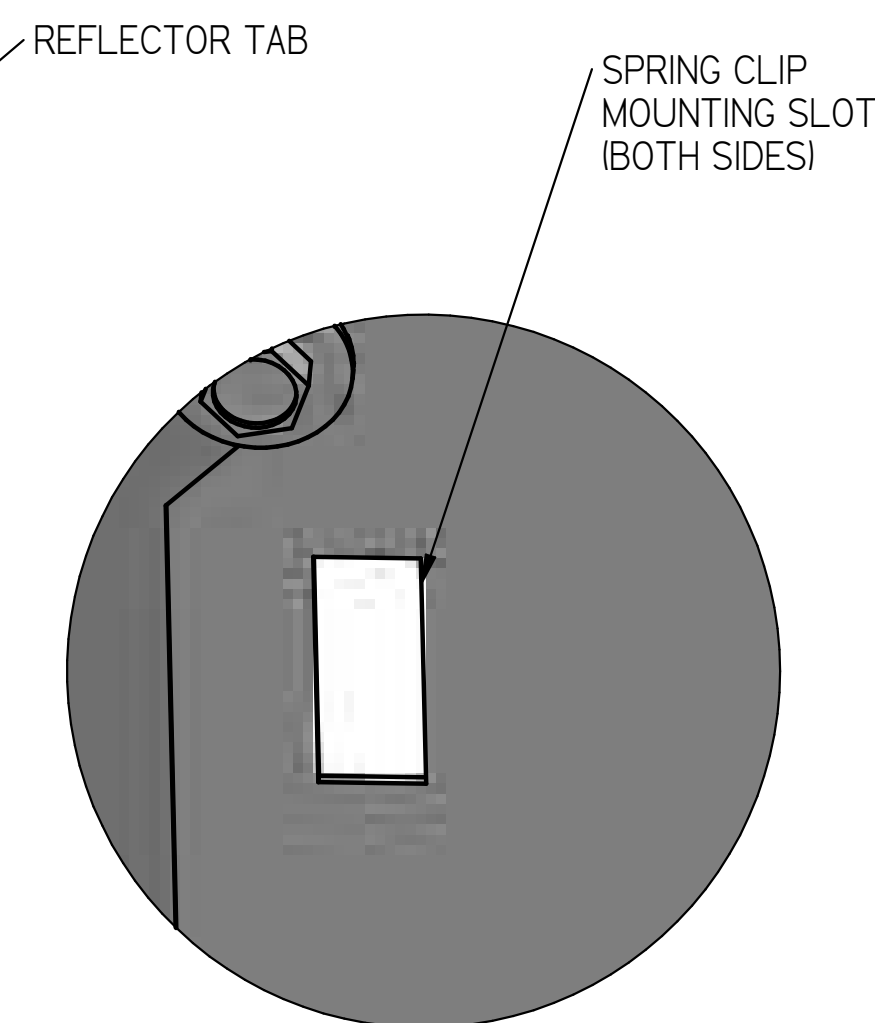
MOUNTING SLOT IN HOUSING



PUSH ON CENTER TO FORM



DETAIL D



DETAIL E

TO REINSTALL, INSERT FLAT REFLECTOR BACK INTO FIXTURE AND INSERT BOTH TABS ON EACH END INTO THE MOUNTING SLOTS IN THE HOUSING. WHILE HOLDING THE REFLECTOR IN PLACE, AND WITH THE SPRING CLIPS PARALLEL TO THE LED BOARDS, GENTLY APPLY PRESURE ON THE CENTER OF THE REFLECTOR UNTIL THE CLIPS SIT IN THERE RESPECTED SLOTS. ONCE EACH CLIP IS IN PLACE ROTATE 90 DEGREES IN EITHER DIRECTION TO SECURE THE REFLECTOR. REPLACE DOOR. IF APPLICABLE, REMOVE DOOR STRAPPING BY CUTTING AND PULLING ON THE BUCKLED END.