

IMPORTANT SAFETY INFORMATION. READ AND FOLLOW ALL SAFETY INSTRUCTIONS. Follow label information and instructions concerning Wet or Damp Locations, installation near combustible materials, insulation, building materials, and proper lamping. Do not install in areas subject to combustible vapors or gases. Before wiring to power supply and during servicing or relamping, turn off power at fuse or circuit breaker. **All servicing or relamping must be performed by qualified service personnel. Product must be grounded to avoid potential electric shock or other potential hazard. Product must be mounted in locations and at heights and in a manner consistent with its intended use, and in compliance with the National Electrical Code and local codes.** The use of accessory equipment not recommended by the manufacturer or installed contrary to instructions may cause an unsafe condition. Do not block light emanating from product in whole or part, as this may cause an unsafe condition. Do not allow items such as drapes, curtains, screens or the like to come into contact with the product or to block light from the product, as this may cause an unsafe condition.

INSTALLATION INSTRUCTIONS LITEISTRY™ LTR- (4/6)(RD/RW/SQD) MRI

Make sure to read and fully understand these instructions before attempting to install this product.

CAUTION: TO REDUCE THE RISK OF ELECTRICAL SHOCK, MAKE CERTAIN THAT THE POWER SUPPLY IS OFF BEFORE INSTALLING OR SERVICING THIS FIXTURE!

NOTE: For Ceiling thickness & Cutout dimensions refer **Table 1**. Selection of the MRI RF filters (supplied by others) should be based on the electrical ratings of the LTR MRI Trims listed in **Table 2**.

1. Install the fixture frame in the ceiling using the two **aluminum** B24 hanger bars (1) (supplied), or **non-ferrous MRI safe** mounting channel or bars (by others) placed in the adjustable mounting brackets (2). Mount the fixture frame in the ceiling so that the weight of the fixture frame is supported by the hanger bars, mounting channel, bar, and/or hanger wires, and is secured to the building structure. If the fixture frame is being used for wall wash trims (round only), align the fixture frame so the labels on the bottom of the frame are facing the wall to be illuminated.

2. Adjust the fixture frame so the bottom of the plaster flange opening is flush with the finished ceiling line and in alignment with adjacent fixtures. Secure mounting brackets by tightening two wing nuts (3) on either side of the fixture frame.

3. Loosen the J-Box brass thumbscrew (5) and swing the J-Box cover plate (4) up to remove it. Determine where the DC supply wiring will enter the J-Box and remove the appropriate knockout. Attach the **aluminum MRI safe conduit** (supplied by others) in conformance with the National Electric Code. Wiring to the fixture from the MRI RF filters (supplied by others) should be done with UL rated 300V 18 AWM (minimum) twisted pair shielded wire (supplied by others).

4. Connect the fixture WHITE positive "POS (+)" labeled wire in the J-Box to the positive incoming DC low voltage conductor. Connect the fixture BLACK negative "NEG (-)" labeled wire in the J-Box to the negative incoming DC low voltage conductor. Connect any ground wires to GREEN ground lead.

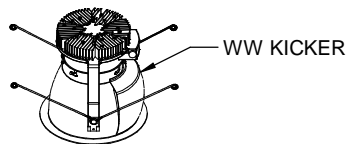
DO NOT connect a fixture to an energized driver (do not hot-plug!)

DO NOT connect the twisted pair shield to ground at the fixture! The shielded twisted pair shield should **ONLY** be connected to the room shield grounding bar at the room entrance (EMI RF filter end) of the shielded cable!

WARNING! RISK OF SHOCK OR FIRE! DO NOT connect the fixture to a high voltage power source! The fixture should **ONLY** be connected to a low voltage Class 2 DC power source!

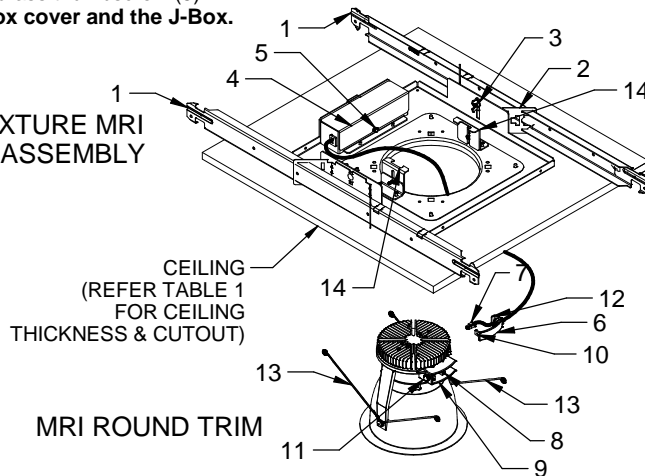
Reinstall the J-Box cover plate (4) and tighten the J-Box brass thumbscrew (5).

WARNING! DO NOT pinch the wires between the J-Box cover and the J-Box.



MRI ROUND WALL WASH TRIM

ROUND FIXTURE MRI HOUSING ASSEMBLY



MRI ROUND TRIM

FOR THE LTR-(4/6)(RD/RW) MRI FIXTURES:

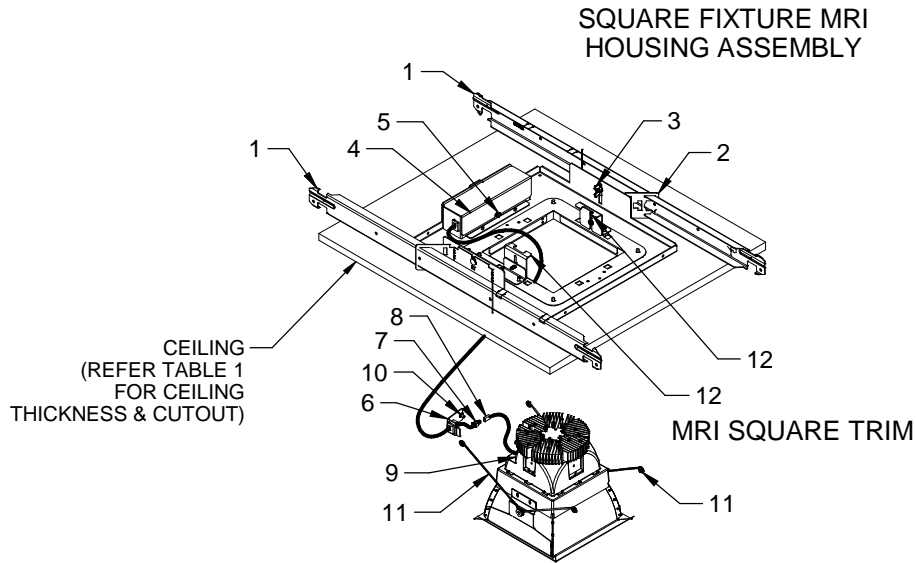
5. Pull the trim electrical connection cover (6) down below the ceiling through the opening in fixture. Insert the connector (7) into the mating connector (8), making sure to correctly orient the pins and the latch, and snap firmly together.

6. Carefully put the wires and connectors (7) & (8) into the electrical box (9). Place the tab (10) in line with the thumbscrew (11), and the tab (12) between the electrical box and the reflector. Tighten the thumbscrew (11) and secure the cover (6) into place.

7. Squeeze the two torsion springs (13) together and insert the ends into the two brackets (14). Push the trim assembly up towards the ceiling until the springs draw the trim firmly against the ceiling. **NOTE:** For wall wash fixtures (round only), insert the trim so that the inside reflective surface of the wall wash kicker faces the wall.

FOR THE LTR-(4/6)SQ MRI FIXTURES:

5. Pull the trim electrical connection cover (6) down below the ceiling through the opening in fixture. Insert the connector (7) into the mating connector (8), making sure to correctly orient the pins and the latch, and snap firmly together.
6. Carefully put the wires and connectors (7) & (8) into the electrical box (9). Place the electrical cover with its attached thumbscrew (10) into position on the electrical box. Tighten the thumbscrew (10) to secure the cover (6) into place.
7. Squeeze the two torsion springs (11) together and insert the ends into the two brackets (12). Push the trim assembly up towards the ceiling until the springs draw the trim firmly against the ceiling.



Frame Size	Standard Round Downlight & Wall Wash	Standard Square Downlight
LTR-4**-H MRI	Ø5.00" (Ø127.0mm)	□5.00" (□127.0mm)
LTR-6**-H MRI	Ø6.50" (Ø165.1mm)	□6.69" (□169.9mm)

¹ Ceiling thickness:
Minimum-1/2" Solid core,
Maximum-Refer to the respective spec sheets.

Size (RD/SQ)	Volts DC	Amps	Lumen Output	Cat. Logic	Optical Dist.
4in & 6in	34	0.165	600 (06L)	SL	NR MD WD WD XW VNR (6in)
4in & 6in	34	0.280	1000 (10L)		
4in & 6in	34	0.420	1500 (15L)		
4in & 6in	34	0.550	2000 (20L)	ML	
4in & 6in	34	0.700	2500 (25L)		
4in & 6in	34	0.870	3000 (30L)		
4in & 6in	34	1.050	3500 (35L)	HL	
4in & 6in	34	1.250	4000 (40L)		
6in	34	1.330	4500 (45L)		
6in	51.1	0.850	5000 (50L)	VL	
6in	51.1	0.940	5500 (55L)		
6in	51.1	1.250	6000 (60L)		
4in	35.6	0.165	600 (06L)	SL	VNR
4in	35.6	0.280	1000 (10L)		
4in	35.6	0.420	1500 (15L)		
4in	35.6	0.550	2000 (20L)	ML	
4in	35.6	0.700	2500 (25L)		
4in	35.6	0.870	3000 (30L)		

CAUTION: DO NOT ATTEMPT TO MODIFY OR REWIRE FACTORY-INSTALLED WIRING ON THE FIXTURE. SAFETY AND PROPER OPERATION OF THE FIXTURE DEPEND ON THE INTEGRITY OF THE WIRING.

KEEP THESE INSTALLATION INSTRUCTIONS!