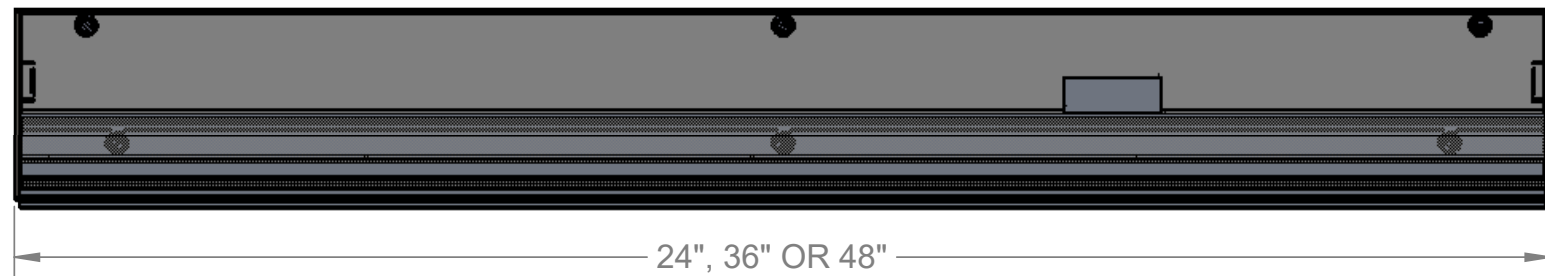


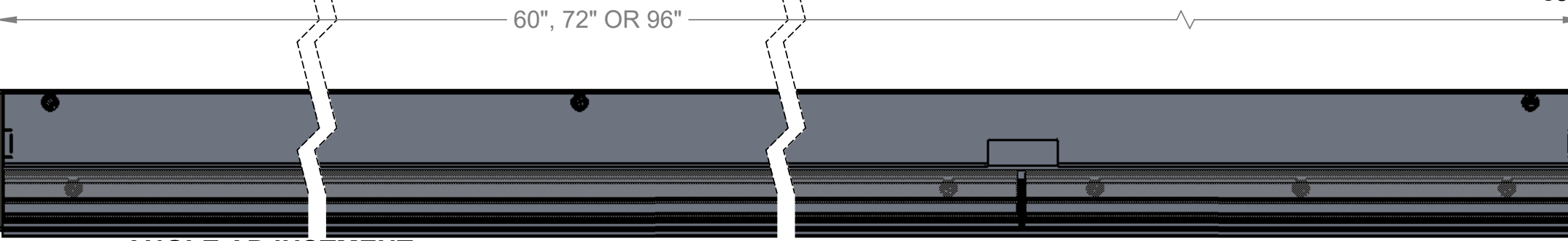
**FIXTURE OPTIONS**

2FT, 3FT & 4FT FIXTURES  
(SINGLE GEARTRAY)

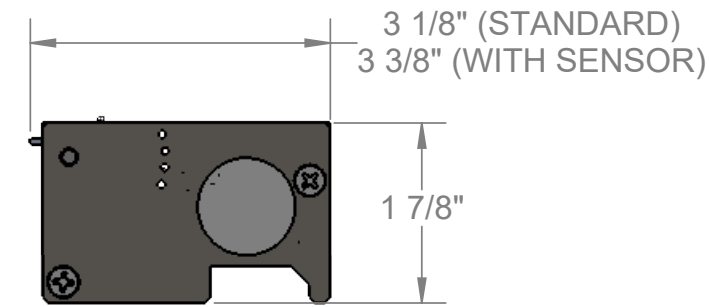


24\", 36\" OR 48\"

5FT, 6FT & 8FT FIXTURES  
(DOUBLE GEARTRAY)



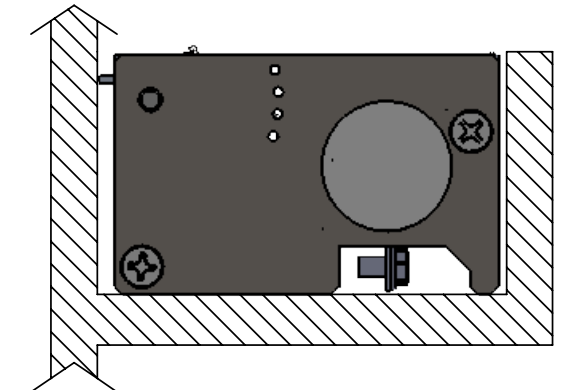
60\", 72\" OR 96\"



1 7/8\"

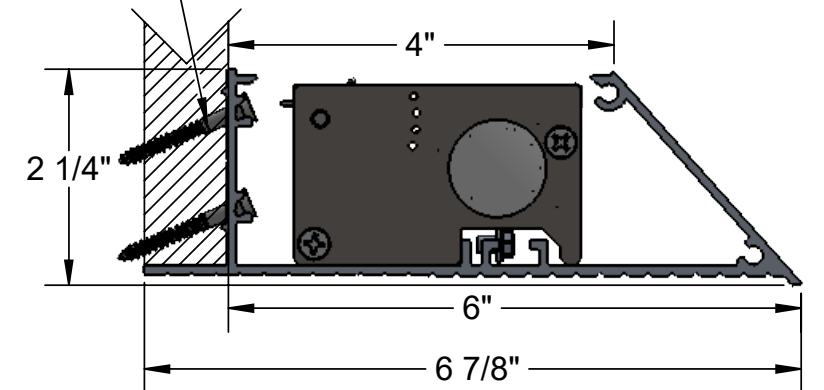
**COVE OPTIONS**

FEILD BUILT COVE



MOUNTING HARDWARE  
SUPPLIED BY OTHERS

KP (MUD-IN) COVE

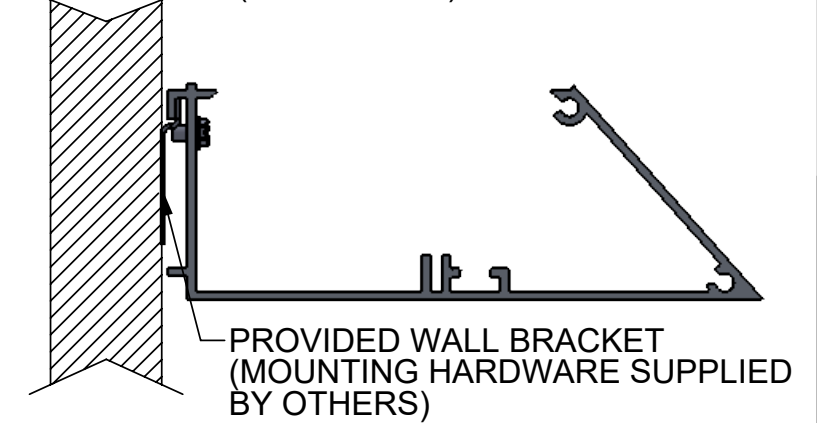


2 1/4\"

6\"

6 7/8\"

KS (KNIFE EDGE) COVE



PROVIDED WALL BRACKET  
(MOUNTING HARDWARE SUPPLIED BY OTHERS)

**ANGLE ADJUSTMENT**

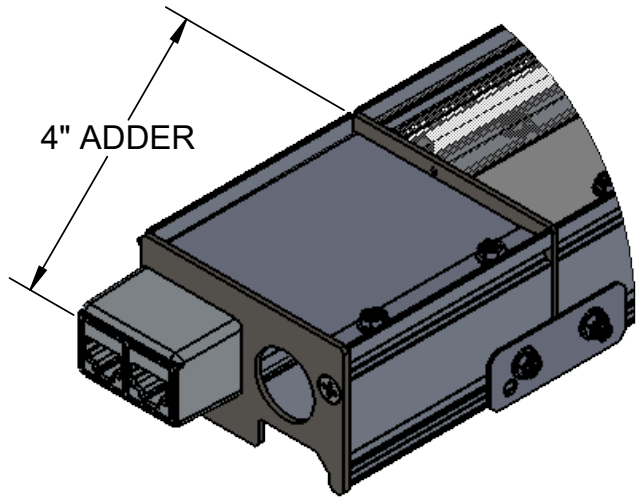
**CONTROLS OPTIONS**

**OPTIONAL COVE ENDCAP**

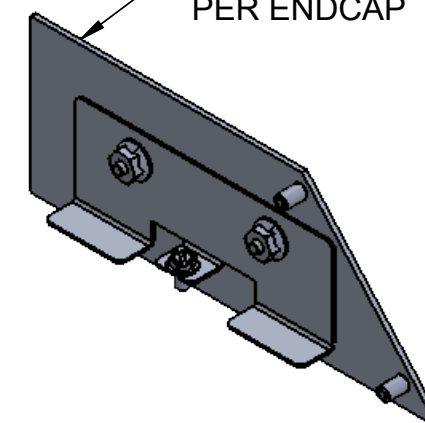
MAX ANGLE  
45 DEGREES

MIN ANGLE  
10 DEGREES

4\"/>



1/16\"/>



**GENERAL NOTES: (READ SHEETS COMPLETELY BEFORE STARTING)**

1. APPROXIMATE WEIGHT OF FIXTURE IS 2 LBS PER FOOT OF LENGTH.
2. FOR BEST LOOK, FIXTURE ENDS NEED TO BE A MINIMUM OF 4" AWAY FROM AN INSIDE CORNER WALL.
3. IF A CONTROLS ARE REQUIRED IN A ROW, THE ROW SHOULD ALWAYS START OR END WITH THE CONTROLS BOX.
4. DO NOT EXCEED 5 AMPS OF POWER IN ONE ROW.

**TOOLS REQUIRED**

- SAW WITH ALUMINUM CUTTING CAPABILITIES (SSM & SMM OPTIONS ONLY)
- DRILL (SSM & SMM OPTIONS ONLY)

**SUPPLIED BY INSTALLER**

- BUILDING POWER FITTINGS (TO CODE)
- ELECTRICAL CONNECTORS
- COVE MOUNTING HARDWARE (IF APPLICABLE)

1

MEASURE AND MARK THE LOCATION FOR HANGING THE WALL BRACKETS PROVIDED FOR THE KS COVE. PRE-DRILL MOUNTING HOLES AND SECURE WITH THE APPROPRIATE HARDWARE (SUPPLIED BY OTHERS). STUD LOCATIONS MAY DEFER. EACH SLOT IS STANDARD 16" APART. DRILL HOLES IN BRACKET AS NECESSARY TO MATCH STUD LOCATIONS.

2

CUT LAST EXTRUSION TO REQUIRED LENGTH

DRILL IN BACK AS NEEDED

DETERMINE THE FULL ROW LENGTH OF FIXTURES ON THE PLANNED WALL. EXTRA LENGTH MAY BE PROVIDED FOR THE COVE, MEASURE AND CUT THE LAST COVE TO FIT THE WORKSPACE. POWER CAN ONLY BE SUPPLIED TO EITHER END OF THE FIXTURE/ROW. DETERMINE WHICH COVE THE BUILDING POWER WILL COME THROUGH AND DRILL A HOLE IN THE BACK OF THE COVE AT THAT LOCATION.

3

SET SCREW

HOOK THE FIRST COVE HOUSING ON TO THE WALL BRACKET AND ADD SET SCREWS (SUPPLIED BY OTHERS) IN THE PREDRILLED HOLES IN THE HOUSING TO LOCK IT IN PLACE.

4

ONCE BRACKET IS HALFWAY IN SLOT, TIGHTEN SET SCREW

INSERT ALIGNMENT PINS HALFWAY

**IF INSTALLING CONTINUOUS RUNS PATTERNS OR CORNERS:** USE THE PROVIDED ALIGNMENT PIN AND BRACKET TO SECURE THE SECOND LENGTH OF COVE HOUSING TO THE FIRST. SECURE THE ALIGNMENT BRACKET INTO PLACE WITH THE PROVIDED TWO SET SCREWS.

5

WALL REF.

RUN POWER AT DESIRED LOCATION

ONCE ALL THE COVES ARE HUNG, BRING IN BUILDING POWER WIRING IN THE DRILLED HOLE FROM STEP 2. FIXTURES CAN ONLY BE POWERED FROM THE ENDS OF THE ROW. IF NEEDED, RUN THE BUILDING POWER TO THE END OF THE COVE POWER WILL START FROM. ONCE ALL COVES ARE INSTALLED, SKIP TO STEP 2 ON SHEET 4 FOR FIXTURE INSTALLATION

**1**

WALL REFERENCE

DETAIL DW  
SCALE 2.5 : 1

DRILL HOLE IN PILOT GROOVE

SUPPLIED BY OTHERS

ATTACH THE FIRST HOUSING TO THE MOUNTING STRUCTURE WITH #6 SHEETROCK SCREWS, USING PROVIDED COMPORT ANGLE GROOVE MOUNTING LOCATIONS. SOME DRILLING MAY BE NECESSARY TO MATCH STUD LOCATIONS.

**2**

CUT EXTRUSION TO REQUIRED LENGTH

DRILL HOLE IN PILOT GROOVE

DETAIL DV  
SCALE 2 : 1

DETERMINE THE FULL ROW LENGTH OF FIXTURES ON THE PLANNED WALL. EXTRA LENGTH MAY BE PROVIDED FOR THE COVE, MEASURE AND CUT THE LAST COVE TO FIT THE WORKSPACE. POWER CAN ONLY BE SUPPLIED TO EITHER END OF THE FIXTURE/ROW. DETERMINE WHICH COVE THE BUILDING POWER WILL COME THROUGH AND DRILL A HOLE IN THE BACK OF THE COVE AT THAT LOCATION.

**3**

ONCE BRACKET IS HALFWAY IN SLOT, TIGHTEN SET SCREW

INSERT ALIGNMENT PIN ABOUT HALFWAY

**IF INSTALLING CONTINUOUS RUNS PATTERNS OR CORNERS:** USE THE PROVIDED ALLIGNMENT PIN AND TAB TO SECURE THE SECOND LENGTH OF COVE HOUSING TO THE FIRST. SECURE THE ALIGNMENT TAB INTO PLACE WITH THE PROVIDED TWO SET SCREWS.

**4**

WALL REFERENCE

DRILL HOLE IN WALL AT FEED LOCATION

ONCE ALL THE COVES ARE HUNG, BRING IN BUILDING POWER WIRING IN THE DRILLED HOLE FROM STEP 2. FIXTURES CAN ONLY BE POWERED FROM THE ENDS OF THE ROW. IF NEEDED, RUN THE BUILDING POWER TO THE END OF THE COVE POWER WILL START FROM. ONCE ALL COVES ARE INSTALLED, SKIP TO STEP 2 ON SHEET 4 FOR FIXTURE INSTALLATION

**5**

JOINT COMPOUND

APPLY JOINT COMPOUND ACROSS THE BOTTOM PLANE OF THE HOUSING PROFILE. SEAMS CAN BE FINISHED WITH ACRYLIC CAULK AS NECESSARY. PAINT FOR BLENDED FINISH. ONCE ALL COVES ARE INSTALLED AND FINISHED, SKIP TO STEP 2 ON SHEET 4 FOR FIXTURE INSTALLATION.

**1**

3 3/8" MIN

2" MIN

CONSTRUCT A COVE FOR THE FIXTURE IN THE DESIRED AREA USING THE FIXTURE DIMENSIONS ON SHEET 1. THE FIXTURE SHOULD ONLY BE WIRED TO THE BUILDING AT THE CORNERS OR THE BEGINNING/END OF THE ROW.

**2**

CLEARANCE CUTOUT

CLEARANCE CUTOUT REACH FINGERS UNDER GEARTRAY TO ASSIST IN ANGLE ADJUSTMENT

DETAIL B SCALE 2 : 1

LENS SERVES AS POSITION INDICATOR

MANUALLY ADJUST THE GEARTRAY TO THE DESIRED ANGLE. THERE ARE HOLES IN EACH ENDCAP OF THE FIXTURE THAT HELP MAKE SURE EACH FIXTURE IS AT THE SAME ANGLE. NOTE: START WITH THE HIGHEST ANGLE AND CLICK THE GEARTRAY DOWN TO THE POSITION YOU WANT. EACH FIXTURE IS OUTFITTED WITH A CLEARANCE CUTOUT FOR BETTER LEVERAGE ON THE GEARTRAY. REPEAT WITH ALL FIXTURES.

**3**

FLUSH TO SCREW SLOT

PLACE THE FIRST FIXTURE IN THE COVE (KS SHOWN), MAKE SURE THE FIXTURE IS FLUSH TO THE SCREW CHANNEL ON THE COVE AS SHOWN (KS AND KP ONLY). ENSURE THE END OF THE FIXTURE IS APPROXIMATELY 4" MIN FROM THE INSIDE CORNER WALL FOR BEST LOOK ON THE WALL.

**4**

BEND TAB DOWN TO CLEAR CLIP

IF INSTALLING A CONTINUOUS ROW, PLACE SECOND FIXTURE NEXT TO THE FIRST AND WIRE THEM TOGETHER. STUFF ALL CONNECTIONS INTO EITHER FIXTURE. SECOND FIXTURE SHOULD THEN BE PLACED FLUSH TO THE FIRST. SECURE TOGETHER WITH PROVIDED JOINER BRACKET AS SHOWN.

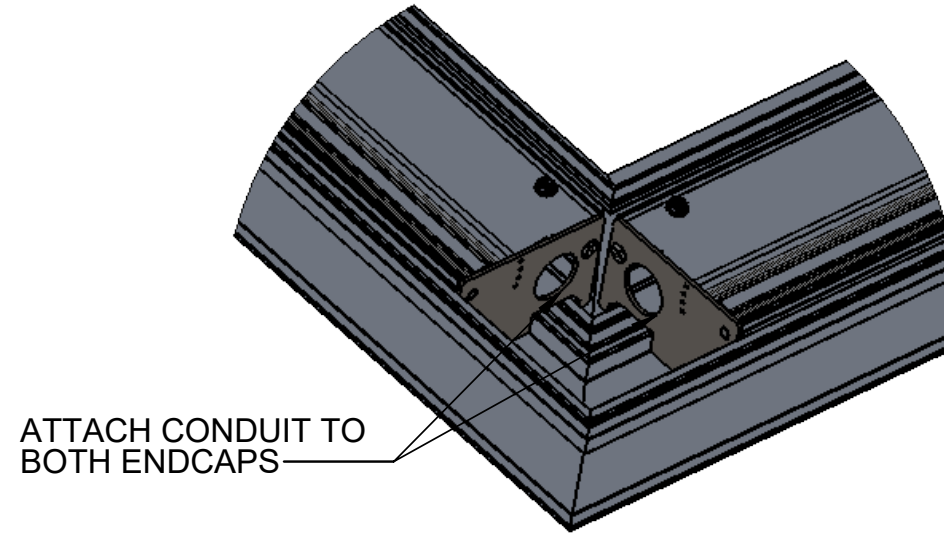
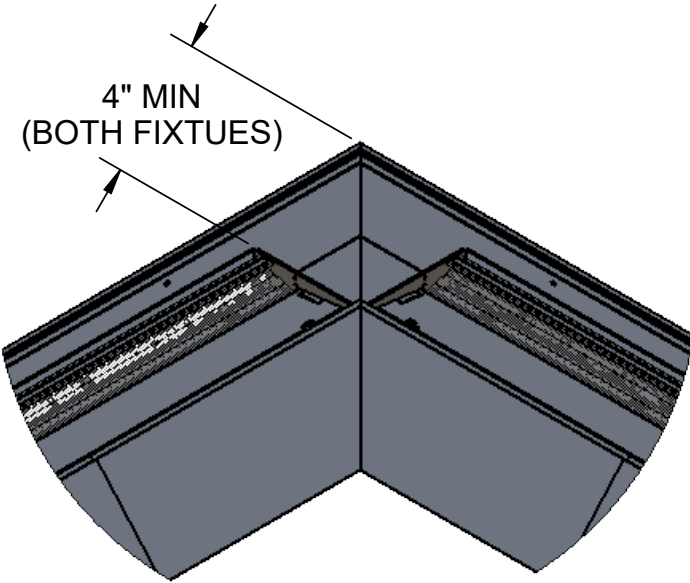
**5**

BUILDING POWER SIDE (WIRE CLAMP MAY DEFER) SUPPLIED BY OTHERS

NON-POWERED SIDE PLUG WITH PROVIDED CAP

WITH ALL FIXTURES CONNECTED, WIRE THE FIRST OR LAST FIXTURE TO THE BUILDING POWER. ALL CONNECTIONS MUST BE MADE INSIDE THE FIXTURE AND THE BUILDING POWER SHOULD BE SECURED WITH AN APPROVED WIRE CLAMP. THE OTHER END OF THE ROW NEEDS TO BE PLUGGED WITH THE PROVIDED WIREWAY CAP.

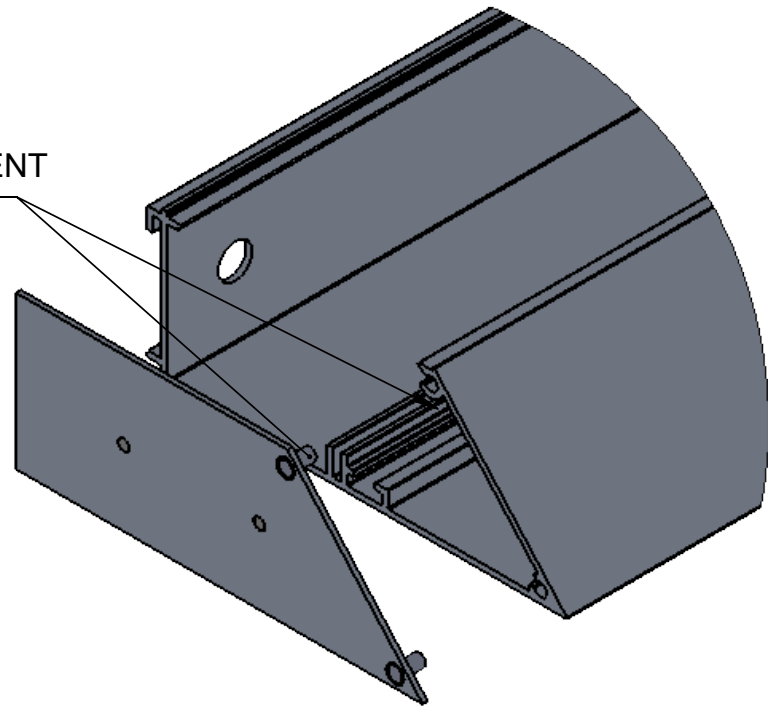
**CORNER WIRING**



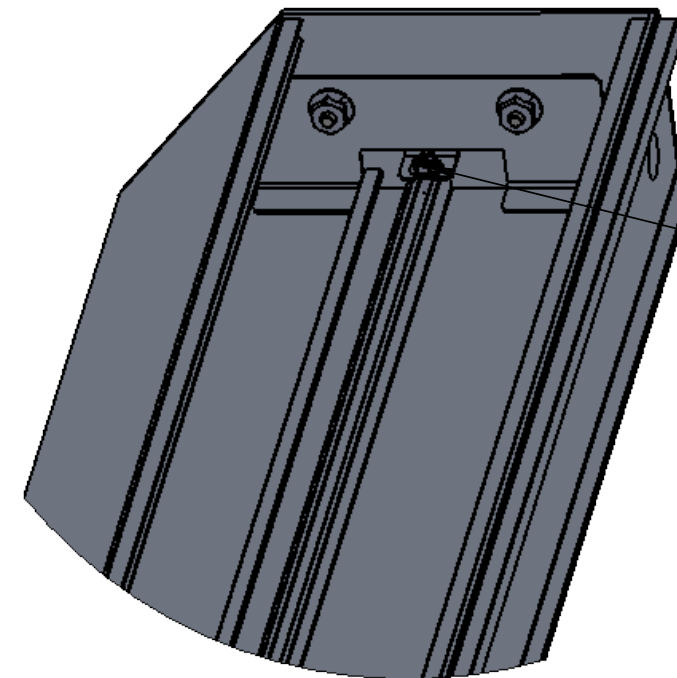
AFTER HANGING CORNER, WIRE AND ATTACH PROVIDED FLEXIBLE CONDUIT THE ADACENT FIXTURES. ENSURE ALL CONNECTIONS ARE MADE INSIDE THE FIXTURE. CONDUIT SHOULD BE FULLY TUCKED IN THE COVE AND NOT OVERHANG EDGE.

**COVE EC INSTALL**

INSERT ALIGNMENT  
PIN IN CHANNEL



SECURE ENDHEADER TO  
SCREW CHANNEL IN COVE



PLACE THE ENDCAP ON THE COVE SYSTEM IN THE ORIENTATION SHOWN. MAKE SURE THE ALIGNMENT PINS ARE INSERTED IN THE SCREW CHANNELS ON THE COVE AS SHOWN. HOLD ENDCAP FLUSH TO COVE WHILE TIGHTENING END HEADER SCREW. ENSURE THERE ARE NO GAPS BETWEEN THE ENDCAP AND THE COVE SYSTEM.