

LCAT[®]-Shallow Surface Mounting Kit Installation

LED Commercial Architectural Troffer (LCAT-S Series)



BEFORE YOU BEGIN

Read these instructions completely and carefully.



WARNING/AVERTISSEMENT

RISK OF ELECTRIC SHOCK

- Turn power off before inspection, installation or removal.
- Properly ground electrical enclosure.

RISK OF FIRE

- Follow all NEC and local codes.
- Use only UL approved wire for input/output connections. Minimum size 18 AWG (0.75mm²).

RISQUES DE DÉCHARGES ÉLECTRIQUES

- Coupez l'alimentation avant d'inspecter, installer ou déplacer le luminaire.
- Assurez-vous de correctement mettre à la terre le boîtier d'alimentation électrique.

RISK OF FIRE

- Respectez tous les codes NEC et codes locaux.
- N'utilisez que des fils approuvés par UL pour les entrées/sorties de connexion. Taille minimum 18 AWG (0.75mm²).

Save These Instructions

Use only in the manner intended by the manufacturer. If you have any questions, contact the manufacturer.

Components Supplied

- Surface Mounting Kit – Frame and hardware
- Luminaire not provided (sold separately)

Tools and Components Required

- Slot or Philips screwdriver
- 1/8" Rivet Tool or Power Rivet Gun
- UL Listed conduit connections per NEC/CEC for nominal conduit trade sizes 1/2" or 3/4"
- UL Listed wire connectors

Fixture Compatibility

- This Surface Mounting Kit (SMK) is intended for use with LCAT-S Luminaires. The following criteria must be met for proper SMK application and use:
 - This SMK is not intended for use with Single Driver or Driver Only narrow electrical enclosure. Full size enclosure conversion kit required for narrow enclosure fixtures; 93311760 (2x2, 2x4) and 93311761 (1x4).
 - This SMK is not intended to be load bearing or to support fixture loading. Installation to facility must be secured through Luminaire housing via 1/2" KO's (at 4 locations) or suspended by aircraft cables coupled to Luminaire endcap holes.
 - This SMK models can accommodate EM test switch, as specifically ordered, when mounted to frame sidewall.

Prepare Electrical Wiring



Electrical Requirements

- The LED luminaire must be connected to the mains supply according to its ratings on the product label.



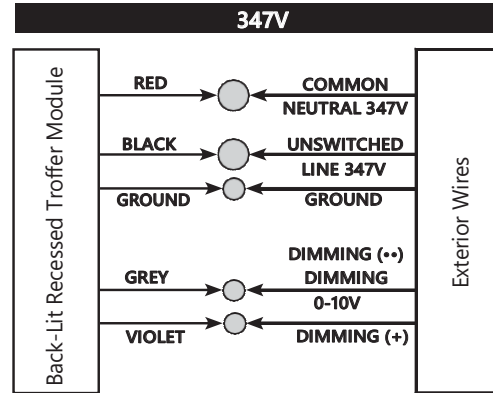
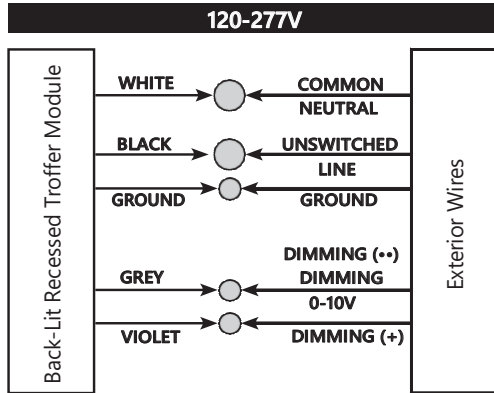
Grounding Instructions

- The grounding and bonding of the overall system shall be done in accordance with National Electric Code (NEC) Article 600 and local code

Electrical Connections

! WARNING/AVERTISSEMENT

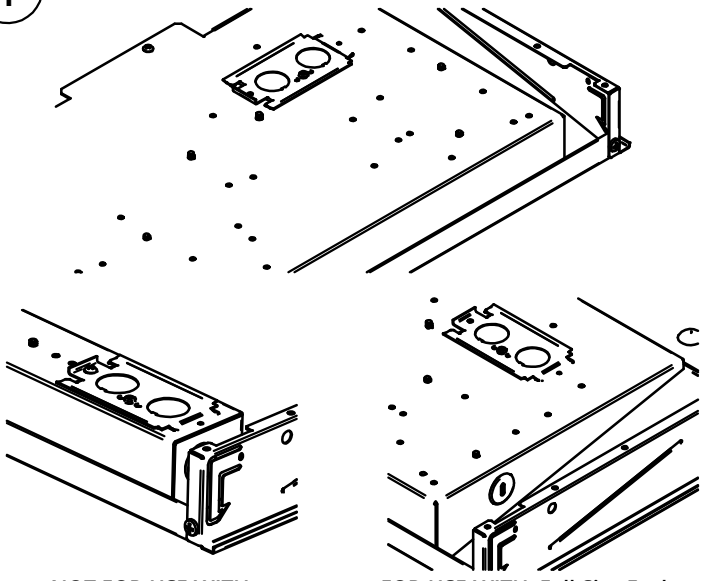
Risk of electrical shock. Disconnect power before servicing or installing product.
Risque de choc électrique. Couper l'alimentation avant le dépannage ou avant l'installation du produit.



Overview of Luminaire Prep. & SMK Installation

1. Disconnect fixture electrical connections.
2. Remove lens. If sensor is present, disconnect & remove sensor holder endcap.
3. Replace fixture endcap corner screws with 1/8" rivet at each corner.
4. Insert fixture into SMK frame and secure with brackets provided to secure to fixture.
5. Fixture mounting 1/2" KO's are located on the back of the fixture housing in the corner areas.
6. Remove fixture mounting KO's. Install J-Box Collar.
7. Wire in accordance with NEC requirements.
8. Mount fixture to ceiling centering the adaptor collar over the J-box.
9. Reinstall lens/shielding.

1 Disconnect electrical connections before fixture removal

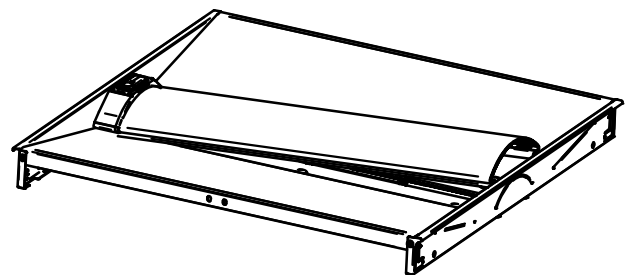


NOT FOR USE WITH:
Driver only Enclosure

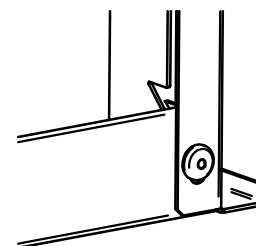
Full size enclosure conversion
kit required; 93311760 (2x2, 2x4)
and 93311761 (1x4)

FOR USE WITH: Full Size Enclosure

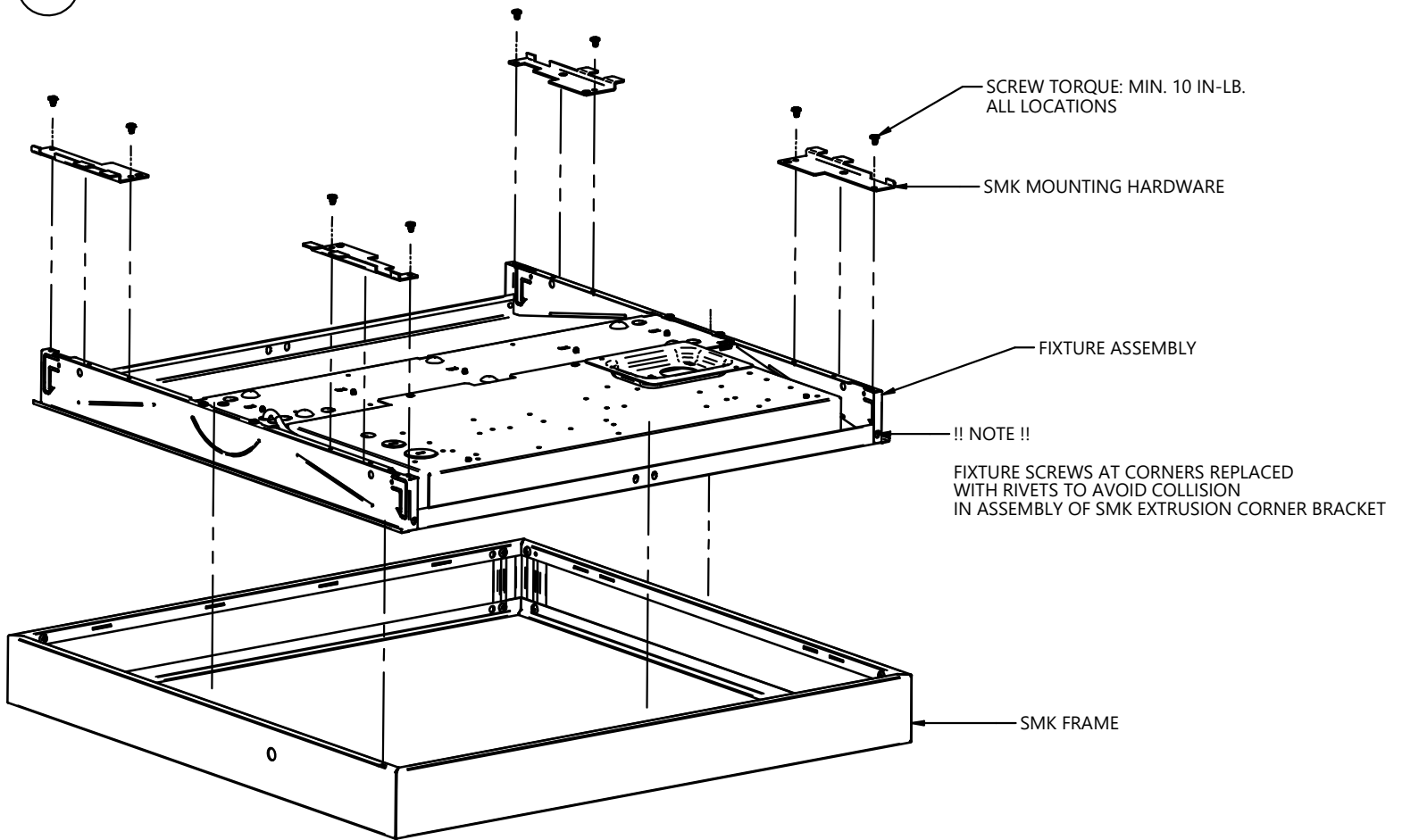
2 Remove lens and sensor holder (if present)



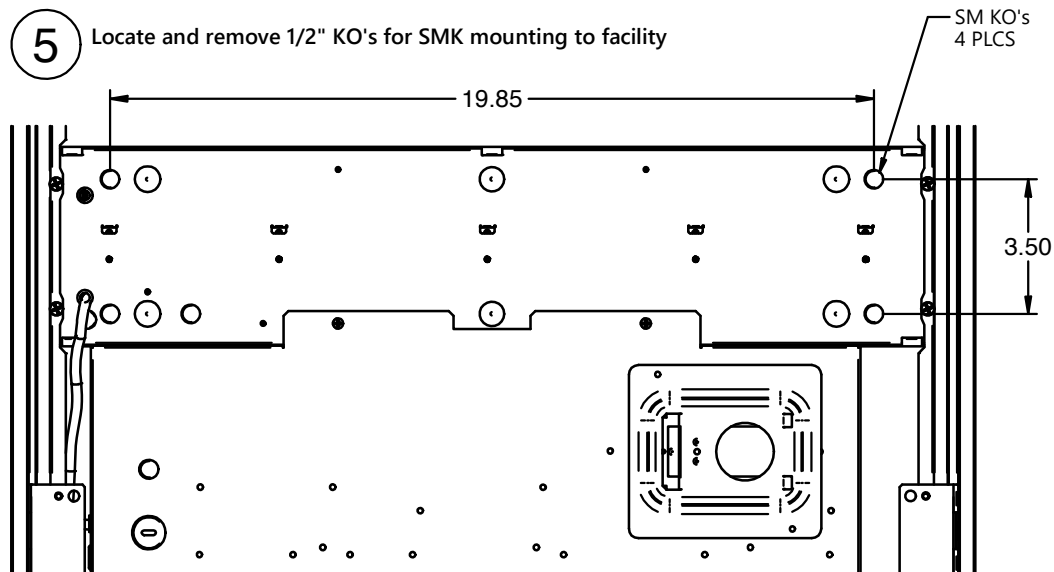
3 Replace fixture endcap corner screws with 1/8" rivet at each corner.



4 Insert fixture into SMK Frame and secure w/hardware provided

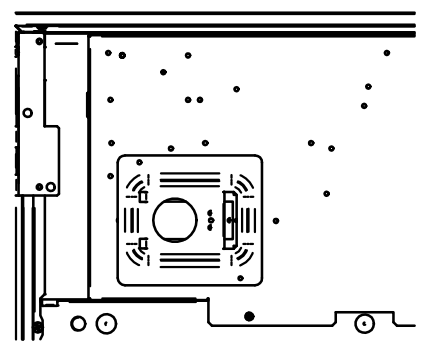


5 Locate and remove 1/2" KO's for SMK mounting to facility

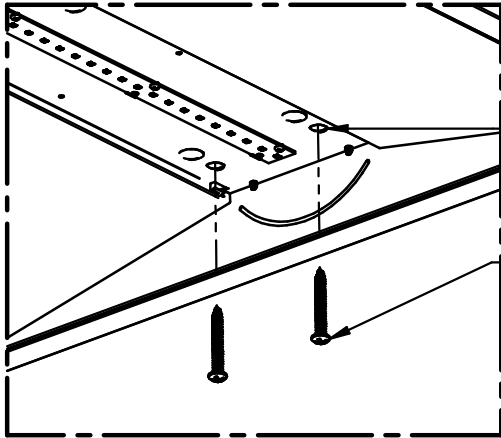
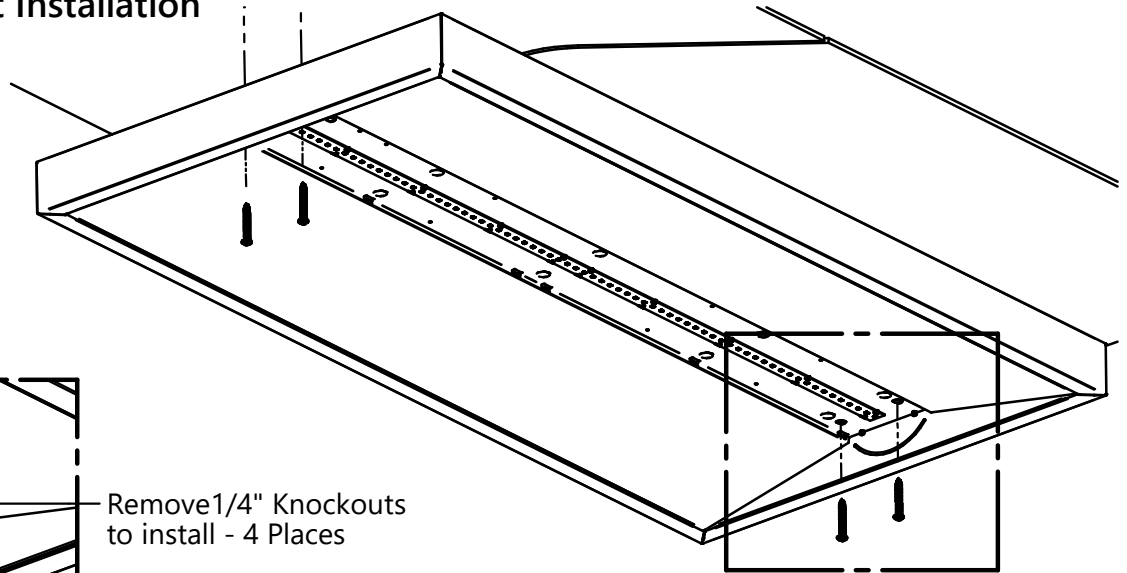


6 7 J-Box Collar Install & Wiring according to NEC local codes.

Confirm collar is in place for wiring and prior to fastening to facility. Install Cable Mounting Kit (CM) provided for security and support during servicing, maintenance, or access to wiring connections.



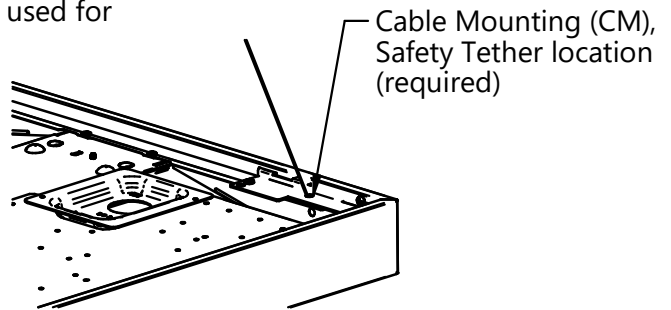
8 Surface Mounting Kit Installation



Remove 1/4" Knockouts to install - 4 Places

Install assembly to facility/ceiling. Use #14x2.0" OR 1/4x2.0" Dia. Flanged Head Sheet Metal Screws or Round Head Philips Wood Screws. 1/4" Dia. Close Fit Clearance Washers may be used for added retention.

Follow Local Codes for Installation (fastening torque, retention, safety tether cables, etc)



Cable Mounting (CM), Safety Tether location (required)

Note: CONTACT FACTORY for details and limitations when seeking to incorporate this product with an emergency system other than Battery Backup.