



# KIM LIGHTING

P.O. Box 60080 • 16555 East Gale Ave.  
City of Industry, California 91716-0080  
626/968-5666 • FAX 626/330-3861

## Junction-Box Installation Instructions



**WARNING: Fixtures must be grounded in accordance with local codes or the National Electrical Code. Failure to do so may result in serious personal injury.**

**J-Box must be installed above finished grade and is NOT APPROVED FOR BELOW GRADE USE.**

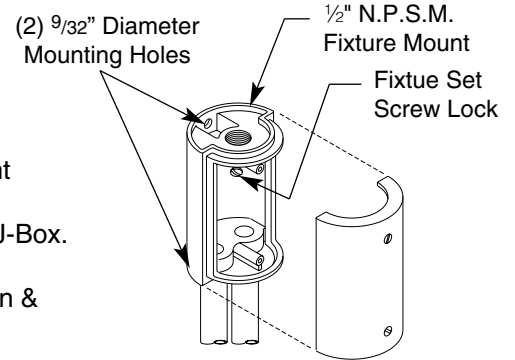
**Tool Required:**  Flat Head Screwdriver



Make certain the electrical supply is **OFF** before starting installation.

1. Remove cover from J-Box.
2. Attach J-Box to conduit system.
3. Before installing fixture, coat fixture threads with a thread sealant to prevent moisture from entering J-Box.
4. Orientate fixture to desired angle and secure fixture with set-screw lock in J-Box.
5. Connect green leads to ground.
6. Connect field wires to fixture leads observing polarity (i.e., white-to-common & black-to-voltage).
7. Replace cover making sure gasket is properly seated.

**NOTE:** Two  $\frac{9}{32}$ " diameter mounting holes are provided so J-Box can be attached to a structural member or brace.



How may we serve you better? Please let us know.  
Visit our website at: [www.kimlighting.com](http://www.kimlighting.com)  
Your concerns are important to us.



# KIM LIGHTING

P.O. Box 60080 • 16555 East Gale Ave.  
City of Industry, California 91716-0080  
626/968-5666 • FAX 626/330-3861

## Junction-Box Installation Instructions



**WARNING: This product contains chemicals known to the State of California to cause cancer, birth defects, and/or other reproductive harm. Thoroughly wash hands after installing, handling, cleaning, or otherwise touching this product.**



**WARNING: Fixtures must be grounded in accordance with local codes or the National Electrical Code. Failure to do so may result in serious personal injury.**

**J-Box must be installed above finished grade and is NOT APPROVED FOR BELOW GRADE USE.**

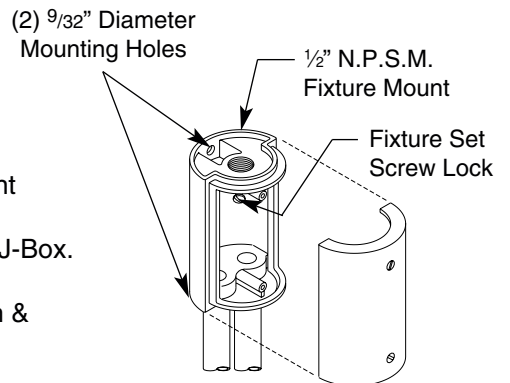
**Tool Required:**  Flat Head Screwdriver



Make certain the electrical supply is **OFF** before starting installation.

1. Remove cover from J-Box.
2. Attach J-Box to conduit system.
3. Before installing fixture, coat fixture threads with a thread sealant to prevent moisture from entering J-Box.
4. Orientate fixture to desired angle and secure fixture with set-screw lock in J-Box.
5. Connect green leads to ground.
6. Connect field wires to fixture leads observing polarity (i.e., white-to-common & black-to-voltage).
7. Replace cover making sure gasket is properly seated.

**NOTE:** Two  $\frac{9}{32}$ " diameter mounting holes are provided so J-Box can be attached to a structural member or brace.



How may we serve you better? Please let us know.  
Visit our website at: [www.kimlighting.com](http://www.kimlighting.com)  
Your concerns are important to us.

## KIM LIGHTING LIMITED WARRANTY

When installed in accordance with Kim Installation Instructions and accepted trade practices, the following shall apply:

### General Product Limited Warranty Coverage

All material and component parts used in the manufacture of Kim Products, are warranted to be free from defects of material and/or workmanship for a period of 1 year from date of sale, with the following exceptions:

### Auxiliary Equipment

All auxiliary equipment (such as lamps, ballasts, and transformers) provided by and/or included in Kim Products shall carry the component manufacturer's warranty.

### Copper and Bronze Landscape Components

Copper and Bronze Landscape fixture components shall be warranted against defects of material and/or workmanship, and failure due to corrosion, for a period of 25 years from date of sale.

### Composite In-Grade Components

Composite In-Grade fixture components installed below grade, shall be warranted against defects of material and/or workmanship, and failure due to corrosion, for a period of 7 years from date of sale.

### Aluminum Landscape Components

Aluminum Landscape fixture components not in direct contact with soil, shall be warranted against defects of material and/or workmanship for a period of 3 years from date of sale. Aluminum fixture components in direct contact with soil shall be warranted from defects of material and failure due to corrosion for a period of 1 year from date of sale.

### Limit of Liability and General Conditions

Only products which are installed, used and maintained in accordance with applicable Kim instructions, specifications and accepted trade practices, are covered by the Kim Warranty. During the warranty period, with proof of purchase, Kim will repair or replace with the same or similar product, at Kim's option, without charge. Labor costs are the owner's responsibility and are excluded from this warranty. This warranty is void if the product is modified, tampered with, misapplied, poorly installed, improperly maintained, or subjected to abnormal conditions.

Repair or replacement as provided under this warranty is the exclusive remedy of the purchaser. This warranty is in lieu of all other warranties, expressed or implied, including any implied warranty of fitness for a particular application. Kim Lighting shall not be liable to the purchaser for indirect or consequential damages.



## KIM LIGHTING LIMITED WARRANTY

When installed in accordance with Kim Installation Instructions and accepted trade practices, the following shall apply:

### General Product and Limited Warranty Coverage

All material and component parts used in the manufacture of Kim Products, are warranted to be free from defects of material and/or workmanship for a period of 1 year from date of sale, with the following exceptions:

### Auxiliary Equipment

All auxiliary equipment (such as lamps, ballasts, and transformers) provided by and/or included in Kim Products shall carry the component manufacturer's warranty.

### Copper and Bronze Landscape Components

Copper and Bronze Landscape fixture components shall be warranted against defects of material and/or workmanship, and failure due to corrosion, for a period of 25 years from date of sale.

### Composite In-Grade Components

Composite In-Grade fixture components installed below grade, shall be warranted against defects of material and/or workmanship, and failure due to corrosion, for a period of 7 years from date of sale.

### Aluminum Landscape Components

Aluminum Landscape fixture components not in direct contact with soil, shall be warranted against defects of material and/or workmanship for a period of 3 years from date of sale. Aluminum fixture components in direct contact with soil shall be warranted from defects of material and failure from corrosion for a period of 1 year from date of sale.

### Limit of Liability and General Conditions

Only products which are installed, used and maintained in accordance with applicable Kim instructions, specifications, and accepted trade practices, are covered by the Kim Warranty. During the warranty period, with proof of purchase, Kim will repair or replace with the same or similar product, at Kim's option, without charge. Labor costs are the owner's responsibility and are excluded from this warranty. This warranty is void if the product is modified, tampered with, misapplied, poorly installed, improperly maintained, or subjected to abnormal conditions.

Repair or replacement as provided under this warranty is the exclusive remedy of the purchaser. This warranty is in lieu of all other warranties, expressed or implied, including any implied warranty of fitness for a particular application. Kim Lighting shall not be liable to the purchaser for indirect or consequential damages.

