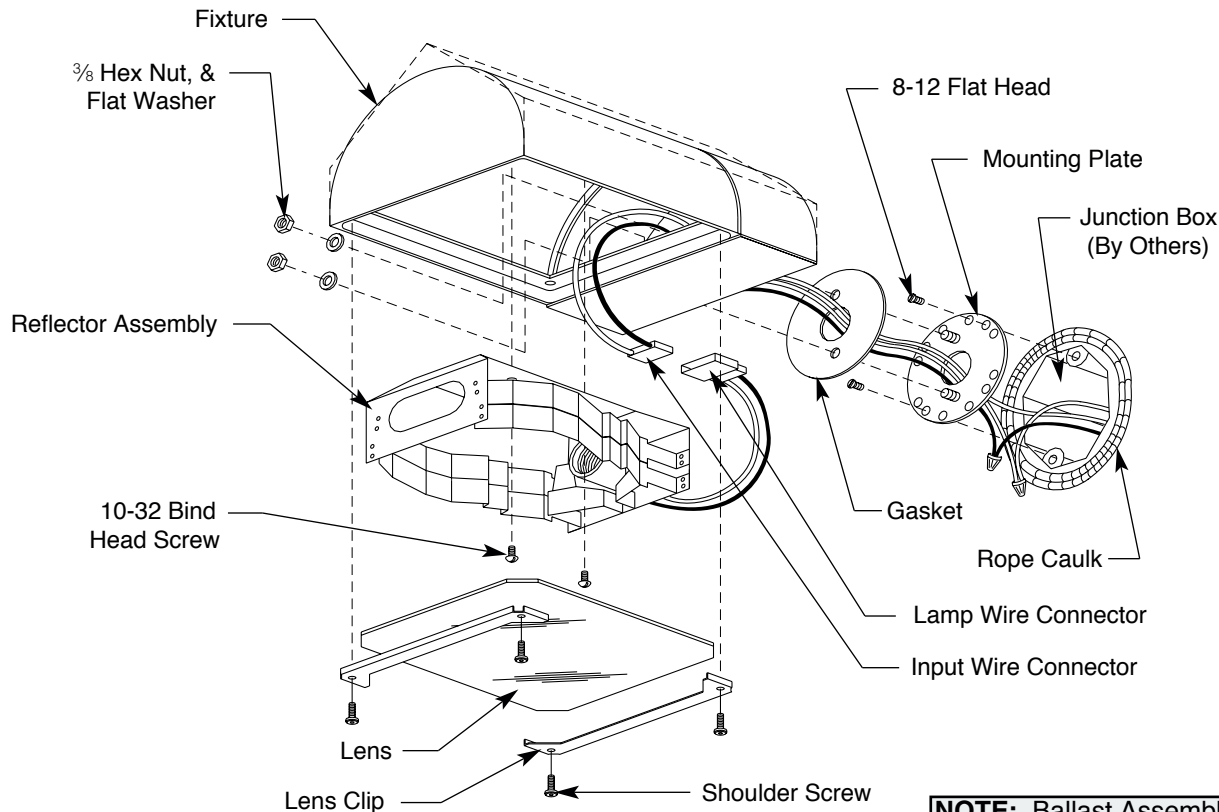


MAINTENANCE: For optimum performance a regularly scheduled maintenance program should be followed.
NOTE: KEEP THIS SHEET FOR FUTURE REFERENCE.



NOTE: Ballast Assembly Not Shown

Tools Required: 1/8" Hex Key Flat Head Screwdriver Ratchet with 9/16" Socket 3" Extension

Installation Instructions: ⚠ Make certain electrical supply is **OFF** before starting fixture installation.

1. Place rope caulk around junction box to provide a continuous seal against the fixture back. Attach mounting plate to J-Box with (2) 8-31 flat head screws (provided).
2. Remove lens, reflector assembly, and ballast assembly.
3. Attach fixture leads to circuit leads observing polarity, i.e.; green-to-ground, white-to-common and black-to-voltage. Tuck all leads and connections into J-Box.
4. Guide fixture onto mounting plate studs. Level fixture and secure with (2) flat washers, and (2) 3/8" hex nuts (provided). Tighten securely.
5. Install ballast assembly. Join input wire connector with mating connector on ballast assembly. Join lamp wire connector with mating connector on ballast assembly. (For incandescent fixtures, join input wire connector with lamp wire connector.)
6. Install reflector assembly with (2) 10-32 bind head screws.
7. Install lamp of type and wattage shown on fixture label. L.E.D. lamps available in 30W & 60 W. Do not exceed maximum wattage.
8. Replace lens assembly making sure gasket is clean. Tighten screws progressively and evenly to insure even gasket pressure.

MAINTENANCE INSTRUCTIONS

Lamp Installation or Replacement: ⚠ Make sure electricity is **OFF** before starting fixture installation.

Note: Coated lamps are recommended for optimum uniformity of light.

1. Progressively loosen (4) 10-32 socket head lens screws using a 1/8" hex key and remove lens.
2. Install lamp into socket. Only use lamp type and wattage shown on fixture label affixed to reflector assembly. Do not exceed maximum wattage.
3. Replace lens making sure gasket is clean. Tighten screws progressively and evenly to insure even gasket pressure.



WARNING:

This H.I.D. / Fluorescent fixture utilizes a lamp that may contain mercury. For information on disposal of lamp go to website: www.lamprecycle.org

Cleaning Lexan Lens and Reflector Assembly:

⚠ Make certain the electrical supply is **OFF** before cleaning.

1. Progressively loosen four 10-32 socket head lens screws. **NOTE:** Lens screws are self-retained to lens clip.
2. Remove lamp.
3. Dusting with a clean, dry cloth is normally sufficient to clean the reflector.
4. Clean lens with a mild detergent.
5. Re-install lamp. Replace lens making sure gasket is clean. Tighten screws progressively and evenly to insure even gasket pressure.

REPLACEMENT PARTS

DESCRIPTIONS	PART NO.
Glass Lens	84138
*Retrofit Lens Assembly	85624

*Retrofit glass lens assembly to convert from acrylic lens.

For warranty see: currentlighting.com/kimlighting