

Pole Drilling Instructions For Mounting Fixtures On Poles By Others

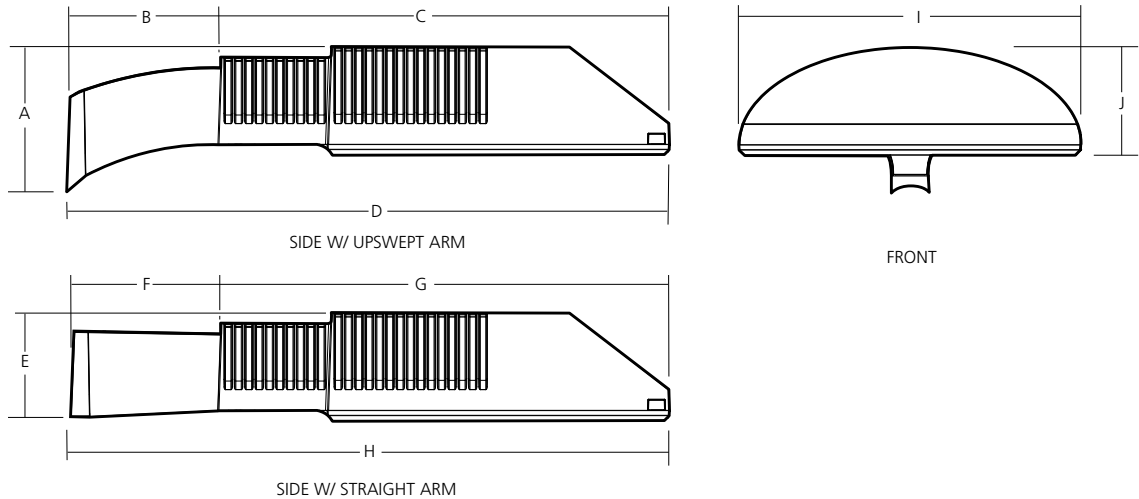
ARX, ALT, WP9, AR/SAR, ET/SET, BNS1, SRS, CC, CCS, and UR.

The following is the information required for the pole vendor to figure the pole strength and size of pole.

NOTE: KIM Lighting assumes no responsibility for pole strength or size of poles by others.

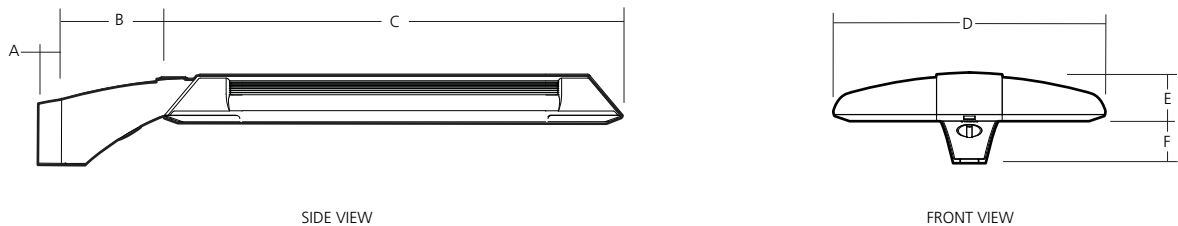
See reverse for fixture mounting arrangements, drilling instructions, and steps to follow to receive the proper support arm for mounting fixtures.

ARX – ArcheType®



Cat. No.	A	B	C	D	E	F	G	H	I	J	Max. Wt.
ARX09	7-7/16"	6-1/16"	20-3/8"	26-7/16"	5-1/4"	6"	20-3/8"	26-3/8"	13-5/8"	5-5/16"	28 lb.
ARX16	8-1/8"	9-1/8"	23"	32-1/8"	5-7/8"	8-7/8"	23"	31-7/8"	17"	5-7/8"	39 lb.
ARX25	8-3/4"	9-1/8"	27-5/16"	36-7/16"	6-1/2"	8-7/8"	27-5/16"	36-3/16"	20-11/16"	6-1/2"	68 lb.

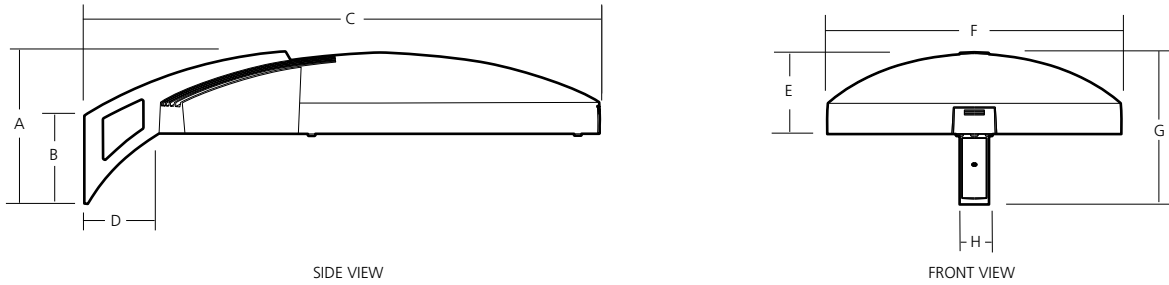
ALT – Altitude



Cat. No.	A	B	C	D	E	F	Approx. Wt.
ALT60	2"	7-3/4"	23-1/4"	17"	4-1/8"	3-7/8"	27 lb.
ALT96	2"	7-3/4"	26-3/4"	17"	4-1/8"	3-7/8"	30 lb.
ALT120	2"	7-3/4"	30-1/4"	17"	4-1/8"	3-7/8"	34 lb.
ALT180	2"	9-3/4"	32-1/2"	25"	4-1/8"	3-7/8"	49 lb.
ALT240	2"	9-3/4"	36-3/4"	25"	4-1/8"	3-7/8"	55 lb.
ALT300	2"	9-3/4"	42-3/4"	25"	4-1/8"	3-7/8"	67 lb.

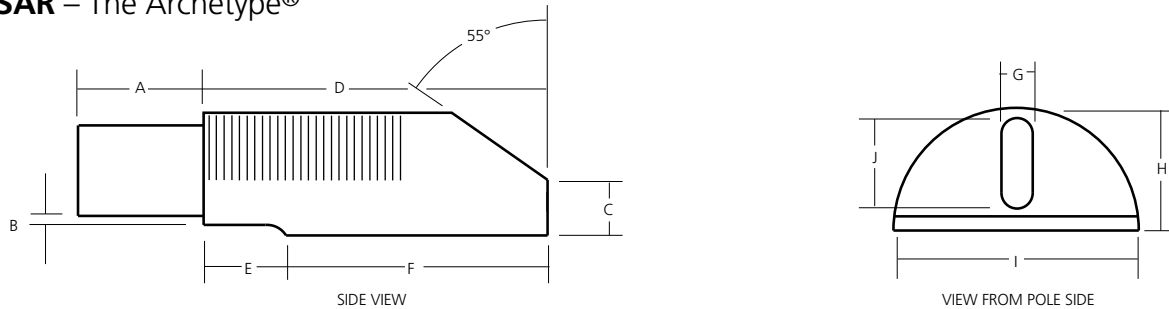
Pole Drilling Instructions For Mounting Fixtures On Poles By Others
 ARX, ALT, WP9, AR/SAR, ET/SET, BNS1, SRS, CC, CCS, and UR.

WP9S / WP9L – WARP9®



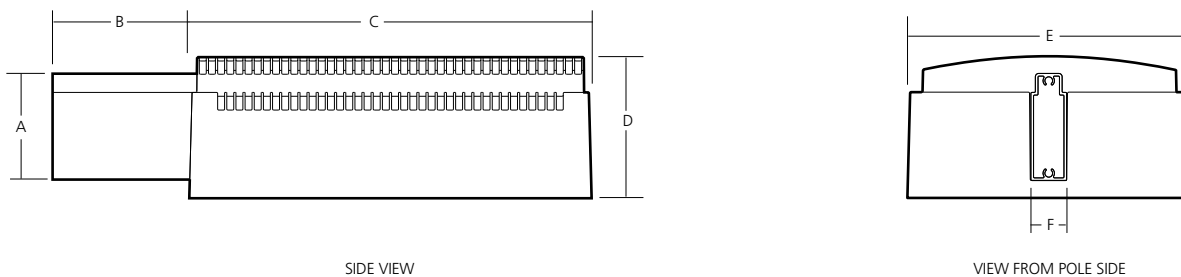
Cat. No.	A	B	C	D	E	F	G	H	Max. Wt.
WP9S	8-15/16"	5-9/16"	26-15/16"	4-7/16"	4-1/8"	15"	8-15/16"	1-1/2"	30 lb.
WP9L	10-5/16"	5-15/16"	35-1/8"	5-1/8"	5-1/2"	20"	10-5/16"	1-15/16"	50 lb.

AR / SAR – The Archetype®



Cat. No.	A	B	C	D	E	F	G	H	I	J	Approx. Wt.
SAR	5"	7/16"	2-3/4"	17-1/8"	4-17/32"	12-19/32"	1-3/4"	6"	12"	4-1/2"	30 lb.
AR	8"	11/16"	3-5/8"	22-7/16"	5-1/2"	16-15/16"	2"	8"	16"	6"	50 lb.

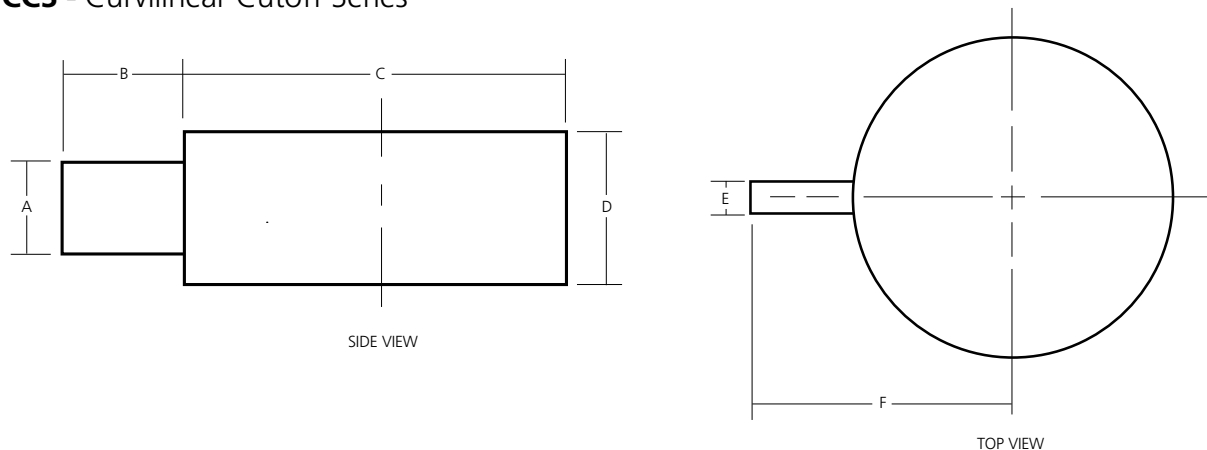
ET/SET– The Entablature®



Cat. No.	A	B	C	D	E	F	Max. Wt.
SET	4-1/2"	5"	17-1/2"	6"	12"	1-3/4"	27 lb.
ET	6"	8"	23"	8"	16"	2"	50 lb.

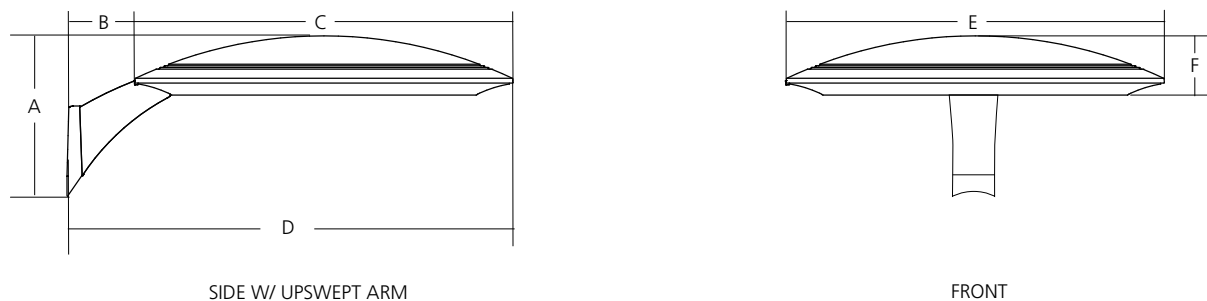
Pole Drilling Instructions For Mounting Fixtures On Poles By Others
ARX, ALT, WP9, AR/SAR, ET/SET, BNS1, SRS, CC, CCS, and UR.

CC / CCS - Curvilinear Cutoff Series



Cat. No.	A	B	C	D	E	F	Approx. Wt.
CC17A/CCS17A	6"	4-1/2"	17"	8"	2"	13"	27 lb.
CC21A/CCS21A	6"	4-1/2"	21"	10"	2"	15"	48 lb.
CC25A/CCS25A	6"	8"	25"	10"	2"	20-1/2"	68 lb.

UR - Ouro Arm



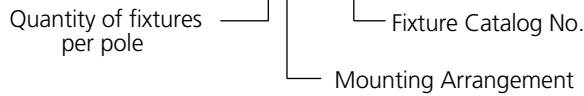
Cat. No.	A	B	C	D	E	F	Approx. Wt.
UR20	10.7"	4.8"	20.5"	25.3"	20.5"	3.5"	32 lb.
UR28	11.9"	4.9"	28"	32.9"	28"	4.4"	50 lb.

Pole Drilling Instructions For Mounting Fixtures On Poles By Others

ARX, ALT, WP9, AR/SAR, ET/SET, BNS1, SRS, CC, CCS, and UR.

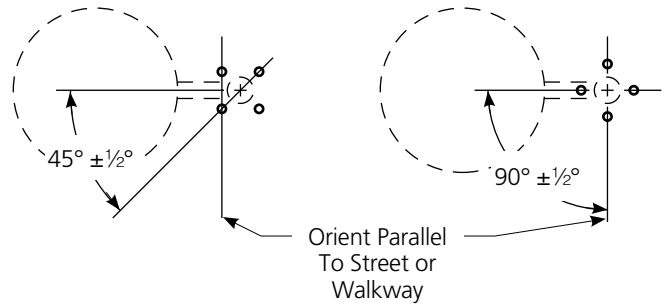
Fixture mounting arrangements: The desired mounting arrangement will determine the required position of drilling on pole by others. Mounting arrangement is determined by Kim catalog number.

Example: 2B/AR3E35



- A** Drilling shown for fixture mounting "A"
- B** For fixture mounting "B"
Drilling shown typical 2 places at $180^\circ \pm 1^\circ$
- C** For fixture mounting "C"
Drilling shown typical 4 places at $90^\circ \pm \frac{1}{2}^\circ$
- L** For fixture mounting "L"
Drilling shown typical 2 places at $90^\circ \pm \frac{1}{2}^\circ$
- T** For fixture mounting "T"
Drilling shown typical 3 places at $90^\circ \pm \frac{1}{2}^\circ$
- Y*** For fixture mounting "Y"
Drilling shown typical 3 places at $120^\circ \pm \frac{1}{2}^\circ$
* For Round Poles Only

Note: For proper drilling of poles be sure to note fixture orientation to anchor bolts. Select one of the orientations suited to your pole and keep consistent for all poles the same. Drawings below show proper orientation for fixture mounting arrangement "A". Arrangements "B", "C", "L", and "T" are typical.



Orientation For Poles with Anchor Bolts In Corners of Base Plate.

Kim Lighting shall supply fixture, support arm and fixture mounting hardware. All others shall be supplied by pole vendor.

Pole Drilling Instructions For Mounting Fixtures On Poles By Others

ARX, ALT, WP9, AR/SAR, ET/SET, BNS1, SRS, CC, CCS, and UR.

Below is the information you must furnish KIM Lighting so we can supply the proper support arm for mounting KIM fixtures to poles by others.

POLE SIZE:

Item Number	Type	Bottom (Spec. O.D. or Sq.)	Top (Spec. O.D. or Sq.)	Height	Wall Thickness	No. of Fixtures Per Pole	Quantity of Poles
1.	_____	_____ x _____	_____ x _____	_____	_____	_____	_____
2.	_____	_____ x _____	_____ x _____	_____	_____	_____	_____

Fill in the information below and return a copy to KIM Lighting.

Job Name: _____

Pole Vendor: _____

KIM Invoice No.: _____

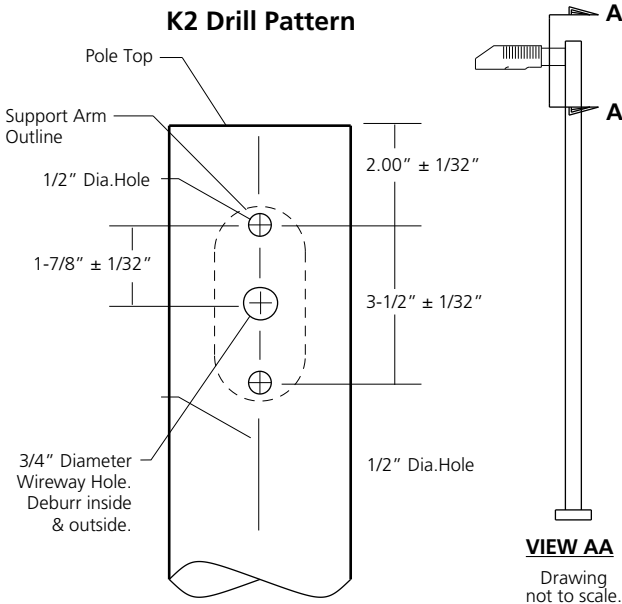
Date: _____

Send Copy to:

Kim Lighting
 17760 Rowland Street
 City of Industry, CA 91748
 Phone: 626/968-5666

Fixture Drilling Instructions:

For ARX, ALT, BNS1, SAR, SET, SRS, UR, and WP9. Fixtures Only.



Fixture Drilling Instructions:

For AR, CC, CCS, and ET Fixtures.

