

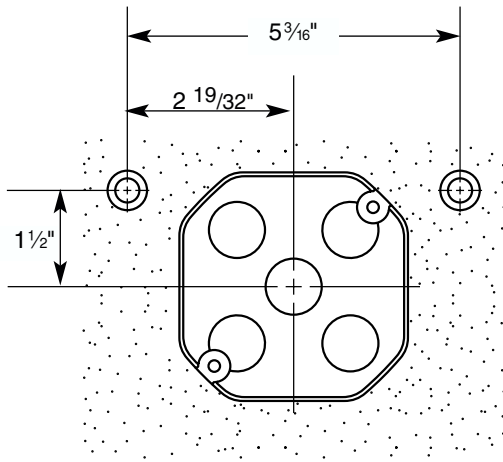
⚠ WARNING: Fixtures must be grounded in accordance with local codes or the National Electrical Code. Failure to do so may result in serious personal injury.

KEEP THIS SHEET FOR FUTURE REFERENCE.

- Tools Required:**
- Flat Blade Screwdriver
 - $\frac{9}{16}$ " Wrench
 - (2) $\frac{3}{8}$ " Bolts & Washers
 - Silicone Sealant
 - (2) $\frac{3}{8}$ " Concrete Anchors

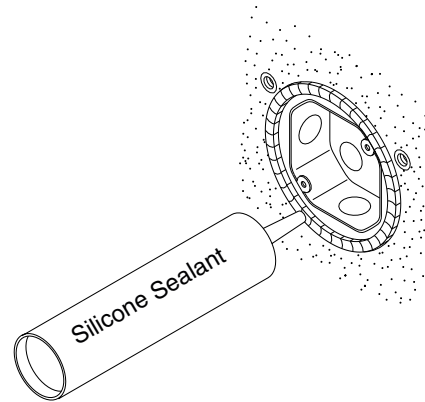
Step 1 - Install Concrete Anchors

- Drill and install $\frac{3}{8}$ " concrete anchors as shown below.



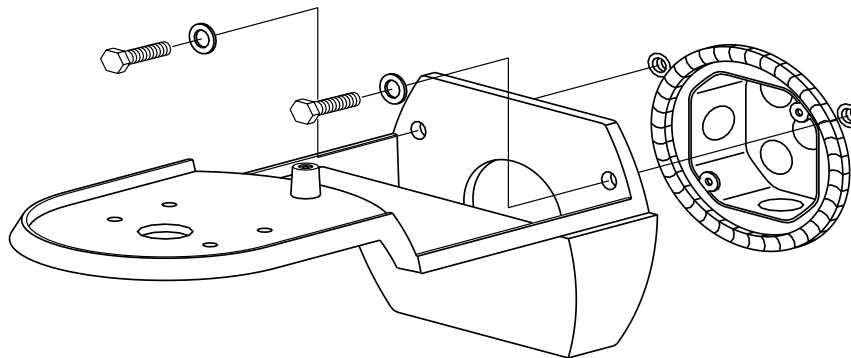
Step 2 - Seal J-Box

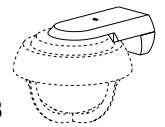
- Apply silicone base sealant (by others) about 1" away from mounting plate to prevent water intrusion. **Note:** In conformance with UL Standard 1570, 1571, & 1572, a silicone base sealant must be used between fixture and supporting wall.



Step 3 - Mount Wall Bracket

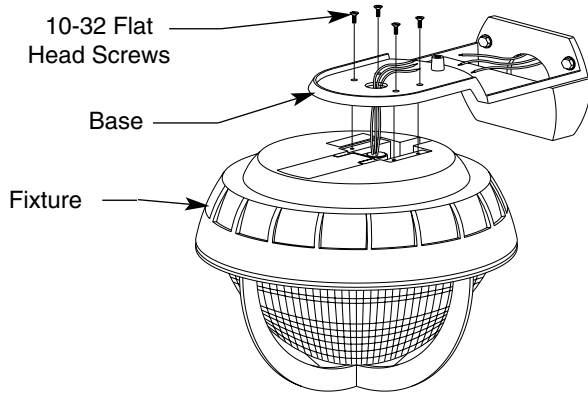
- Unpack wall bracket and separate cover from base.
- Mount base to wall using $\frac{3}{8}$ " dia. bolts of the appropriate length and washers.





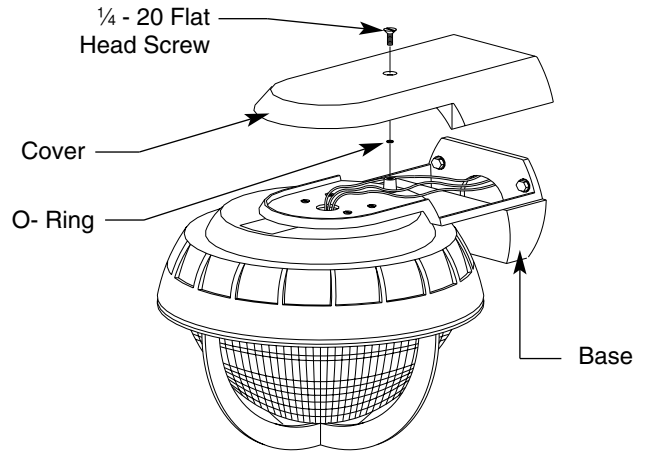
Step 4 - Mount Fixture To Base

- Mount fixture to base using 10-32 flat head screws attached to fixture top.
- Make field wire connections, observing polarity i.e. green-to-ground, white-to-common, and black-to-voltage.
- Push wire connections into J-Box.



Step 5 - Mount Cover To Base

- Mount cover to base using ¼-20 flat head screw (provided). Make sure O-ring seal is in place around screw.



KIM LIGHTING LIMITED WARRANTY

When installed in accordance with Kim Installation Instructions and accepted trade practices, the following shall apply:

⚠ General Product Limited Warranty Coverage: All material and component parts used in the manufacture of Kim Products, are warranted to be free from defects of material and/or workmanship for a period of 1 year from date of sale, with the following exceptions:

⚠ Auxiliary Equipment: All auxiliary equipment (such as lamps, ballasts, and transformers) provided by and/or included in Kim Products shall carry the component manufacturer's warranty.

⚠ Copper and Bronze Landscape Components: Copper and Bronze Landscape fixture components shall be warranted against defects of material and/or workmanship, and failure due to corrosion, for a period of 25 years from date of sale.

⚠ Composite In-Grade Components: Composite In-Grade fixture components installed below grade, shall be warranted against defects of material and/or workmanship, and failure due to corrosion, for a period of 7 years from date of sale.

⚠ Aluminum Landscape Components: Aluminum Landscape fixture components not in direct contact with soil, shall be warranted against defects of material and/or workmanship for a period of 3 years from date of sale. Aluminum fixture components in direct contact with soil shall be warranted from defects of material and failure from corrosion for a period of 1 year from date of sale.

⚠ Limit of Liability and General Conditions: Only products which are installed, used and maintained in accordance with applicable Kim instructions, specifications and accepted trade practices, are covered by the Kim Warranty. During the warranty period, with proof of purchase, Kim will repair or replace with the same or similar product, at Kim's option, without charge. Labor costs are the owner's responsibility and are excluded from this warranty. This warranty is void if the product is modified, tampered with, misapplied, poorly installed, improperly maintained, or subjected to abnormal conditions.

Repair or replacement as provided under this warranty is the exclusive remedy of the purchaser. This warranty is in lieu of all other warranties, expressed or implied, including any implied warranty of fitness for a particular application. Kim Lighting shall not be liable to the purchaser for indirect or consequential damages.

How may we serve you better?
 Please let us know. Visit our website at:
currentlighting.com/kimlighting
 Your concerns are important to us.