

HSF

## ET / SET - HORIZONTAL SLIPFITTER Installation Instructions

**⚠ WARNING: Fixtures must be grounded in accordance with local codes or the National Electrical Code. Failure to do so may result in serious personal injury.**

**NOTE: All electrical work must be done by a qualified electrician.**

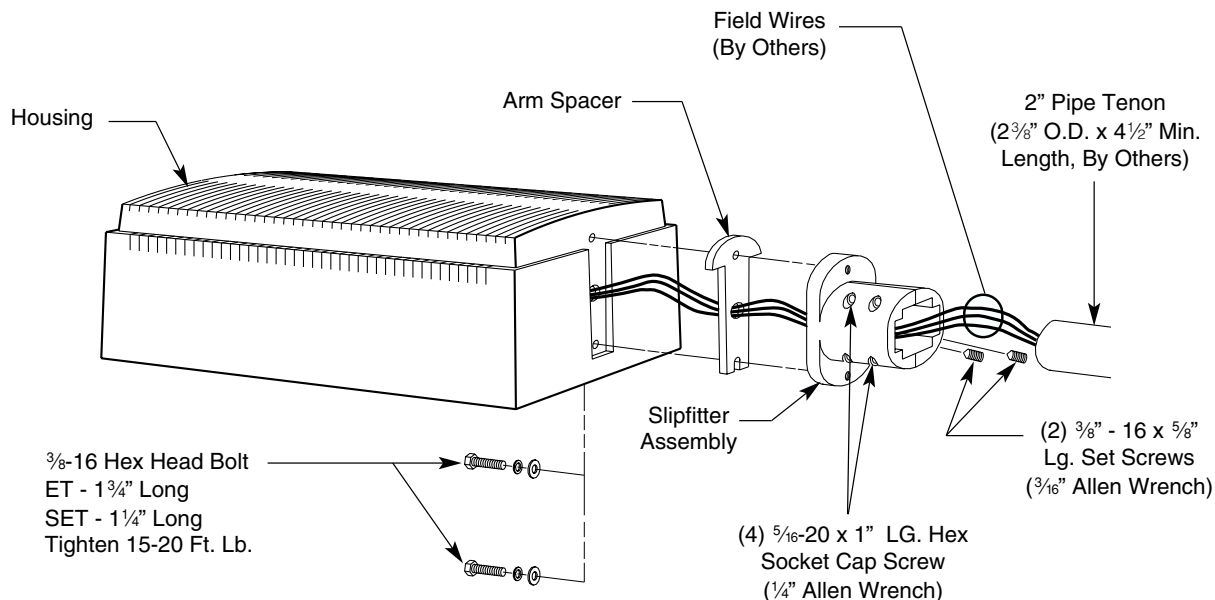
**KEEP THIS SHEET FOR FUTURE REFERENCE.**

**Tools Required:**

- 3/16" Allen Wrench
- Drill with 3/16" Drill Bit
- 1/4" Allen Wrench
- Ratchet Torque Wrench w/ 9/16" Socket

**⚠** Make sure electricity is **OFF** before starting installation.

1. Attach slipfitter to housing. Square slipfitter with housing and tighten bolts 15 - 20 ft.-lbs.
2. Pull field wires through the pole tenon and slipfitter into the housing. Carefully slide the slipfitter over the tenon, making sure wires are not pinched.
3. Square fixture with tenon and tighten (4) tenon clamp screws progressively.
4. Remove slipfitter set screws, drill 3/16" diameter recess in tenon for screw point and replace screws.
5. Attach fixture wires to field wires, i.e.; green-to-ground, white-to-common, and black-to-voltage. Field wires must be kept away from ballast core or be rated min. 150° C.



---

# ET / SET - Horizontal Slipfitter Installation Instructions

---

## KIM LIGHTING LIMITED WARRANTY

When installed in accordance with Kim Installation Instructions and accepted trade practices, the following shall apply:

### **General Product Limited Warranty Coverage**

All material and component parts used in the manufacture of Kim Products, are warranted to be free from defects of material and/or workmanship for a period of 1 year from date of sale, with the following exceptions:

### **Auxiliary Equipment**

All auxiliary equipment (such as lamps, ballasts and transformers) provided by and/or included in Kim Products shall carry the component manufacturer's warranty.

### **Copper and Bronze Landscape Components**

Copper and Bronze Landscape fixture components shall be warranted against defects of material and/or workmanship, and failure due to corrosion, for a period of 25 years from date of sale.

### **Composite In-Grade Components**

Composite In-Grade fixture components installed below grade, shall be warranted against defects of material and/or workmanship, and failure due to corrosion, for a period of 7 years from date of sale.

### **Aluminum Landscape Components**

Aluminum Landscape fixture components not in direct contact with soil, shall be warranted against defects of material and/or workmanship for a period of 3 years from date of sale. Aluminum fixture components in direct contact with soil shall be warranted from defects of material and failure from corrosion for a period of 1 year from date of sale.

### **Limit of Liability and General Conditions**

Only products which are installed, used and maintained in accordance with applicable Kim instructions, specifications and accepted trade practices, are covered by the Kim Warranty. During the warranty period, with proof of purchase, Kim will repair or replace with the same or similar product, at Kim's option, without charge. Labor costs are the owner's responsibility and are excluded from this warranty. This warranty is void if the product is modified, tampered with, misapplied, poorly installed, improperly maintained, or subjected to abnormal conditions.

Repair or replacement as provided under this warranty is the exclusive remedy of the purchaser. This warranty is in lieu of all other warranties, expressed or implied, including any implied warranty of fitness for a particular application. Kim Lighting shall not be liable to the purchaser for indirect or consequential damages.