

AFL20 and AFL30 Side Pole Mount, Round & Square Poles

Installation Instructions

⚠ WARNING: Fixtures must be grounded in accordance with local codes or the National Electrical Code. Failure to do so may result in serious personal injury.

MAINTENANCE: A regularly scheduled maintenance program must be established to insure paint coating is intact, corrosion or structural damage has not occurred, and all mounting arms, rods, nuts and bolts are tight. Failure to do so could lead to damage or serious personal injury.

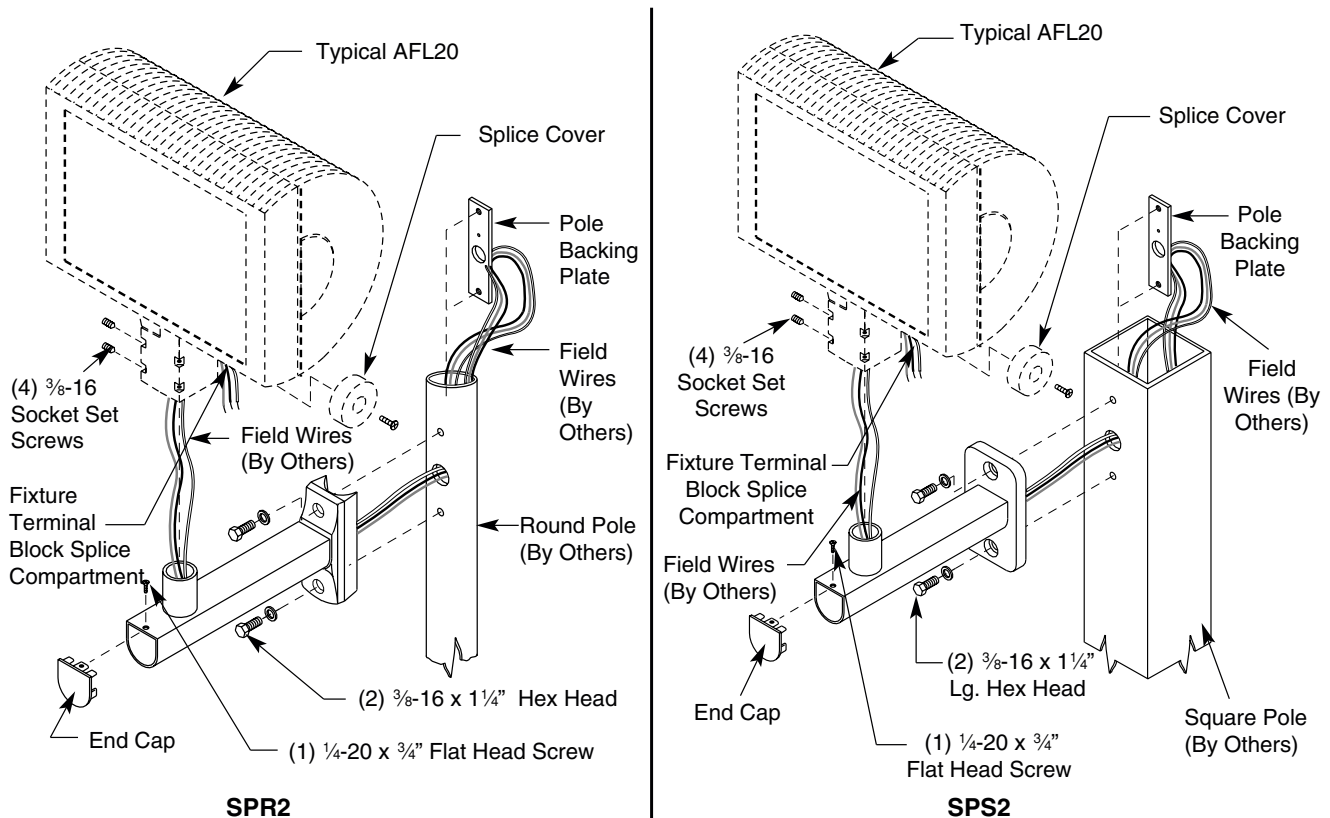
KEEP THIS SHEET FOR FUTURE REFERENCE.

Tools Required: Stubby Flat Blade Screwdriver $\frac{3}{16}$ " & $\frac{3}{32}$ " Allen Wrench
 Ratchet Torque Wrench with $\frac{1}{16}$ " Socket $\frac{7}{16}$ " & $\frac{5}{8}$ " Diameter Drills

SIDE POLE MOUNT FOR AFL20 (SPR2 and SPS2)

⚠ Make certain electrical supply is **OFF**.

1. Position hole template on pole (see detail on back), orient to desired position and drill holes. Deburr wireway hole.
2. Pull field wires through pole and out the top. Tie-wrap wires to pole backing plate. Tie field wires in a knot or back-loop through tie-wrap. Allow wires to extend approximately 25" past wireway opening in pole.
3. Feed field wires through arm mount. Hold pole backing plate inside pole and thread mounting bolts with washers into plate. Square arm mount with pole and tighten bolts 15 to 20 ft.-lbs.
4. Install fixture per fixture installation instructions. Fish wires up tenon into fixture splice compartment. Make all wiring connections observing polarity, i.e. green-to-ground, white-to-common and black-to-voltage. Attach end cap.
5. See fixture installation instructions for swivel adjustments.



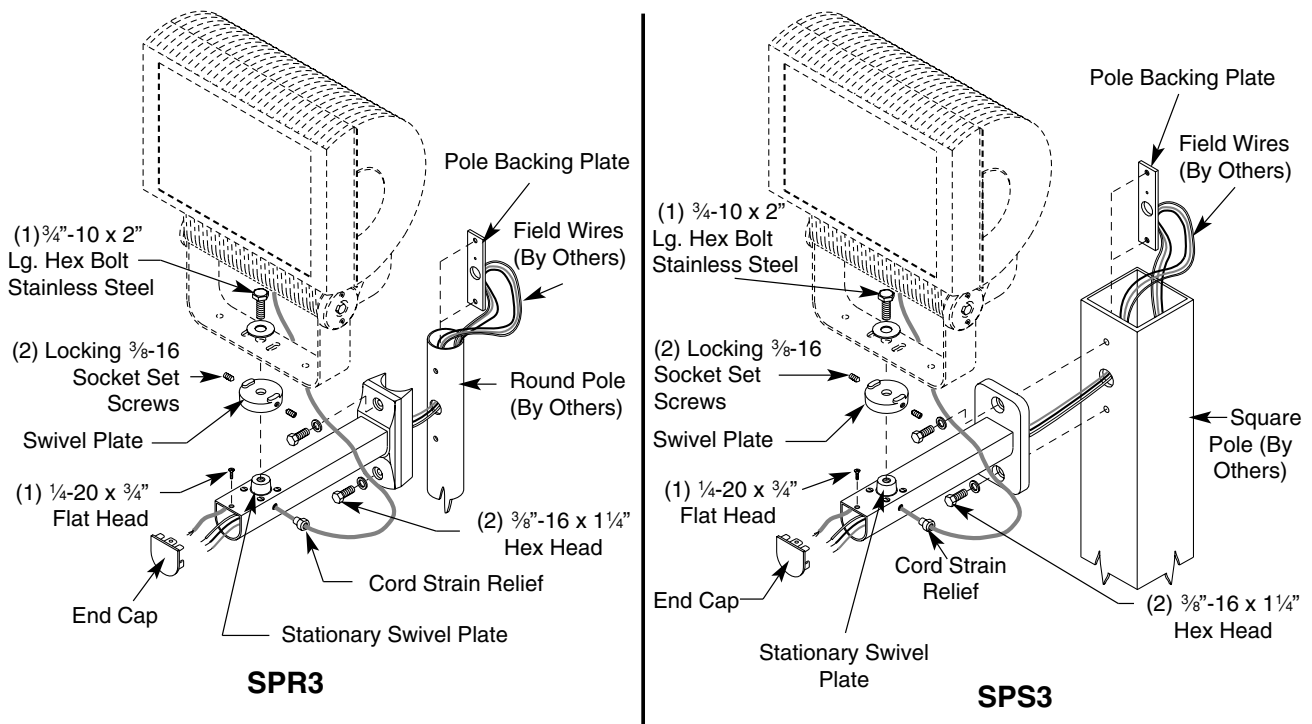
Side Pole Mount for AFL30 (SPR3 and SPS3) Installation Instructions

- Tools Required:**
- Stubby Flat Blade Screwdriver
 - Ratchet Torque With $\frac{9}{16}$ " & $\frac{3}{4}$ " Sockets
 - $\frac{3}{16}$ " Allen Wrench
 - $\frac{7}{16}$ " x $\frac{5}{8}$ " Diameter Drills

Side Pole Mount or AFL30 (SPR3 and SPS3)

⚠ Make certain electrical supply is **OFF** before starting installation.

1. Position hole template on pole, orient to desired position and drill holes. Deburr wireway hole.
2. Pull field wires through pole and out the top. Tie-wrap wires to pole backing plate. Tie field wires in a knot or back-loop through tie-wrap. Allow wires to extend approximately 25" past wireway.
3. Feed field wires through arm mount. Hold pole backing plate inside pole and thread mounting bolts with washers into plate. Square arm mount with pole and tighten (2) $\frac{3}{8}$ " hex hd. bolts 15 to 20 ft.-lbs.
4. Attach fixture to arm mount with (1) $\frac{3}{4}$ " - 10 x 2" hex hd. stainless steel trunnion bolt and (1) $\frac{3}{4}$ " flat stainless steel washer. Attach fixture cord to arm mount with cord strain relief (supplied). Fish cord through hole in Arm Mount and out arm mount opening. Allow enough length in cord for a drip loop and fixture adjustments, cut cord approximately 9" past end of arm mount opening. Strip cord and connect leads from fixture cord to field circuit wires observing polarity, i.e., green-to-ground, white-to-common, and black-to-voltage. Feed splices into arm mount and attach end cap.
5. Aim fixture to the desired position. Tighten $\frac{3}{4}$ "-10 hex hd. trunnion bolt 20 to 25 ft. lbs. and secure with (2) $\frac{3}{8}$ "-16 socket set screws.
6. See fixture instruction sheet for fixture adjustment.



Hole Template for SPR2, SPS2, SPR3, SPS3

