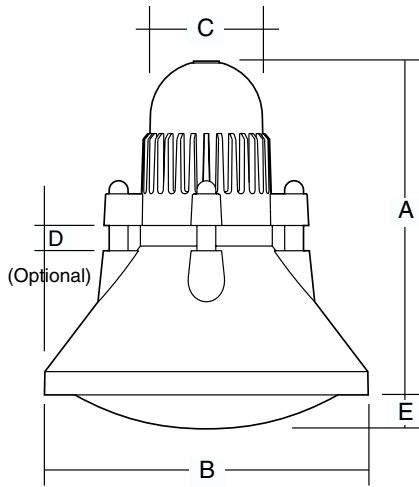
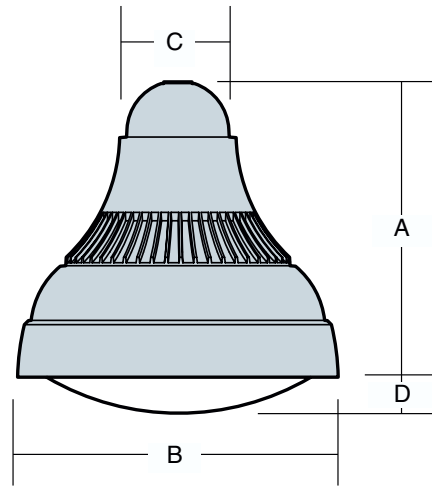


RA17 / RA25 - The ERA



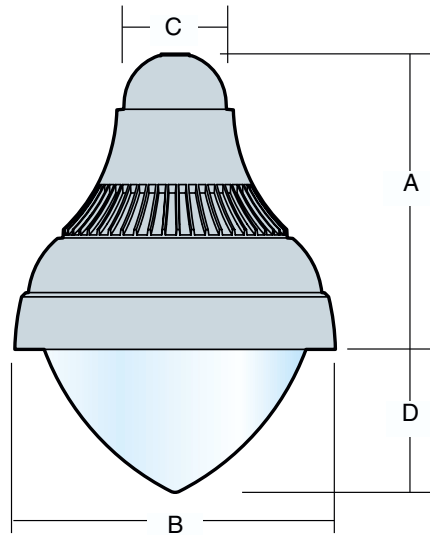
Cat No.	A	B	C	D	E
RA17	17½"	17"	6"	1"	1¾"
RA25	23½"	25"	8"	1½"	2½"

BE17 / BE21 - ERA BELL



Cat. No.	A	B	C	D
BE17	15⅜"	17¼"	5⅜"	1¾"
BE21	19⅝"	21"	6¾"	2⅜"

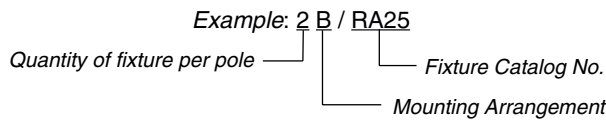
AE17 / AE21- ERA ACORN



Cat. No.	A	B	C	D
AE17	15⅜"	17¼"	5⅜"	7½"
AE21	19⅝"	21"	6¾"	9⅜"

Pole Drilling Instruction For Mounting Fixtures On Poles By Other ERA® & Heritage Series

Fixture mounting arrangements: The desired mounting arrangement will determine the required position of drilling on pole by others. KIM catalog determines mounting arrangement.

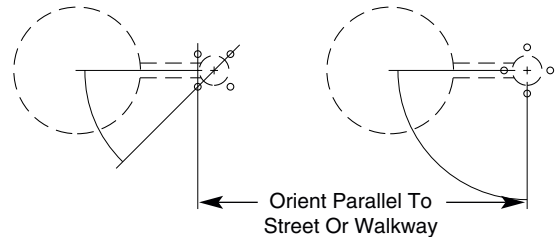


- A** Drilling shown for fixture mounting "A"
- B** For fixture mounting "B"
Drilling shown typical, 2 places at $180^\circ \pm 1^\circ$
- Y** For fixture mounting "Y"
Drilling shown typical, 3 places at $120^\circ \pm 1^\circ$
- C** For fixture mounting "C"
Drilling shown typical, 4 places at $90^\circ \pm 1^\circ$

For other heritage mounting arrangements such as: CCS, CSL, SAS, SAL please consult factory.

Note: For proper drilling of poles be sure to note fixture orientation to anchor bolts. Select one of the orientations suited to your pole and keep consistent for all poles the same. Drawings below show proper orientation for fixture mounting arrangement "A". Arrangements "B", "Y", and "C" are typical.

Anchor Bolt Fixture Orientation

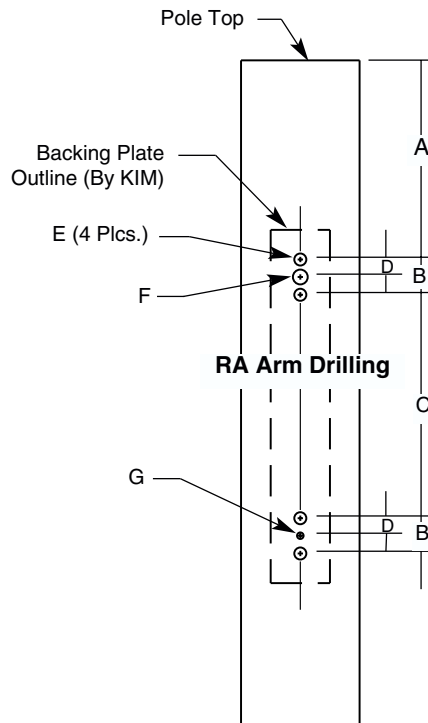


DETAIL A
ORIENTATION FOR
POLES WITH ANCHOR
BOLTS IN CORNERS OF
BASE PLATE

DETAIL B
ORIENTATION FOR
POLES WITH ANCHOR
BOLTS ON CENTER
LINE.

KIM Lighting shall supply fixture, support arm and fixture mounting hardware. All others shall be supplied by pole vendors.

Pole Drilling Instructions, CAS and CAL Mounts



Catalog Number	A	B	C	D	EØ	FØ	GØ
CAS for RA17, AE17, BE17	6.72"	1.19"	7.54"	0.59"	0.40"	0.50"	0.22"
CAL for RA25, AE21, BE21	8.72"	2.10"	9.65"	1.05"	0.53"	1.00"	0.22"



Pole Drilling Instruction For Mounting Fixtures On Poles By Other ERA® & Heritage Series

Below is the information you must furnish KIM Lighting so we may supply the proper support arm for mounting KIM fixtures to poles by others.

Pole Description and Size:

Item Number	Type	Bottom (Spec. O.D. or SQ.)	Top (Spec. O.D. or SQ.)	Height	Wall Thickness	No. of Fixtures Per Pole	Quantity of Poles
1.		X	X	X			
2.		X	X	X			

Example:

1.	EE	4"O.D.	X	4"	X	30'	X	.250	2	15
----	----	--------	---	----	---	-----	---	------	---	----

Fill in the information below and return to KIM Lighting, Inc.

Job Name: _____

Pole Vendor: _____

KIM Invoice No.: _____

Date: _____

For warranty see: currentlighting.com/kimlighting