

INSTRUCTIONS PERTAINING TO A RISK OF FIRE OR INJURY TO PERSONS

IMPORTANT SAFETY INSTRUCTIONS!

⚠ WARNING - To reduce the risk of FIRE OR INJURY TO PERSONS: Do Not overdrive fixtures with greater than 12 volts or fixture over-heating and short lamp life will occur. Do Not overload the transformer by installing (or relamping) higher wattage lamps than planned. Note: Total wattage of all lamps connected to one transformer must not exceed the capacity of that transformer. Do Not install luminaire within 10 feet (3.04m) of a pool, spa, or fountain. DO NOT operate luminaire with missing or damaged lens.

⚠ SAFETY WARNING: When relamping be sure electrical supply is OFF. Low voltage fixtures can become very hot depending on the lamp wattage used. Glass lenses and metal areas above & around the lamp can become hot enough to blister hands. Use discretion when touching fixture and be sure to allow fixture to cool before relamping. When relamping fixture avoid touching the lamp envelope with bare hands. If touching the lamp is necessary during installation, clean the envelope with alcohol and dry with a clean, soft cloth before turning ON. Contamination of the envelope may reduce the lamp performance. To maintain light efficiency and prevent fixture-overheating, glass lenses and enclosure must be kept clean and free of dirt, dust, leaves, trash (combustible materials) and mineral deposits from water. Particular care should be taken not to locate fixtures where small children can reach them if higher wattage's are used.

NOTE: Keep the lamp free from impact while burning, as this may deform the filament and shorten the lamp life. NOT INTENDED FOR INDOOR USE. All electrical work should be done by a qualified electrician.

KEEP THIS SHEET FOR FUTURE REFERENCE.

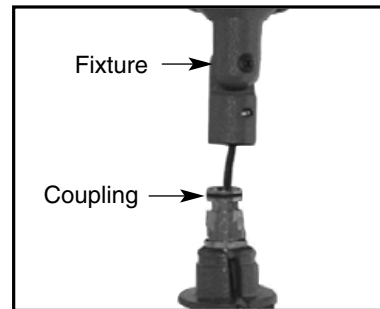
INSTALLATION INSTRUCTIONS: ⚠ Make certain the electrical supply is **OFF** before starting fixture installation.

Tools Required:

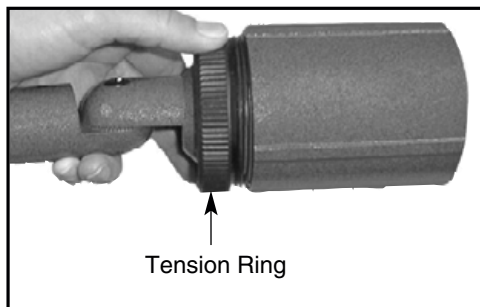
- Phillips Screwdriver
- Adjustable Wrench
- 1/8" Hex Wrench
- Silicone Grease



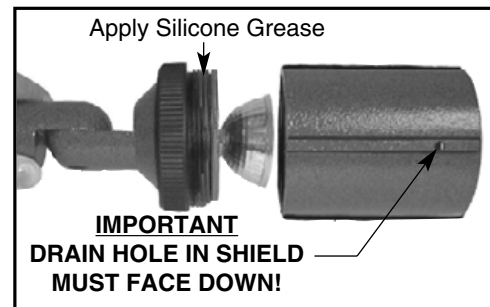
1. Tighten coupling onto mounting device.
(See KIM Installation Instructions for Low Voltage Mounting Options, part no. 95488.)



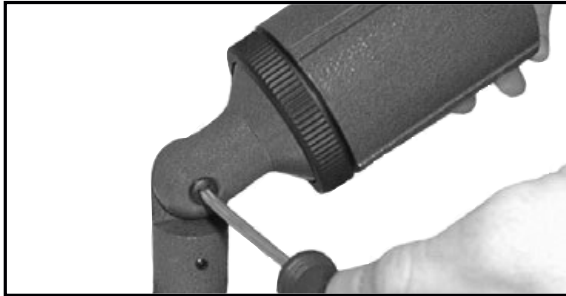
2. Attach fixture onto coupling. NOTE: KIM "KLV Mounting Options" can be installed before fixture is attached.



3. To install lamp, unscrew tension ring. NOTE: Lamp installation is not accessible by removing the glass lens.



4. Install lamp of type and wattage shown on fixture label. NOTE: Add silicone grease to screw threads each time fixture is relamped.

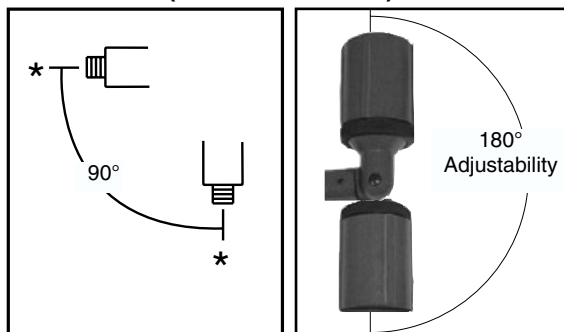


5. Adjust angle using swivel screw. Retighten after adjustments.



6. Loosen setscrew, adjust fixture rotation, and tighten setscrew. Connect fixture to main system cable with a KLV410 Sealed Connector. (See KLV410 Installation Instructions)

FIXTURE ORIENTATION (See *Note Below)



***Note:** Swivel stem must be installed with the mounting threads facing down-to-horizontal. Fixtures may not be installed with mounting threads facing upward unless shielded from rain or sprinklers.

LAMP INFORMATION

CAT. NO.	LAMP TYPE	MAX. WATTS
KLV201	MR16 Bi pin Halogen	75

Additional wire and connectors may be purchased from Kim Lighting:

- KLV427 #12-2 Cable
- KLV432 #8-2 Cable
- KLV410 Connector
- KLV411 Connector

For warranty see: currentlighting.com/kimlighting