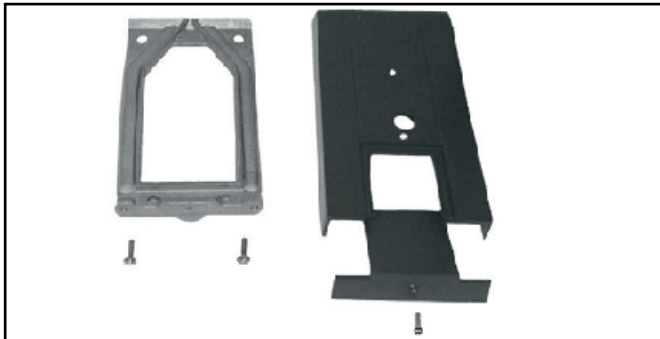


⚠ WARNING: Fixtures must be grounded in accordance with local codes or the National Electrical Code. Failure to do so may result in serious personal injury.

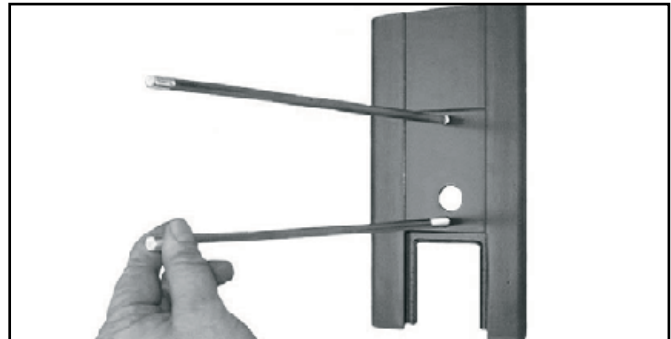
NOTE: All wiring must be done by a qualified electrician. KEEP THIS SHEET FOR FUTURE REFERENCE.

Tools Required (Mount Only) : Flat Blade Screwdriver 7/64" Hex Wrench 9/16" Open End Wrench

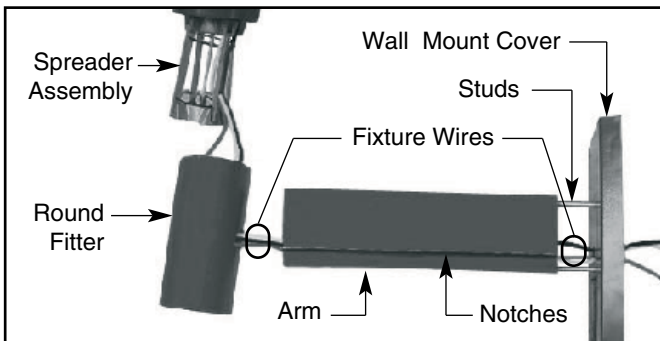
D - Bounce Wall Mount Instructions: **⚠** Make certain electrical supply is **OFF** before starting installation.



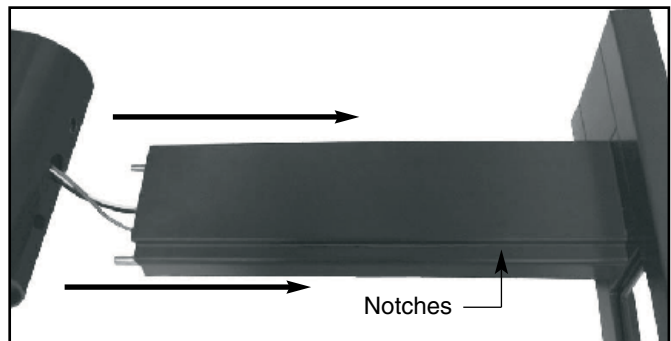
1. Remove wiring inspection cover from wall mount cover and wall mount cover plate.



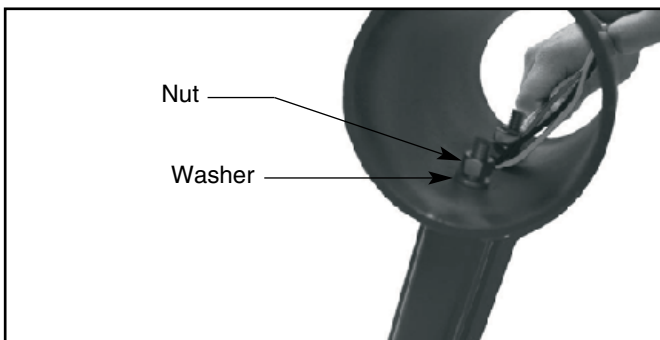
2. Thread long threaded end of studs into wall mount cover until thread bottoms out.



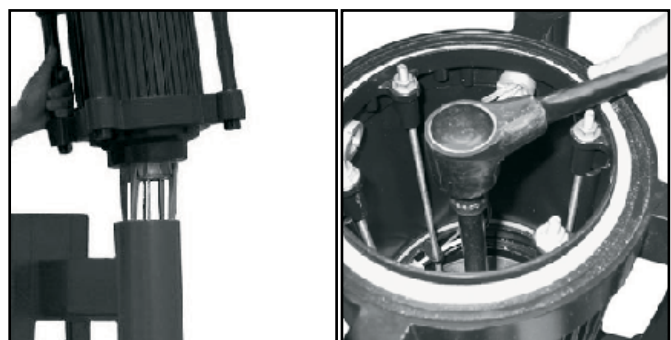
3. Feed supplied wiring through wiring hole in round fitter, arm, and wall mount cover.



4. Slide arm onto studs with notches down.



5. Install round fitter onto studs and secure with washers and nuts using a 9/16" open end wrench.



6. Install fixture onto round fitter. Orient fixture relative to mount to provide desired lighting distribution. Tighten securely using 9/16" socket, extension and ratchet.

For warranty see: currentlighting.com/kimlighting