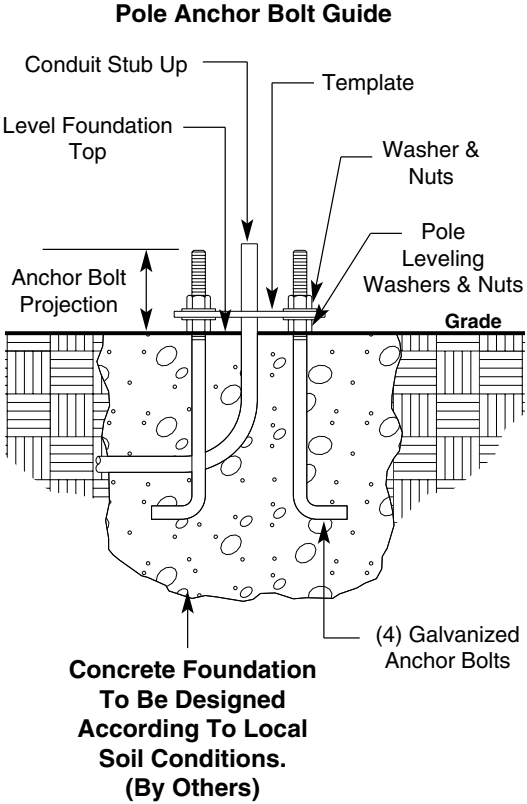


# Heritage Collection Poles & Anchor Bolt Installation Guide

**CAUTION:** Do not install poles without luminaires or strength guarantee is voided. Any unauthorized accessories secured to pole shall void strength guarantee.

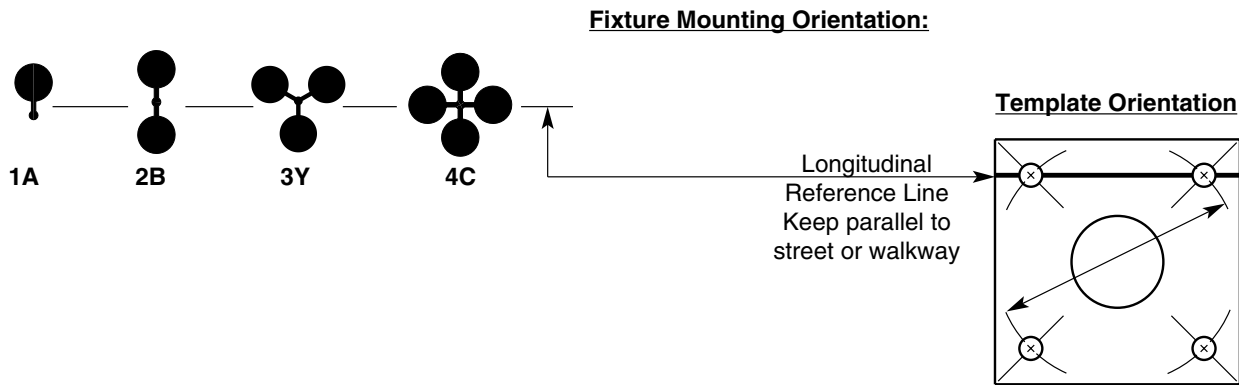
**MAINTENANCE:** A regularly scheduled maintenance program must be established to insure the protective paint coating is intact, corrosion or structural damage has not occurred, and anchor bolt nuts are tight. Failure to do so could lead to pole collapse and serious personal injury.

Pole Catalog Number	Template Number	Bolt Circle Dia.	Base Cover Size	Anchor Bolt Proj,	Anchor Bolt Size
HAS10-4188 HAS12-4188 HAS14-4188 HAS10-5188 HAS12-5188 HAS14-5188 HSAS10-534188 HSAS12-534188 HSAS14-534188 HSAF10-534188 HSAF12-534188 HSAF14-534188	96001	8-1/2"	12"	3-1/4"	3/4"x15"+3"
HAS16-4188 HAS16-5188 HAS20-5188 HSAS16-534188 HSAS20-534188 HSAF16-534188 HSAF20-534188	96001	8-1/2"	12"	3-1/4"	3/4"x30"+4"
HSAS14-64188 HSAF14-64188	96052	10-1/2"	14"	3-3/8"	3/4"x15"+3"
HAS10-6188 HAS12-6188 HAS14-6188 HAS16-6188 HAS20-6188 HAS25-6188 HAS25-6250 HAS30-6188 HAS30-6250 HAS30-6400 HSAS16-64188 HSAS20-64188 HSAS25-64188 HSAS25-64250 HSAS30-64250 HSAS30-64400 HSAF16-64188 HSAF20-64188 HSAF25-64188 HSAF25-64400 HSAF30-64188 HSAF30-64400	96052	10-1/2"	14"	3-3/8"	3/4"x30"+4"



**Note:** Pole base must have full contact with foundation by grouting. Provide a channel through the grout for drainage from the pole interior.

# Heritage Collection Anchor Bolt Installation Guide



## KIM LIGHTING LIMITED WARRANTY

When installed in accordance with Kim Installation Instructions and accepted trade practices, the following shall apply:

### **General Product Limited Warranty Coverage**

All material and component parts used in the manufacture of Kim Products, are warranted to be free from defects of material and/or workmanship for a period of 1 year from date of sale, with the following exceptions:

### **Auxiliary Equipment**

All auxiliary equipment (such as lamps, ballast, and transformers) provided by and/or included in Kim Products shall carry the component manufacturer's warranty.

### **Copper and Bronze Landscape Components**

Copper and Bronze Landscape fixture components shall be warranted against defects of material and/or workmanship, and failure due to corrosion, for a period of 25 years from date of sale.

### **Composite In-Grade Components**

Composite In-Grade fixture components installed below grade, shall be warranted against defects of material and/or workmanship, and failure due to corrosion, for a period of 7 years from date of sale.

### **Aluminum Landscape Components**

Aluminum Landscape fixture components not in direct contact with soil, shall be warranted against defects of material and/or workmanship for a period of 3 years from date of sale. Aluminum fixture components in direct contact with soil shall be warranted from defects of material and failure from corrosion for a period of 1 year from date of sale.

### **Limit of Liability and General Conditions**

Only products which are installed, used and maintained in accordance with applicable Kim instructions, specifications and accepted trade practices, are covered by the Kim Warranty. During the warranty period, with the proof of purchase, Kim will repair or replace with the same or similar product, at Kim's option, without charge. Labor costs are the owner's responsibility and are excluded from this warranty. This warranty is void if the product is modified, tampered with, misapplied, poorly installed, improperly maintained, or subjected to abnormal conditions.

Repair or replacement as provided under this warranty is the exclusive remedy of the purchaser. This warranty is in lieu of all other warranties, expressed or implied, including any implied warranty of fitness for a particular application. Kim Lighting shall not be liable to the purchaser for indirect or consequential damages.