



Post Top Tennon Adaptor (PTT Series)



BEFORE YOU BEGIN

Read these instructions completely and carefully.



WARNING/AVERTISSEMENT

RISK OF ELECTRIC SHOCK

- Turn power off before inspection, installation or removal.
- Properly ground electrical enclosure.
- Disconnect any exposed wiring from supply circuit before installation.

RISK OF FIRE

- Follow all NEC and local codes.
- Disconnect any exposed wiring from supply circuit before installation.

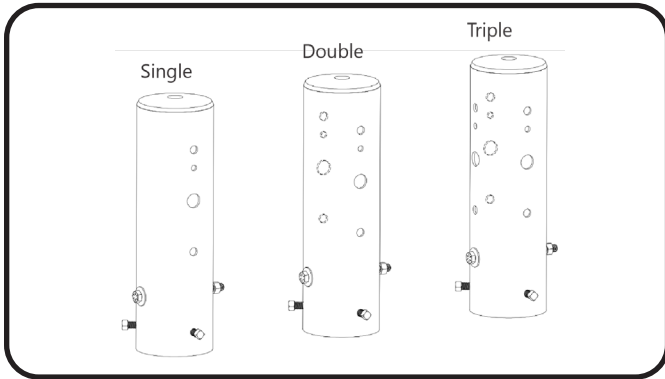
RISK OF INJURY OR DAMAGE

- Unit will fall if not installed properly. Follow installation instructions.
- Wear safety glasses and gloves during installation and servicing.

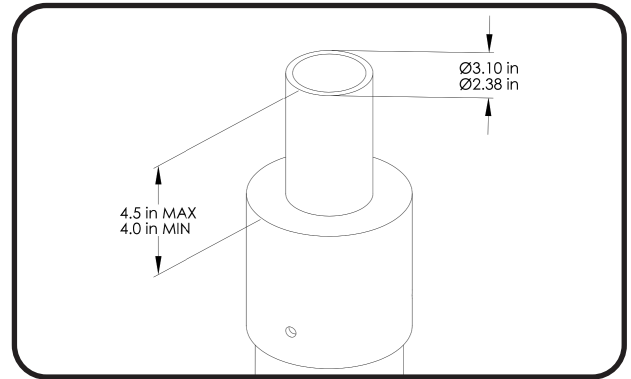
Save These Instructions

Use only in the manner intended by the manufacturer. If you have any questions, contact the manufacturer.

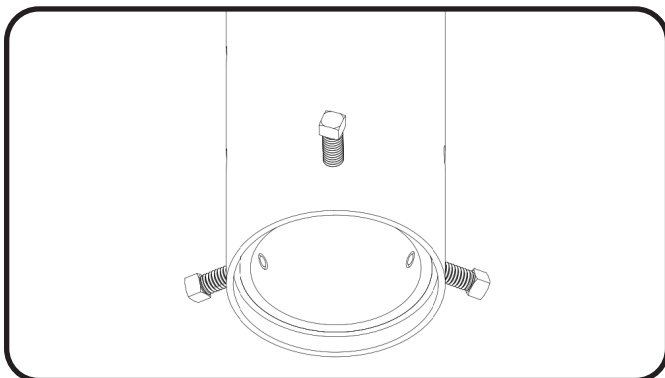
Mounting Steps



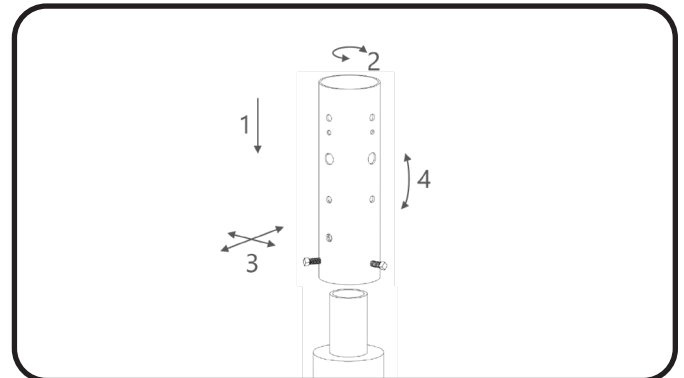
1 Verify the PTT supports the desired number of fixture positions



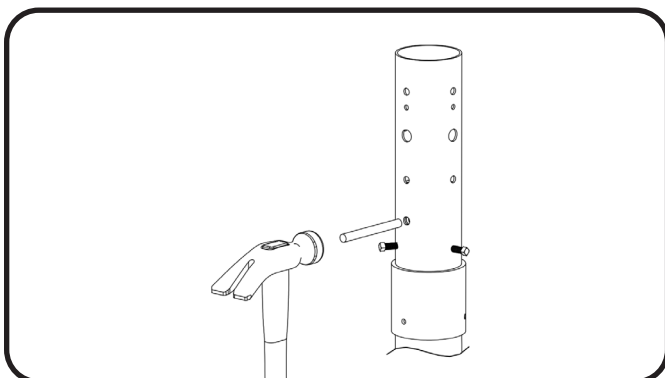
2 Verify that pole top tennon meets OD range limits and minimum length requirement



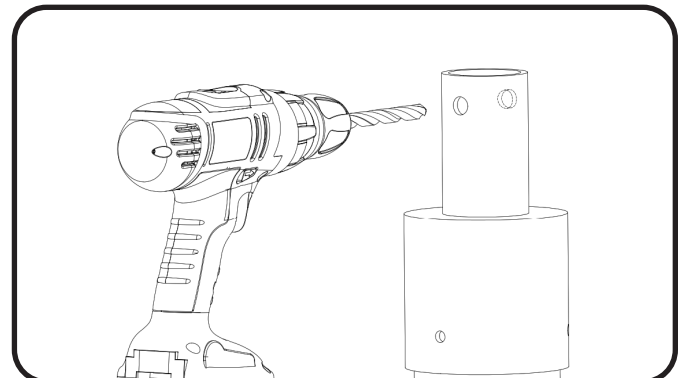
3 Insert three (3) set screws in lower holes and screw in until flush with lower ID of PTT



4 Slip the PTT on the tennon, orient fixture holes, then center, and plumb the PTT on the tennon and lightly tighten the set screws

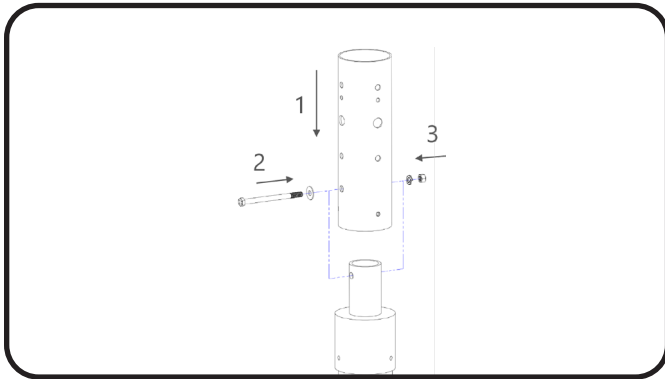


5 Transfer punch the thru bolt clearance hole positions to the tennon on each side, loosen the set screws and remove the PTT

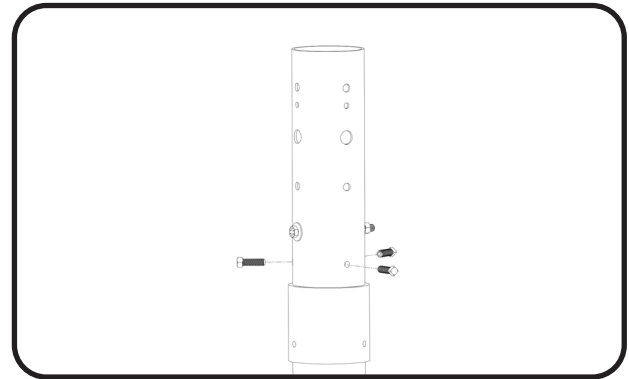


6 Center-drill each hole position and then drill a 0.5" diameter thru-hole at on each side of the tennon. Deburr the interior surface to avoid wire insulation damage

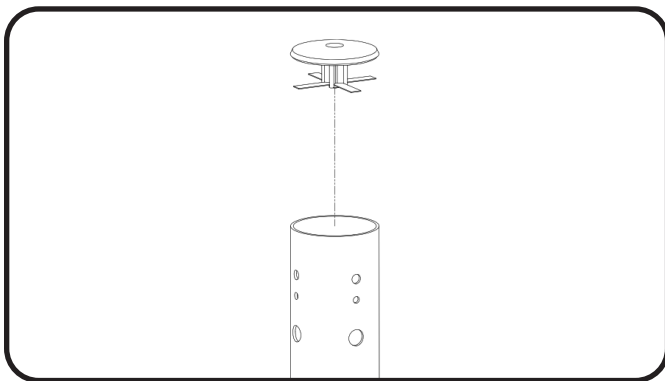
Mounting Steps - Continued



- 7 Place the PTT on the tennon and loosely fasten the thru-bolt, washers, and nut



- 8 Finger tighten the set screws, check alignment and then torque set screws and thru-bolt to 10-12 ft-lb



- 9 Insert cover cap after fixture installation and wiring is complete