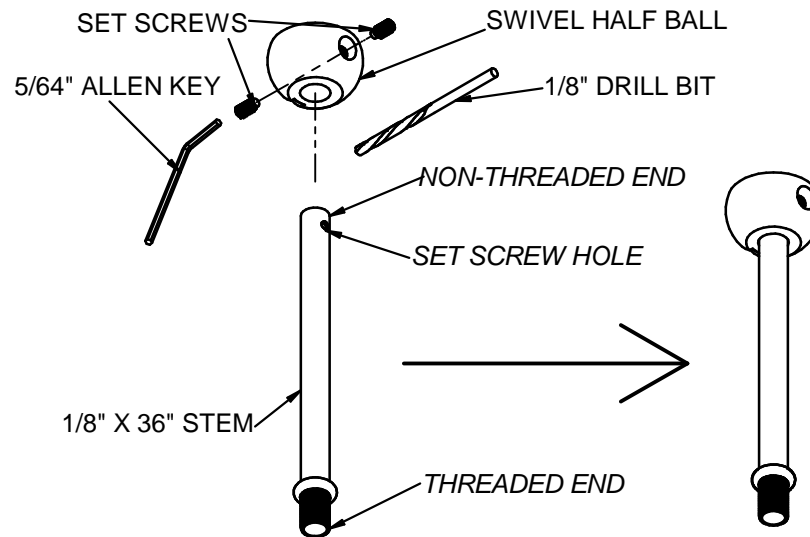
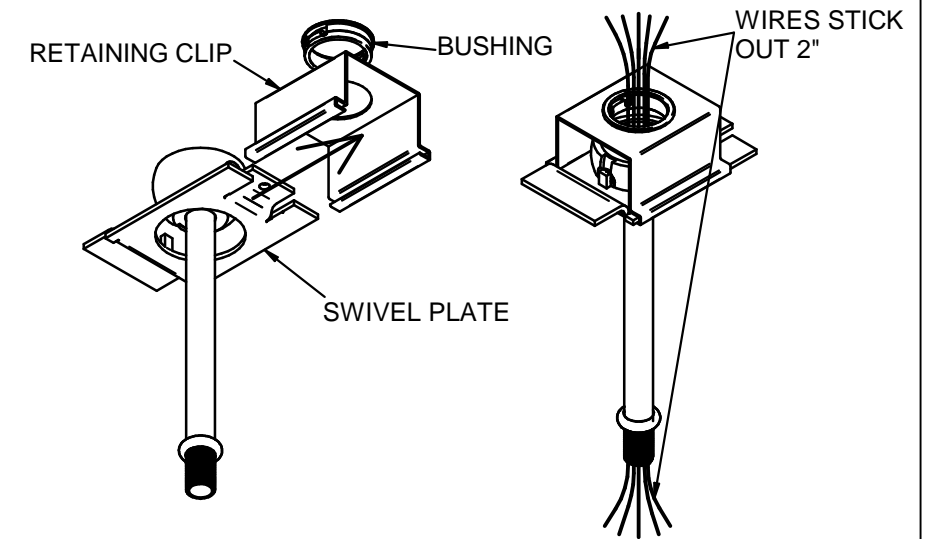


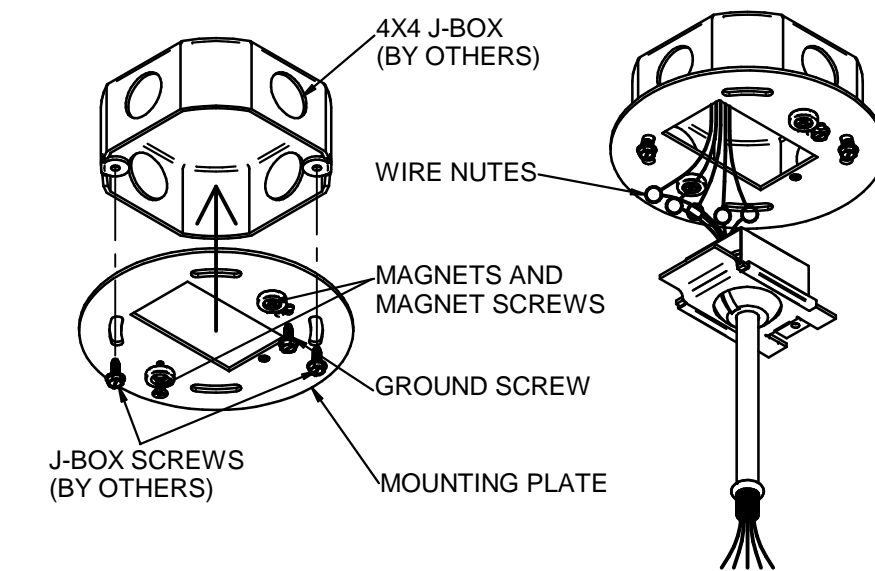
ALSO PROVIDED:
 -5x WIRE NUTS
 -5x WIRES (BLK, WHT, GRN, PUR, PNK)



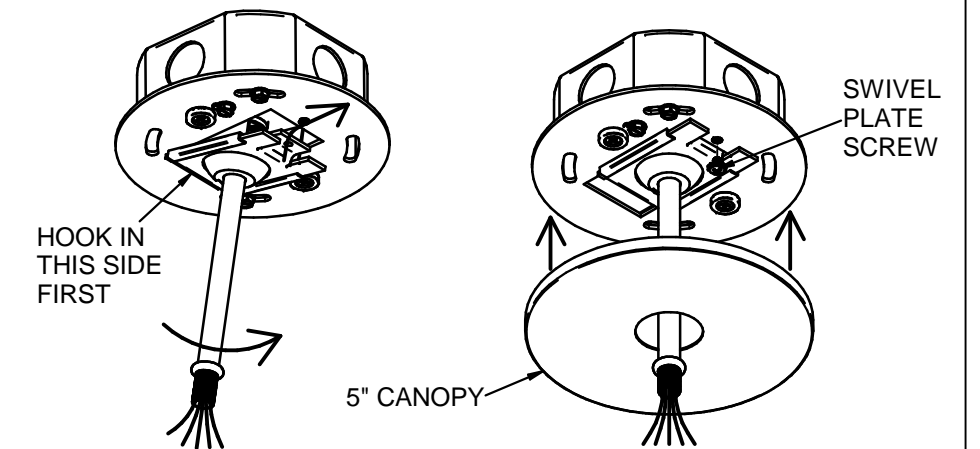
1. FOR 36" STEM LENGTH, SKIP TO STEP 3.
2. FOR STEM LENGTHS LESS THAN 36", CUT **NON-THREADED** END OF STEM TO DESIRED LENGTH AND DRILL HOLE THRU STEM 1/4" FROM CUT END USING PROVIDED 1/8" DRILL BIT.
3. WITH STEM AT DESIRED LENGTH, INSERT INTO SWIVEL HALF BALL AND SECURE USING BOTH SET SCREWS AS SHOWN



1. SLIDE STEM ASSEMBLY FROM STEP 1 THROUGH SWIVEL PLATE
2. SNAP BUSHING INTO RETAINING CLIP, THEN SLIDE RETAINING CLIP ONTO SWIVEL PLATE.
3. ROUTE WIRES UP THROUGH STEM. LEAVE 2" STICKING OUT EACH END.



1. MOUNT J-BOX (BY OTHERS) TO CEILING. FASTEN MOUNTING PLATE USING J-BOX SCREWS (BY OTHERS) TO J-BOX.
2. SECURE MAGNETS USING MAGNET SCREWS.
3. FASTEN GROUND SCREW AND ATTACH GROUND WIRE.
4. BRING STEM ASSEMBLY UP TO J-BOX TO MAKE WIRE CONNECTIONS USING WIRE NUTS. THEN TUCK INTO J-BOX.



1. SLIDE FLAT END OF SWIVEL PLATE INTO MOUNTING PLATE AT AN ANGLE, THEN ROTATE STRAIGHT AND SLIDE OVER UNTIL SWIVEL PLATE IS FULLY ENGAGED.
2. **SECURE THE ASSEMBLY USING SWIVEL PLATE SCREW.**
3. SLIDE 5" CANOPY OVER STEM AND BRING UP UNTIL IT ENGAGES WITH MAGNETS.
4. **SEE PRODUCT SPECIFIC INSTRUCTIONS FOR CONNECTION TO FIXTURE.** FASTEN STEM TO FIXTURE USING 1/8"IP NUT.

GENERAL NOTES:

1. ***REFER TO FIXTURE INSTRUCTIONS FOR STEM LOCATIONS AND PRODUCT SPECIFIC MOUNTING INSTRUCTIONS.**
2. 4X4 J-BOX AND J-BOX SCREWS SUPPLIED BY OTHERS.
3. FIXTURES IN ROWS MUST BE SUPPORTED BY A MINIMUM OF ONE STEM AT THE JUNCTION BOX OF EVERY TWO FIXTURES PLUS ONE AT EACH END OF ROW.
4. THESE FIXTURE SUPPORTS ARE TO BE USED ONLY IN CONJUNCTION WITH CURRENT LIGHTING PRODUCTS FOR WHICH THEY WERE FURNISHED. DO NOT USE THEM FOR SUPPORT OF OTHER ITEMS OR IN ANY FASHION CONTRARY TO THIS INSTRUCTION SHEET.

TOOLS REQUIRED

- PHILLIPS SCREWDRIVER
- DRILL
- WIRE STRIPPERS
- ADJUSTABLE WRENCH/PLIERS

SUPPLIED BY INSTALLER

- 4x4 J-BOX
- 2x J-BOX SCREWS