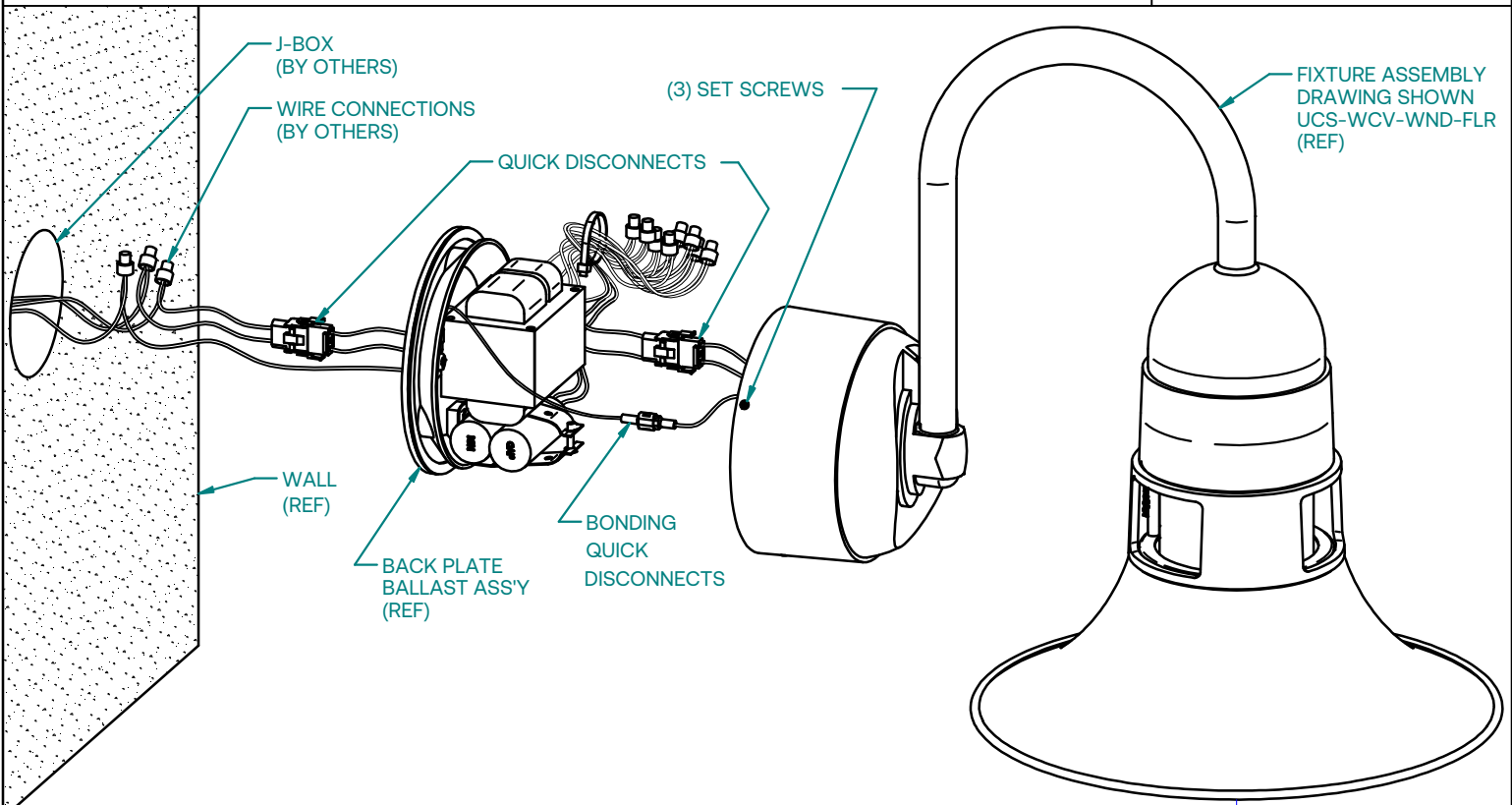


# INSTALLATION INSTRUCTIONS

CATALOG NUMBER

UCS-WCV/WST



## FIXTURE INSTALLATION:

1. **TURN POWER OFF.**
2. MAKE WIRE CONNECTIONS FROM INCOMING SUPPLY TO BACK PLATE BALLAST ASSEMBLY. **NOTE: ASSEMBLY MUST BE GROUNDED TO INCOMING EQUIPMENT GROUND SUPPLY.** PUSH WIRE LEADS AND
3. Q-DISCONNECTS INTO J-BOX AND SECURE BACK PLATE TO MOUNTING SURFACE. **SEE BACK PLATE ORIENTATION (HARDWARE BY OTHERS).** **NOTE: NOT FOR J-BOX MOUNTING!**
4. **SILICONE ALL AROUND BACK PLATE WHERE IT MEETS THE MOUNTING SURFACE.**
5. CONNECT QUICK DISCONNECTS FROM FIXTURE ASSEMBLY TO BACK PLATE BALLAST ASSEMBLY AS SHOWN.
6. PLACE FIXTURE ASSEMBLY OVER BACK PLATE BALLAST ASSEMBLY AND SECURE IN PLACE WITH (3) SET SCREWS.
7. INSTALLATION COMPLETE.

## LAMPING/RELAMPING:

1. **TURN OFF POWER.**
2. ROTATE OPAL GLASS LENS COUNTER CLOCKWISE.
3. INSTALL APPROPRIATE LAMP/REPLACE LAMP WITH SAME WATTAGE (BY OTHERS).
4. INSTALL OPAL GLASS LENS BY ROTATING CLOCKWISE UNTIL IT STOP. **NOTE: DO NOT OVER TIGHTEN.**
5. RESTORE POWER AND CHECK FOR OPERATION.
6. INSTALLATION COMPLETE.

## BALLAST SERVICING:

1. **TURN OFF POWER.**
2. LOOSEN (3) SET SCREWS TO ACCESS BALLAST COMPARTMENT.
3. DISCONNECT WIRES AND REMOVE FIXTURE ASSEMBLY FOR BALLAST SERVICING.
4. RETURN FIXTURE ASSEMBLY TO ORIGINAL POSITION RECONNECT WIRES AND SECURE WITH (3) SET SCREWS.
5. RESTORE POWER AND CHECK FOR OPERATION.
6. INSTALLATION COMPLETE.

