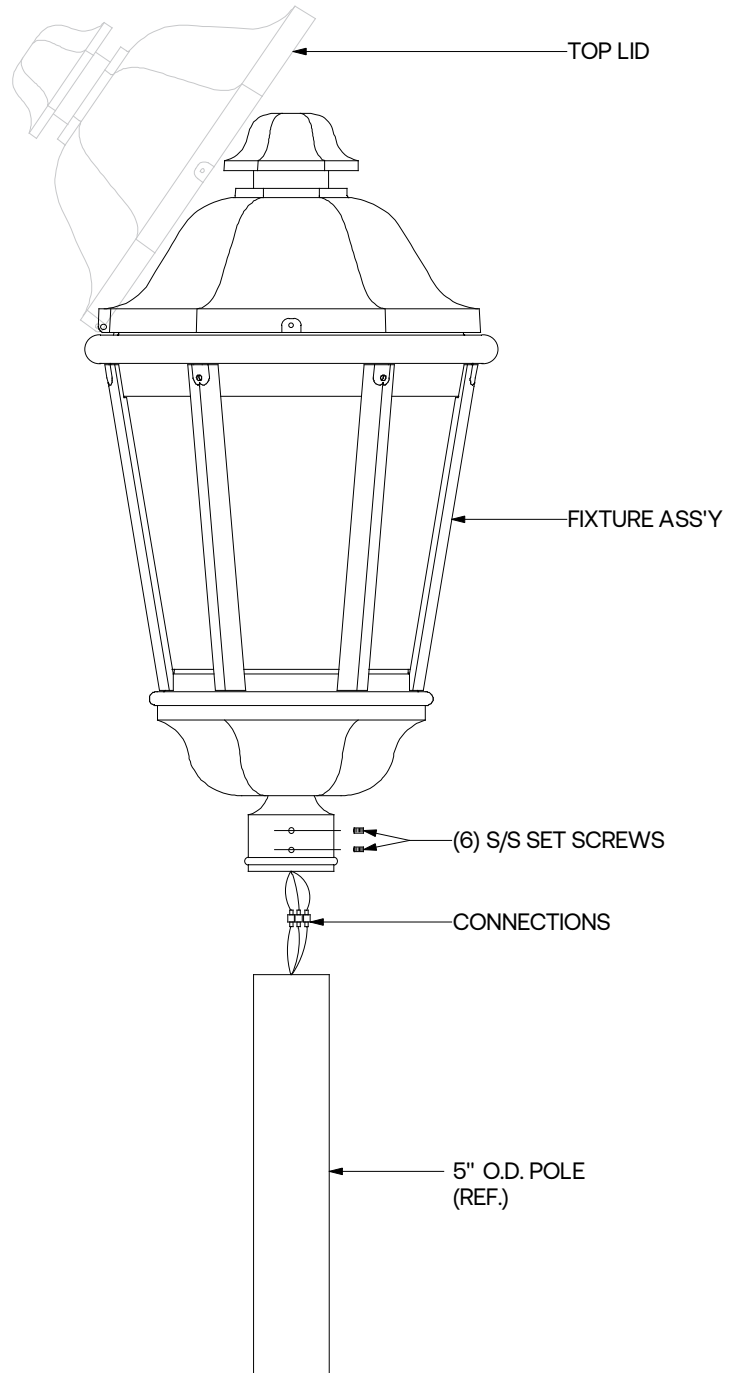


AAL Towne Commons® Post Top Installation Instructions



WARNING: Fixtures must be grounded in accordance with local codes or the National Electrical Code. Failure to do so may result in serious personal injury.

MAINTENANCE: For optimum performance, a regularly scheduled maintenance program should be established to retain optimum light output and reduce heat retention.



INSTALLATION INSTRUCTIONS:

1. Turn off power.
2. Make wire connections from fixture to pole as shown. (White to white, black to black, and green to green). Push wires and connectors into pole.
3. Make wire connections from incoming supply to fixture as shown.
(Note: assembly must be grounded to incoming equipment ground supply.
4. Secure to pole with (6) 1/4-20 S/S set screws.
5. Open top lid. Install req'd lamp, close lid and secure.