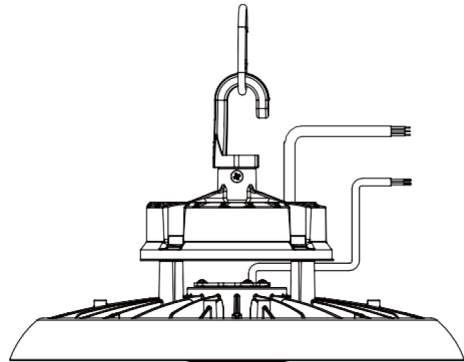


# Albeo® LED Round High Bay IP65 Luminaire PRC Series



## BEFORE YOU BEGIN

Read these instructions completely and carefully.



## WARNING/ADVERTISSEMENT

### RISK OF ELECTRIC SHOCK

- Turn power off before inspection, installation or removal.
- Properly ground electrical enclosure.

### RISK OF FIRE

- Follow all NEC and local codes.
- Use only UL or IEC approved wire for input/output connections. Minimum size 18 AWG wire.

### RISQUES DE DÉCHARGES ÉLECTRIQUES

- Coupez l'alimentation avant d'inspecter, installer ou déplacer le luminaire.
- Assurez-vous de correctement mettre à la terre le boîtier d'alimentation électrique.

### RISQUES D'INCENDIE

- Respectez tous les codes NEC et codes locaux.
- N'utilisez que des fils approuvés par UL ou IEC pour les entrées/sorties de connexion. Taille minimum 18 AWG.

## Save These Instructions

Use only in the manner intended by the manufacturer. If you have any questions, contact the manufacturer.

This device complies with Part 15 of the FCC Rules. Operation is subject to the following two conditions: (1) This device may not cause harmful interference, and (2) this device must accept any interference received, including interference that may cause undesired operation.  
CAN ICES-005 (B) / NMB-005 (B)

**Note:** This equipment has been tested and found to comply with the limits for a Class A digital device, pursuant to part 15 of the FCC Rules. These limits are designed to provide reasonable protection against harmful interference when the equipment is operated in a commercial environment. This equipment generates, uses, and can radiate radio frequency energy and, if not installed and used in accordance with the instruction manual, may cause harmful interference to radio communications. Operation of this equipment in a residential area is likely to cause harmful interference in which case the user will be required to correct the interference at his own expense.

IP Rating: IP65, can be used in wet conditions.  
Do not use fixture in any corrosive environments.  
Do not operate outside rated fixture voltage.

## Prepare Electrical Wiring



### Electrical Requirements

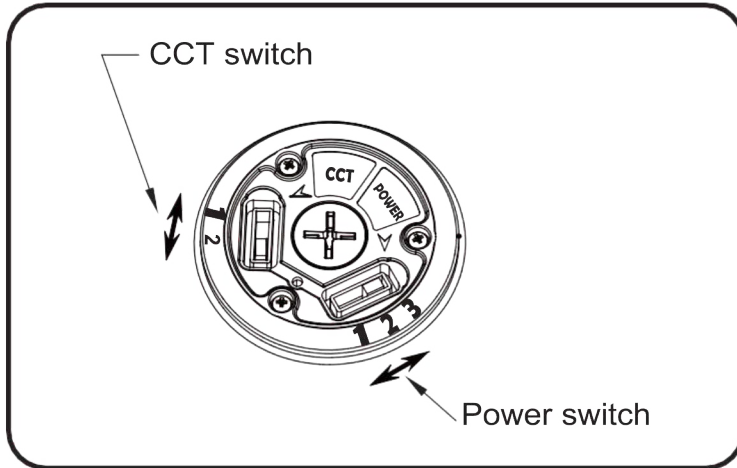
- The LED luminaire must be connected to the main supply according to its ratings on the product label.
- Class 1 wiring should be in accordance with NEC.



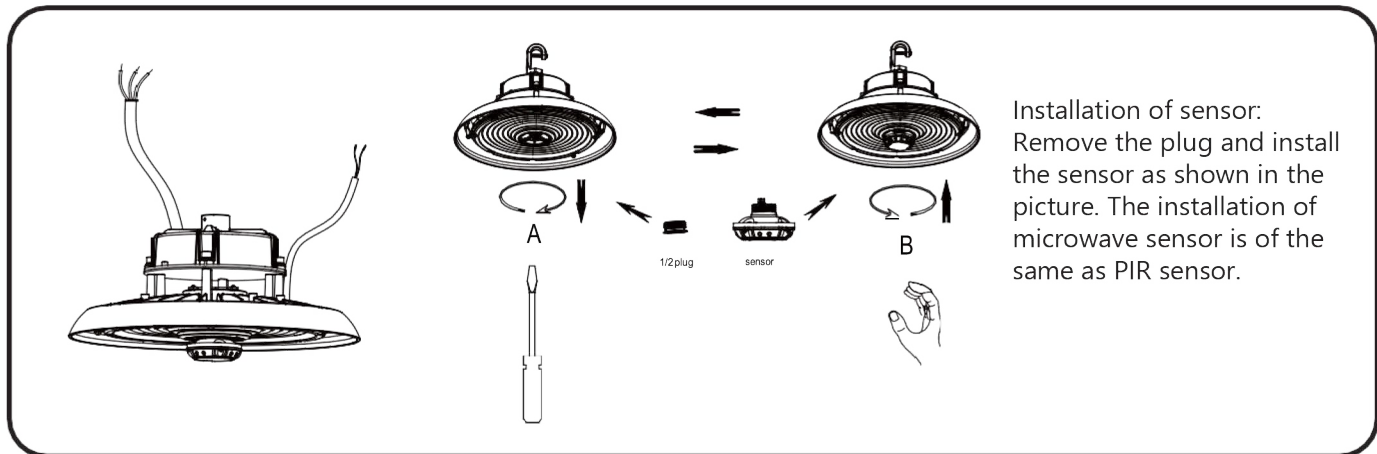
### Grounding Instructions

- The grounding and bonding of the overall system shall be done in accordance with the local electric code of the country where the luminaire is installed.

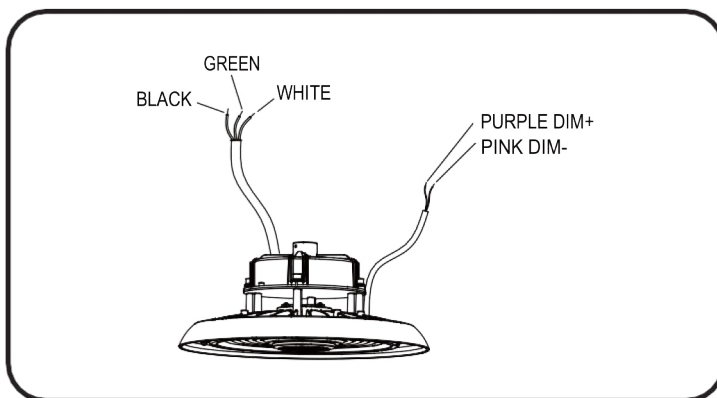
- ① Choose wattage and CCT by switching the switches.



- ② Option: Sensor or 0-10V dimming.



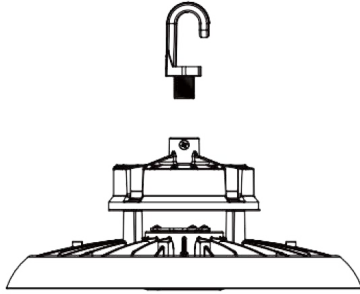
Option A: Sensor usage.



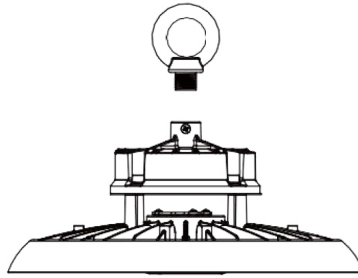
Option B: 0-10V dimming. Remove the isolate cover on dimming wires (purple and pink).

**Warning: Do Not install any sensor.**

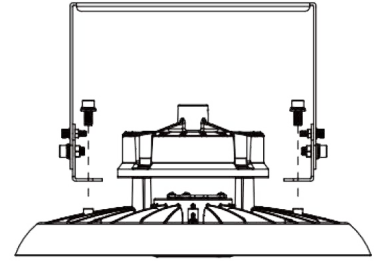
3 Install fixture using one of the three methods shown below.



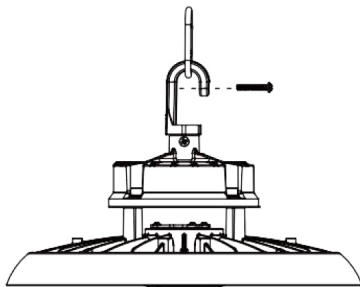
Screw in hook and tighten lock screw. Base is 1/2" NPT



Screw in ring and tighten lock screw Base is 1/2" NPT

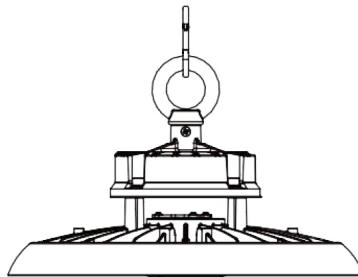


Tighten screw in fixture



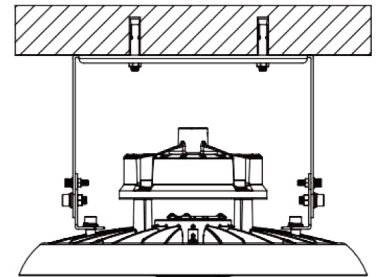
Hang fixture and lock hook screw to secure

A



Hang fixture

B

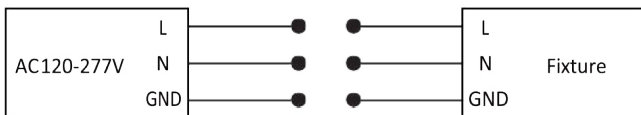


Hang fixture to wall and tighten screw.

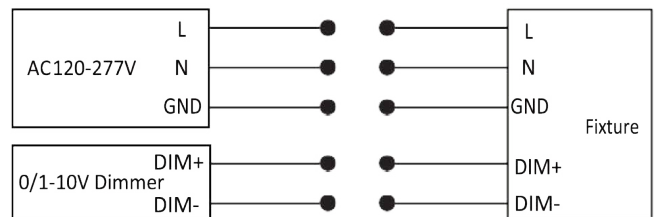
C

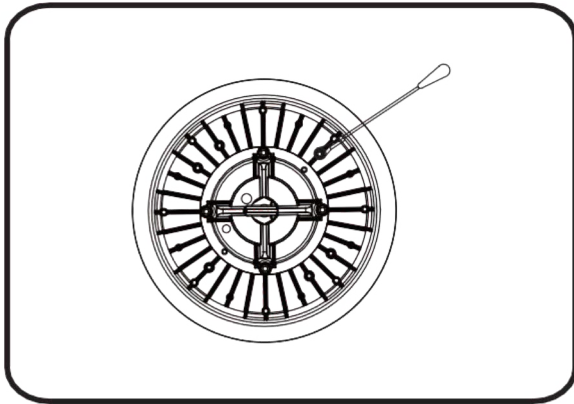
4 Connect wires as shown below in the diagram.

Without dimming



0/1-10V dimming

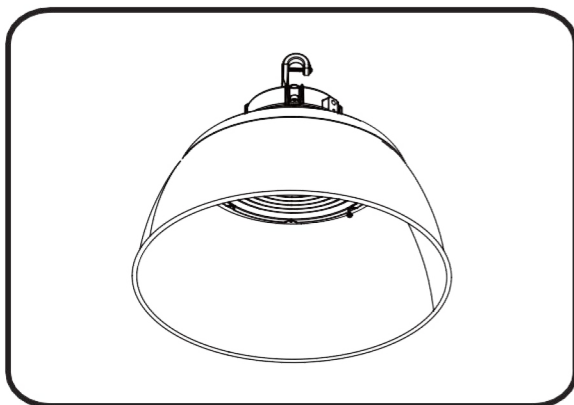




5 Optional: Secure tether to the fixture.  
**Warning: Safety tether should be used only once!**



6 Optional: Secure PC refractor to the fixture.



7 Optional: Secure aluminum refractor to the fixture.



8 Optional: Secure wire ground guard to the fixture.

