

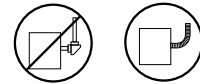
# CELC Surface

EDGE-LITE COMBINATION EXIT AND EMERGENCY LIGHT

## IMPORTANT SAFEGUARDS READ AND FOLLOW ALL SAFETY INSTRUCTIONS

1. Review the diagrams thoroughly before beginning.
2. All electrical connections must be in accordance with local codes, ordinances, and the National Electric code.
3. Disconnect power at fuse or circuit breaker before installing or servicing.
4. Do not use outdoors.
5. Do not mount in hazardous locations, or near gas or electric heaters.
6. Do not let power cords touch hot surface.
7. Equipment should be mounted in locations and at heights where it will not be subjected to tampering by unauthorized personnel.
8. The use of accessory equipment not recommended by the manufacturer may cause an unsafe condition.
9. Do not use this equipment for other than intended use.
10. All servicing should be performed by qualified personnel only.
11. Allow battery to charge for 24 hours before first use.

**Use Flexible Conduit Only**

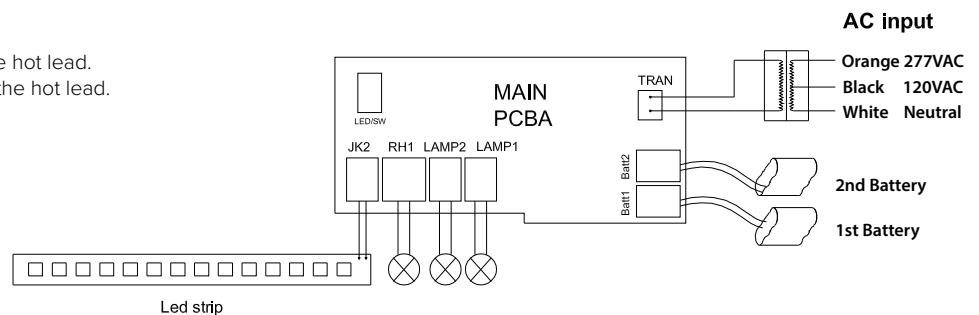


## SAVE THESE INSTRUCTIONS

### WIRING DIAGRAM (SEE FIG 1)

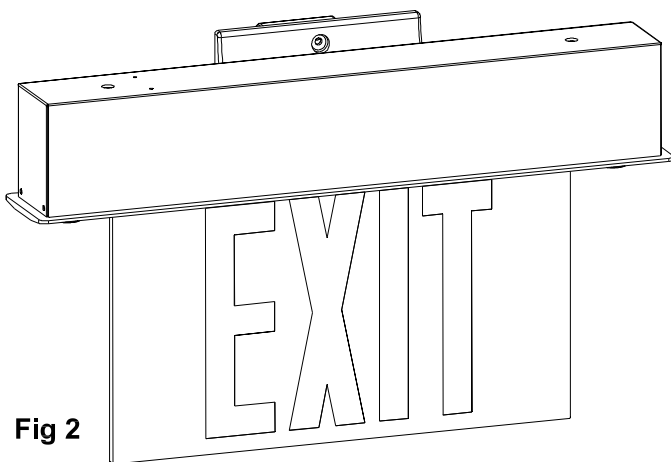
#### AC Wiring

Connect the white wire to neutral.  
If using 120V, connect the black wire to the hot lead.  
If using 277V, connect the orange wire to the hot lead.  
Cap the unused lead.



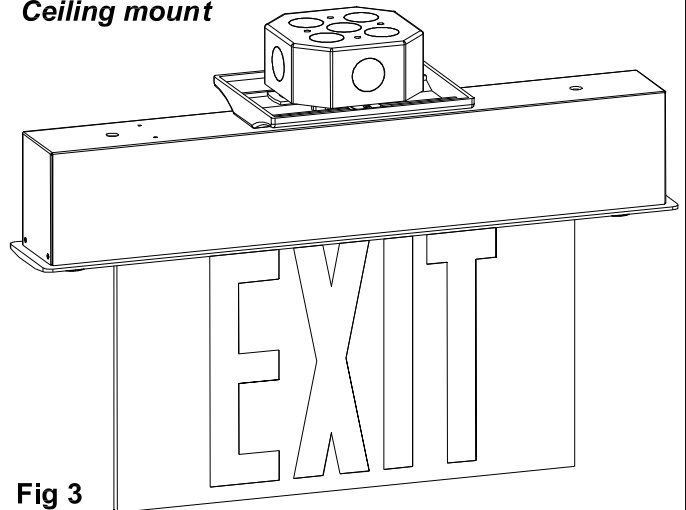
**Fig 1**

#### Wall mount



**Fig 2**

#### Ceiling mount



**Fig 3**

## CELC Surface

EDGE-LIT COMBINATION EXIT AND EMERGENCY LIGHT

### WALL MOUNT INSTRUCTIONS (SEE FIG 4)

**NOTICE: MUST WEAR GLOVES.**

1. Knockout side center hole, insert plastic washer, assembly canopy. Use M4\*8mm screws
2. Separate trim plate from the housing to connect battery connectors.
3. Feed AC supply wires through the center hole.
4. Reassemble trim plate. Use M3\*15mm screws.
5. Attach crossbar to junction box, set the longer blade to crossbar touching the J-Box.
6. Route the proper wires through mounting hole out of housing, make electrical connections inside the J-Box as wiring diagram.
7. Push excess wire into J-Box, use screws to tighten canopy to crossbar so that canopy is securely fastened and tight against the wall.
8. Peel off protection film from EXIT panel  
Connect light bar connector, assemble panel module to trim plate, adjust position of lamp heads as needed.
9. Determine direction of chevrons as needed.

**NOTICE: MUST WEAR GLOVES.**

### CEILING MOUNT INSTRUCTIONS (SEE FIG 5)

**NOTICE: MUST WEAR GLOVES.**

1. Knockout side center hole, insert plastic washer, assembly canopy use M4\*8mm screws.
2. Separate trim plate from the housing to connect battery connectors.
3. Feed AC supply wires through the center hole.
4. Assemble trim plate back use M3\*15mm screws.
5. Attach crossbar to junction box, set the longer blade to crossbar touching the J-Box.
6. Route the proper wires through mounting hole out of housing, make electrical connections inside the J-Box as wiring diagram.
7. Push excess wire into J-Box, use screws to tighten canopy to crossbar so that canopy is securely fastened and tight against the wall.
8. Peel off protection film from EXIT panel  
Connect light bar connector, assemble panel module to trim plate, adjust position of lamp heads as need.
9. Determine direction of chevrons as needed

**NOTICE: MUST WEAR GLOVES.**

### CONNECTING REMOTE HEADS (SEE FIG. 6)

Using 1 pc battery, no remote capability.

Using 2pcs battery with remote capability.

Connect remote heads extension wire to remote wire, yellow is positive (+), purple is negative (-), connect wires using wire nuts.

Remote capability; 3,6V 3W

