

NOTE: Components shown in images are representative only and may vary based on the configuration ordered.

### CAUTION

Read instructions carefully and turn electricity off at main circuit breaker panel before beginning installation.

#### WARNING

If any special control devices are used with this luminaire, follow the instructions carefully to assure full compliance with NEC requirements. If there are any questions, contact a qualified electrical contractor.

#### WARNING

This product must be installed in accordance with the applicable installation code by a person familiar with the construction and operation of the product and the hazards involved.

#### WARNING

This product contains chemicals known to the State of California to cause cancer, birth defects and/or other reproductive harm. Thoroughly wash hands after installing, handling, cleaning, or otherwise touching this product.

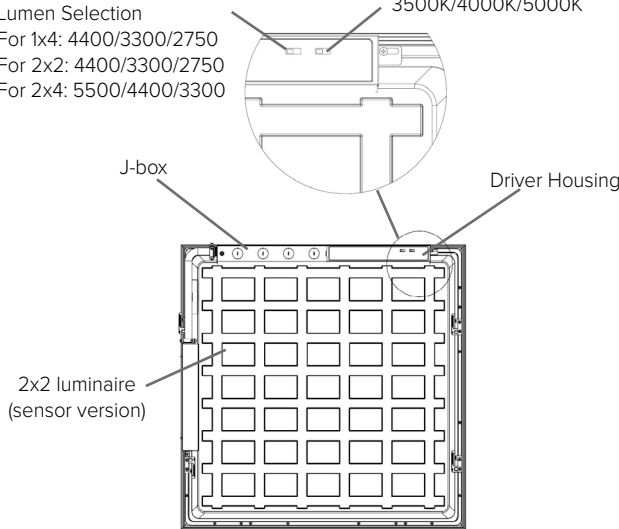
## INSTALLATION METHOD: RECESSED MOUNTING

### STEP 1

Different lumen and correlated color temperature levels can be achieved by setting the switch on the driver cover to different positions.

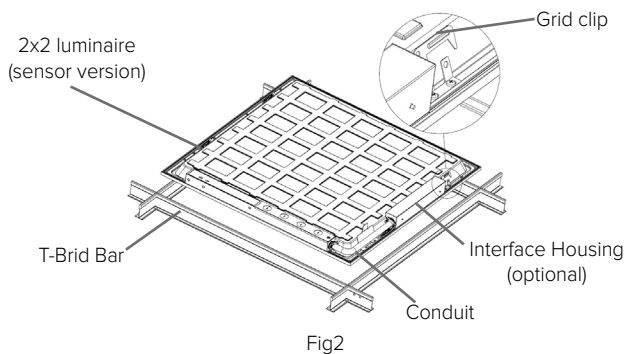
Lumen Selection  
 For 1x4: 4400/3300/2750  
 For 2x2: 4400/3300/2750  
 For 2x4: 5500/4400/3300

CCT selection  
 3500K/4000K/5000K



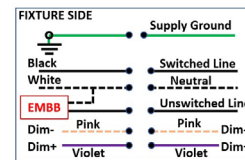
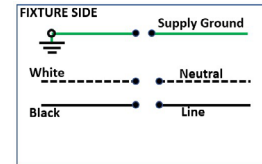
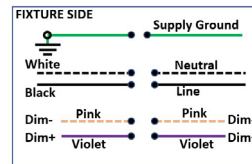
### STEP 2

Raise unit into ceiling. Cross tees may need to be trimmed when fixtures are installed in certain applications. For instance, when installing a 2x2 ceiling grid the cross tees would need to be trimmed or a zero-clearance cross tee utilized. See fig2.



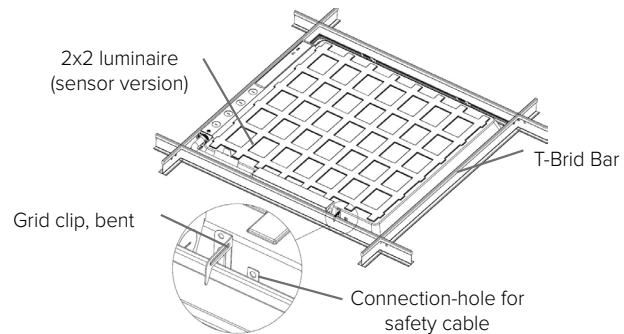
### STEP 3

Open access plate. Open knockouts to connect power with appropriately sized electrical fittings. Make wiring connections according to fig3.



### STEP 4

Bend Grid clips into position. Support the fixture to the building structure by safety cable (not provided) through the connection holes if need.



### For sensor version only:

Every luminaire in sensor version has an imbedded wireless sensor (WIZ20). Luminaire can be set-up (or "commissioned") and controlled via the Daintree EZ Connect app, which can be downloaded on the Apple® App Store. For information on commissioning devices, visit [www.gecurrent.com/Daintree](http://www.gecurrent.com/Daintree).

Color	Style	Description
Green	Single Flash	Occupancy detected. This feature can be optionally disabled if not desired.
Green/Red	Solid On	Device is initializing. Occurs for a short period after power has been applied during boot up.
Green/Red	Flashing	Device is "identifying" itself in response to a network command to do so
Red	Rapid Flashing	Searching for a network. Also used when receiving firmware updates from the Daintree® EZ Connect app.
Red	Slow Flashing	Has joined a network but was not commissioned. Add the device to a zone to resolve
Red	Solid On	An error condition was detected. Power cycling or resetting the device is recommended.