

## CFP-LSCS

EDGE-LIT FLAT PANEL WITH SWITCHABLE LUMEN AND SWITCHABLE CCT,  
EMERGENCY BATTERY PACK INSTALLED, 1400 LUMENS

NOTE: Components shown in images are representative only and may vary based on the configuration ordered.

### IMPORTANT SAFEGUARDS:

When using electrical equipment, basic safety precautions should always be followed including the following:

#### READ AND FOLLOW ALL SAFETY INSTRUCTIONS.

- a. Do not use outdoors (this item may be omitted if the product is suitable for outdoor use).
- b. Do not mount near gas or electric heaters.
- c. Equipment should be mounted in locations and at heights where it will not readily be subjected to tampering by unauthorized personnel.
- d. The use of accessory equipment not recommended by the manufacturer may cause an unsafe condition.
- e. Do not use this equipment for other than intended use.

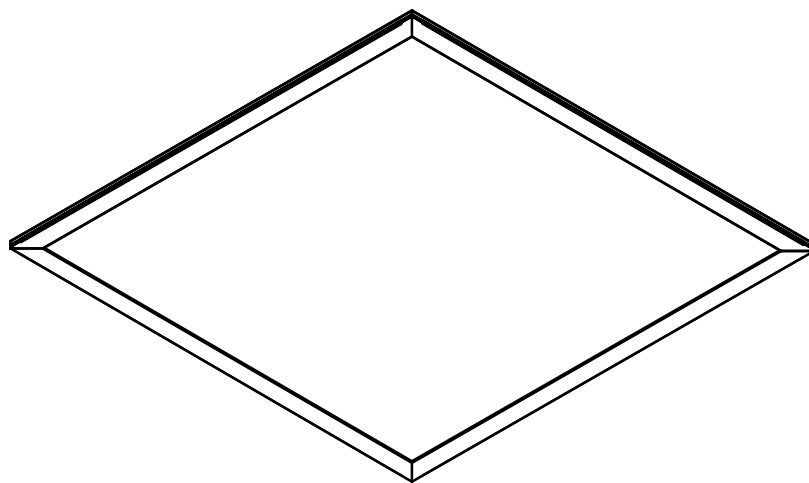
#### WARNINGS:

6. If any special control devices are used with this luminaire, follow the instructions carefully to assure full compliance with NEC requirements. If there are any questions, contact a qualified electrical contractor.
7. This product contains chemicals known to the state of California to cause cancer, birth defects and/or other reproductive harm. Thoroughly wash hands after installing, handling, cleaning, or otherwise touching this product.
8. This product must be installed in accordance with the applicable installation code by a person familiar with the construction and operation of the product and the hazards involved.
9. Contact Columbia Lighting for information and direction before relamping or replacing this light fixture.
10. Disconnect power before installing or servicing. Observe all precautions usually followed when dealing with high voltage equipment when installing or servicing this light fixture.
11. Protect all wiring connections with approved insulators rated 600V / 90°C (by others).
12. Selected fixture voltage must match supply line voltage.

#### MAXIMUM MOUNTING HEIGHT FOR THIS PRODUCT IS 22-FT (6.7M)

#### SAVE THESE INSTRUCTIONS FOR FUTURE REFERENCE

Upon receipt of this fixture, thoroughly inspect it for any damage. If any is found, the carrier should be notified and held accountable.



CFP-LSCS

EDGE-LIT FLAT PANEL WITH SWITCHABLE LUMEN AND SWITCHABLE CCT,  
EMERGENCY BATTERY PACK INSTALLED, 1400 LUMENS

NOTE: Components shown in images are representative only and may vary based on the configuration ordered.

CFP-LSCS+ELL14 FIXTURE LAYOUT – DIMENSIONAL

NOTE: Labeling position may vary.

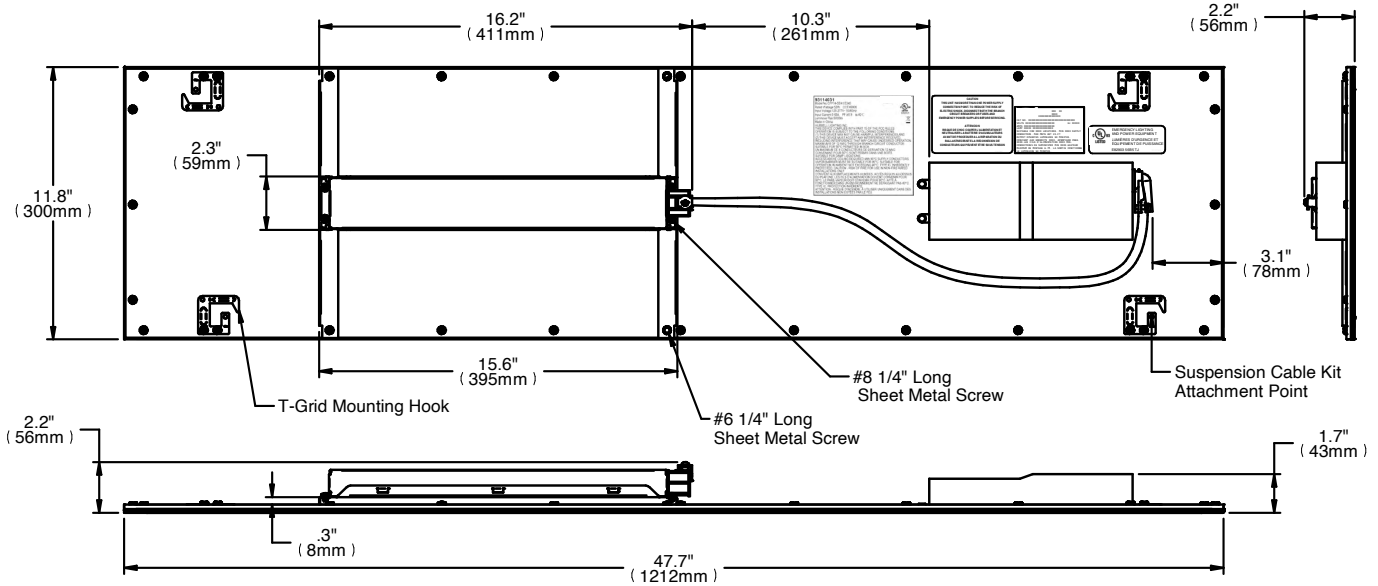


FIGURE 1  
1x4 Fixture Layout

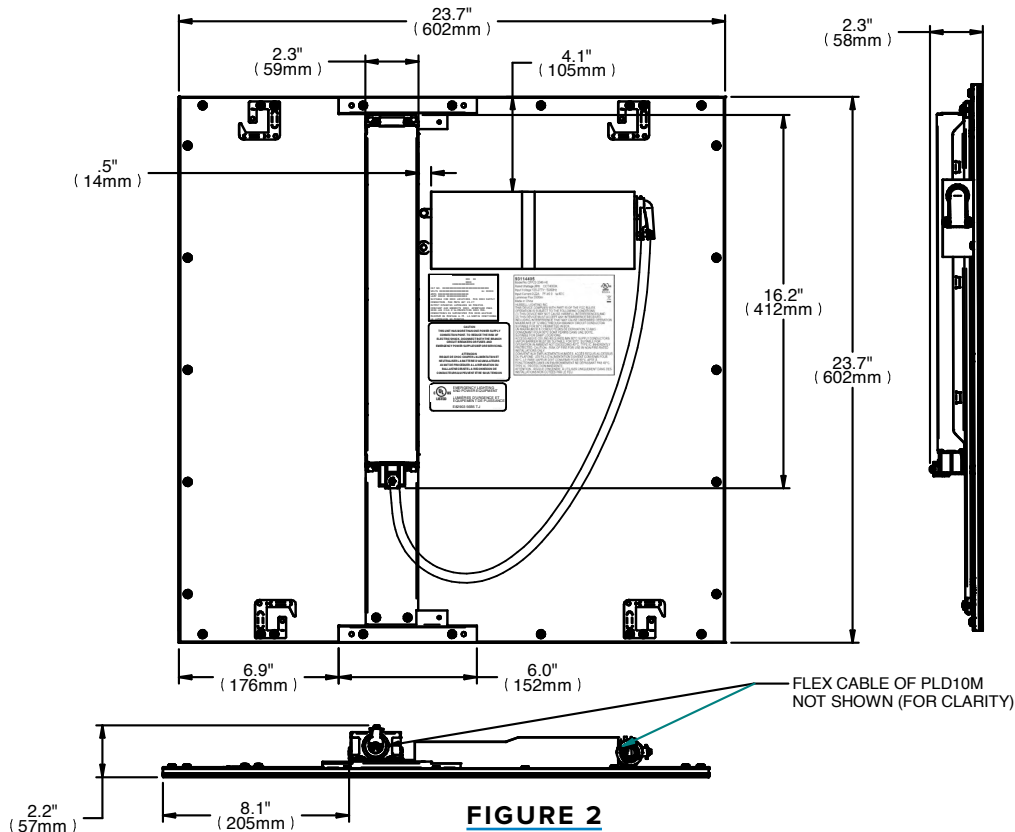


FIGURE 2  
2x2 Fixture Layout

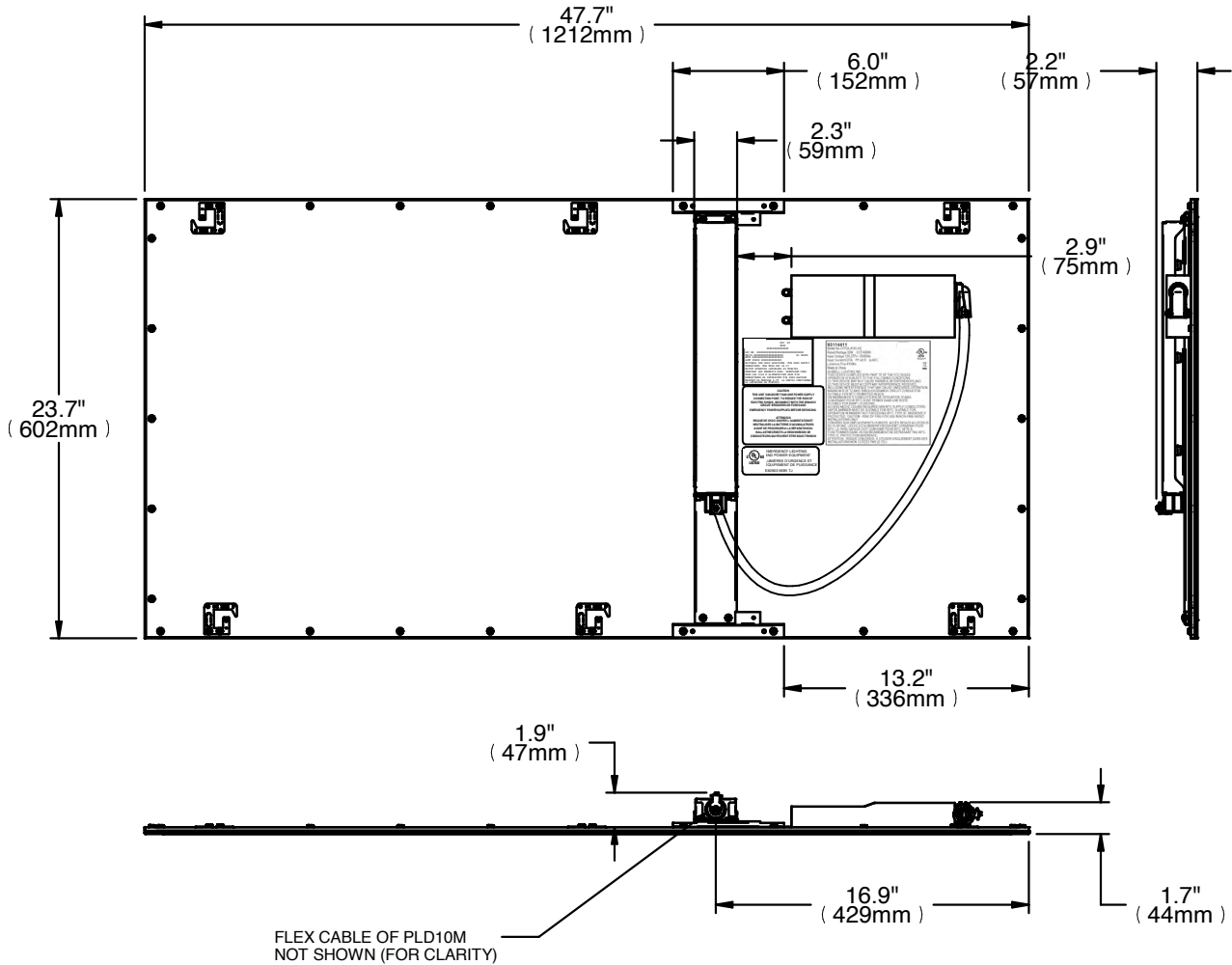
CFP-LSCS

EDGE-LIT FLAT PANEL WITH SWITCHABLE LUMEN AND SWITCHABLE CCT,  
EMERGENCY BATTERY PACK INSTALLED, 1400 LUMENS

NOTE: Components shown in images are representative only and may vary based on the configuration ordered.

CFP-LSCS+ELL14 FIXTURE LAYOUT – DIMENSIONAL

NOTE: Labeling position may vary.



**FIGURE 3**  
2x4 Fixture Layout

**CFP-LSCS**

EDGE-LIT FLAT PANEL WITH SWITCHABLE LUMEN AND SWITCHABLE CCT,  
EMERGENCY BATTERY PACK INSTALLED, 1400 LUMENS

NOTE: Components shown in images are representative only and may vary based on the configuration ordered.

**CAUTION**

Read instructions carefully and turn electricity off at main circuit breaker panel before beginning installation.

**WARNING**

If any special control devices are used with this luminaire, follow the instructions carefully to assure full compliance with NEC requirements. If there are any questions, contact a qualified electrical contractor.

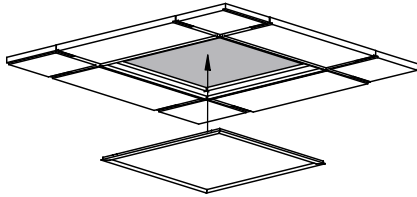
**WARNING**

This product contains chemicals known to the State of California to cause cancer, birth defects and/or other reproductive harm. Thoroughly wash hands after installing, handling, cleaning, or otherwise touching this product.

**INSTALLATION METHOD 1: RECESSED MOUNTING**

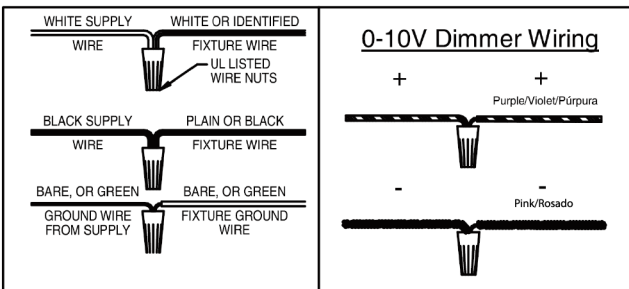
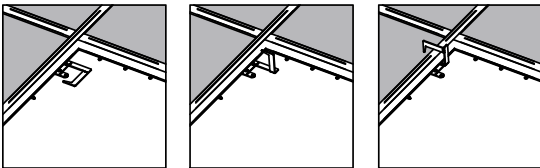
**STEP 1**

Raise unit into ceiling. Cross tees may need to be trimmed when fixtures are installed in certain applications. For instance when installing a 2x4 recessed troffer into a 2x2 ceiling grid the cross tees would need to be trimmed or a zero clearance cross tee utilized.



**STEP 2**

Bend T-bar clips into position.



**CFP-LSCS**

EDGE-LIT FLAT PANEL WITH SWITCHABLE LUMEN AND SWITCHABLE CCT,  
EMERGENCY BATTERY PACK INSTALLED, 1400 LUMENS

NOTE: Components shown in images are representative only and may vary based on the configuration ordered.

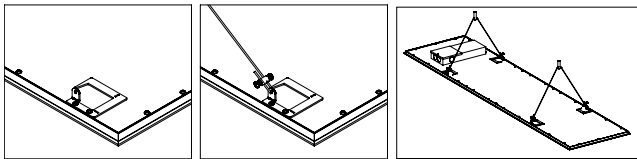
**CAUTION**

- All connections and assembled components need to be tightened and securely fastened. Do not remove die cast end from cable. Crimps are factory pressed onto cable for maximum strength. Current will not be responsible for damage or injuries which occur due to the cable/crimp alterations.
- This product must be installed in accordance with the applicable installation code by a person familiar with the construction and operation of the product and the hazards involved.

**CFP-LSCS SUSPENSION KIT ASSEMBLY INSTRUCTIONS NON-POWER FEED KIT**

**STEP 1**

Thread one end of gripper cross cable through safety stop ⑩, then through fixture bracket hole, and back through safety stop to complete loop as shown in picture. Secure with screws. Repeat on other side.



**STEP 2 (CHOOSE J-BOX BRACKET OR T-BAR CLIP)**

J-box bracket option: Securely install J-box bracket ① onto the junction box with the two #8-32 screws ②. Install the 1/4-20 threaded stud ③ into center hole of the bracket. Leave approx. 1/2"-3/4" exposed thread. Install the ground screw ④, which will be used later.

T-bar clip option: Place 1/4-20 stud into square opening on the bottom of T-bar clip ⑤ as pictured. Position T-bar clip on ceiling grid at required location. Secure clip to structural member by inserting support wire through 1/4" diameter hole located at the top of the clip (support wire not included).

**STEP 3**

Thread cable with stop ⑧ through top threaded end of barrel coupler ⑦ and pull cable until stop is seated inside coupler.

**STEP 4**

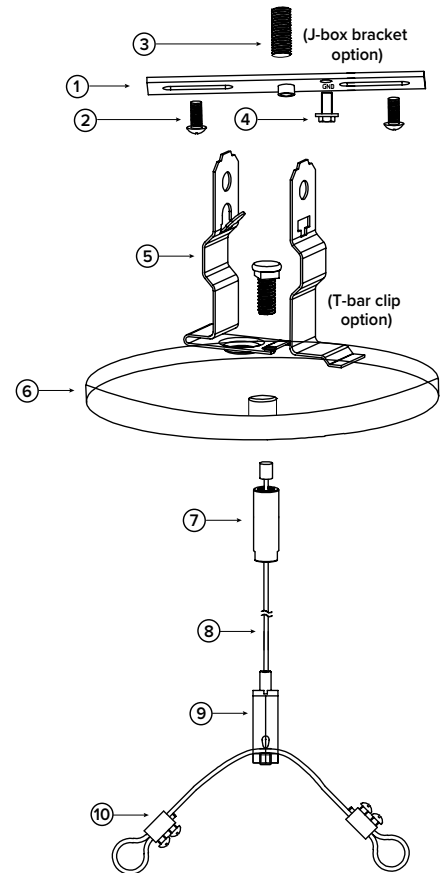
Place 5" canopy ⑥ over mounting stud on T-bar and hold canopy against ceiling surface. Thread barrel coupler ⑦ onto stud and secure.

**STEP 5**

Feed open end of cable through top plunger end of cable gripper. Gripper will engage around cable to prevent slipping. Adjust cable gripper position by pressing top plunger down. With the plunger depressed the gripper will move freely to any position.

**STEP 6**

Lift fixture to ceiling and thread cable completely through gripper. After the final cable gripper position is determined, trim excess cable no less than 3" beyond cable gripper outlet.



**J-box bracket option**

Item	Description	QTY
1	J-Box Bracket	1
2	#8-32 screws	2
3	1/4-20 Threaded Stud	1
4	Ground Screw	1
6	5" Canopy	1
7	Barrell Coupler	1
8	Cable with stop	1
9	Gripper with cross cable	1
10	Safety Stop	1

**T-bar clip option**

Item	Description	QTY
5	T-Bar Clip	1
6	5" Canopy	1
7	Barrell Coupler	1
8	Cable with stop	1
9	Gripper with cross cable	1
10	Safety Stop	1

**LUMEN SELECTABLE INSTRUCTIONS**

Different lumen levels can be achieved by setting the switch on the driver cover to different positions.

**FOR 38W PRODUCT**

2800/3300/4000 Lumens

**LED DRIVER**  
MODEL:HB-50W-090A042-D001

4000lm 3300lm 2800lm

AC INPUT:100-277VAC,50/60Hz,  
Max.0.7A, Max.40W

DC OUTPUT:27-42VDC, 900mA,  
Max. Power 37.8W

PF>0.90 Class P Class 2

0-10V dimming control  
ta:50°C • tc:max

**FC** **UL** LISTED E54306

Suitable for use in dry and damp locations

Used for connecting equipment wire YMMM  
rated temperature is at least 90 °C (194°F)

**FOR 52W PRODUCT**

3400/4100/5500 Lumens

**LED DRIVER**  
MODEL:HB-50W-110A042-D001

5500lm 4100lm 3400lm

AC INPUT:100-277VAC,50/60Hz,  
Max.0.7A, Max.50W

DC OUTPUT:27-42VDC, 1100mA,  
Max. Power 46.2W

PF>0.90 Class P Class 2

0-10V dimming control  
ta:50°C • tc:max

**FC** **UL** LISTED E54306

Suitable for use in dry and damp locations

Used for connecting equipment wire YMMM  
rated temperature is at least 90 °C (194°F)

# CFP-LSCS

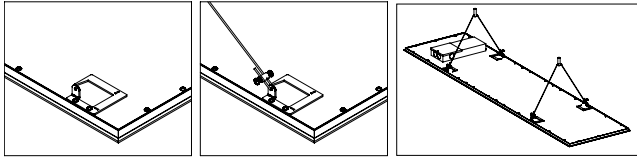
EDGE-LIT FLAT PANEL WITH SWITCHABLE LUMEN AND SWITCHABLE CCT,  
EMERGENCY BATTERY PACK INSTALLED, 1400 LUMENS

NOTE: Components shown in images are representative only and may vary based on the configuration ordered.

## CFP-LSCS SUSPENSION KIT ASSEMBLY — POWER FEED KIT (UNIV. VOLTAGE ONLY)

### STEP 1

Thread one end of gripper cross cable through safety stop ⑫, then through fixture bracket hole, and back through safety stop to complete loop as shown in picture. Secure with screws. Repeat on other side.



### STEP 2

Securely install J-box bracket ① onto the junction box with the two #8-32 screws ②. Install the 1/4-20 threaded stud ③ into center hole of the bracket. Leave approx. 1/2"-3/4" exposed thread. Install the ground screw ④, which will be used later.

### STEP 3

Insert the cord set ⑩ into the junction box and make the connections per all the appropriate electrical codes. For T-bar ceilings, the junction box installation is not covered in these instructions, but code requirements must be followed.

### STEP 4

Thread cable with stop ⑨ through top threaded end of barrel coupler ⑦ and pull cable until stop is seated inside coupler.

### STEP 5

Feed cord set through larger canopy hole and secure canopy to 1/4-20 stud with barrel coupler. You may need to adjust the height of the 1/4-20 stud.

### STEP 6

Use pliers to install strain relief bushing ⑥ around cord set and into canopy hole.

### STEP 7

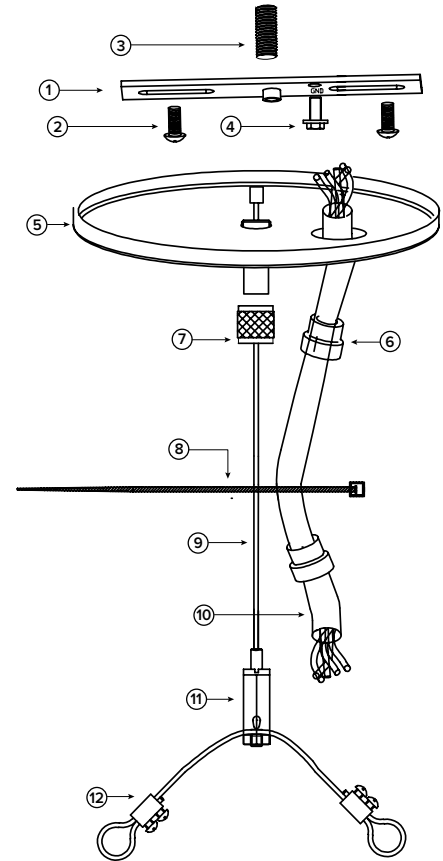
Thread cable through top plunger end of gripper. Insert cable completely through cable gripper. Gripper will engage around cable to prevent slipping. Adjust cable gripper position by pressing top plunger down, with the plunger depressed the gripper will move freely to any position.

### STEP 8

Determine the final position of the fixture and the length of the cord set and cable that are required for the application. If necessary, trim the cord set length and adjust cord guide as appropriate to the fixture design. After the final cable gripper position is determined, trim excess cable no less than 3" beyond cable gripper outlet. Cord set can be secured to cable with provided cable ties ⑧.

### STEP 9

Make electrical connections in the lighting fixture as appropriate. Be sure to follow all local and national code requirements.



J-box bracket option

Item	Description	QTY
1	J-Box Bracket	1
2	#8-32 screws	2
3	1/4-20 Threaded Stud	1
4	Ground Screw	1
5	5" Canopy	1
6	Strain Relief Bushing	2
7	Coupler	1
8	Cable tie	1
9	Cable with stop	1
10	18/5 SJT Cord set	1
11	Gripper with cross cable	1
12	Safety Stop	1

## LUMEN SELECTABLE INSTRUCTIONS

Different lumen levels can be achieved by setting the switch on the driver cover to different positions.

### FOR 38W PRODUCT

2800/3300/4000 Lumens

**LED DRIVER**  
MODEL:HB-50W-090A042-D001

4000lm 3300lm 2800lm

AC INPUT:100-277VAC,50/60Hz,  
Max.0.7A, Max.40W

DC OUTPUT:27-42VDC, 900mA,  
Max. Power 37.8W

PF>0.90 Class P Class 2

0-10V dimming control  
ta:50°C • tc:max

**FC** **UL** LISTED E534306

Suitable for use in dry and damp locations

Used for connecting equipment wire YYMM  
rated temperature is at least 90°C (194°F)

### FOR 52W PRODUCT

3400/4100/5500 Lumens

**LED DRIVER**  
MODEL:HB-50W-110A042-D001

5500lm 4100lm 3400lm

AC INPUT:100-277VAC,50/60Hz,  
Max.0.7A, Max.50W

DC OUTPUT:27-42VDC, 1100mA,  
Max. Power 46.2W

PF>0.90 Class P Class 2

0-10V dimming control  
ta:50°C • tc:max

**FC** **UL** LISTED E534306

Suitable for use in dry and damp locations

Used for connecting equipment wire YYMM  
rated temperature is at least 90°C (194°F)

**Note:** Approved electrical box must be attached appropriately and by qualified person. Installation must comply with local and/or national code. Check local building codes prior to installation.

**Warning:** Risk of electric shock. Cable kit installation requires knowledge of lighting luminaire electric systems. If not qualified, do not attempt installation—contact qualified electrician.

**Warning:** Install this cable kit securely only with a lighting luminaire that has been designed or modified to accommodate the components supplied with this kit and secured to a structural member.

**Notice:** Turn off the electrical power to the lighting luminaire circuit during the installation process.

# CFP-LSCS

EDGE-LIT FLAT PANEL WITH SWITCHABLE LUMEN AND SWITCHABLE CCT,  
EMERGENCY BATTERY PACK INSTALLED, 1400 LUMENS

NOTE: Components shown in images are representative only and may vary based on the configuration ordered.

## BATTERY BACK-UP (ELL14) OPTION

1. Follow OEM instructions provided regarding all warnings and guidelines connection and operation.
2. Wiring diagram provided is for reference only.



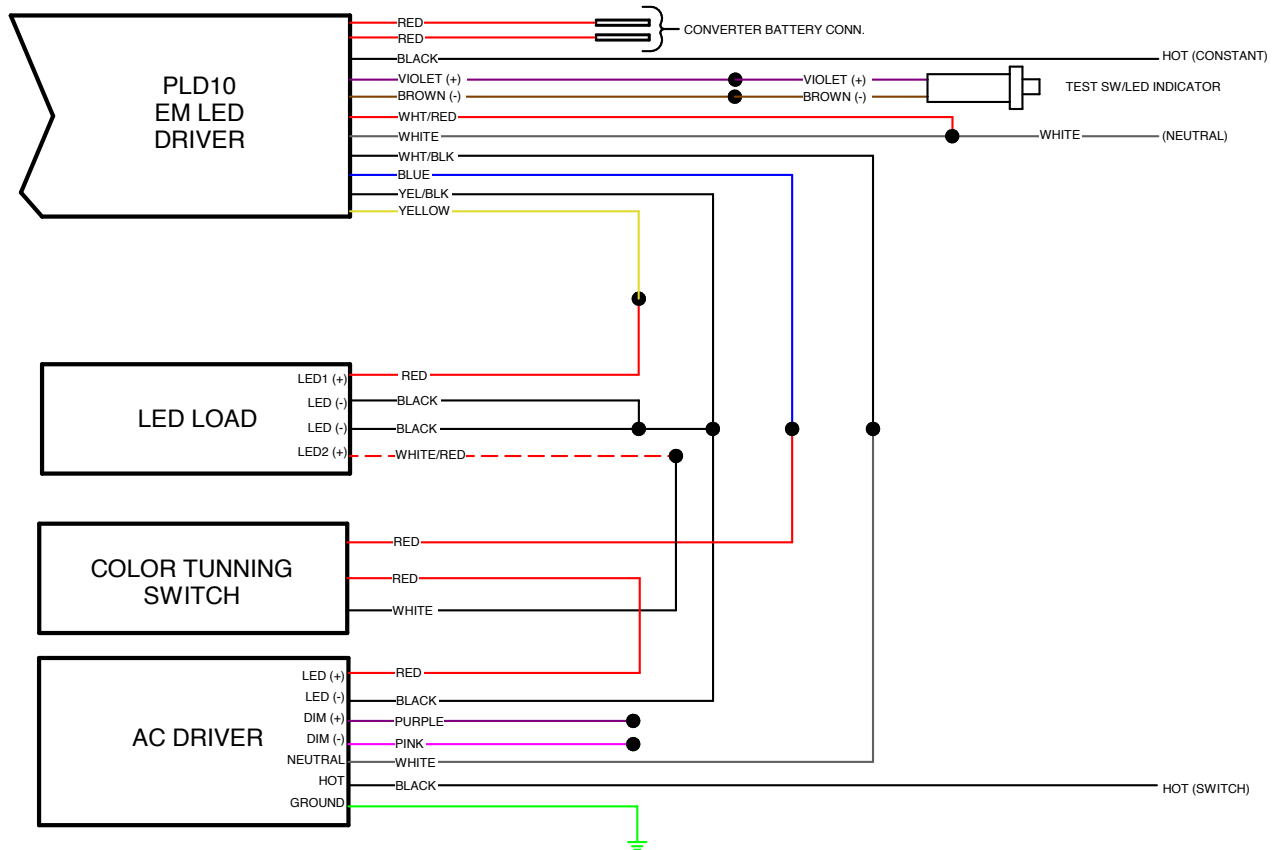
**WARNING:**

To prevent high voltage from being present on yellow and yellow/black output lead prior to installation, converter connector must be open. Do not join converter connector until installation is complete and AC power is supplied to the emergency driver.

### EMERGENCY DRIVER AND AC DRIVER MUST BE FED FROM THE SAME BRANCH CIRCUIT

TYPICAL SCHEMATICS ONLY. MAY BE USED WITH OTHER DRIVERS. CONSULT THE FACTORY FOR OTHER WIRING DIAGRAMS.

## WIRING DIAGRAM



**NOTE:** For short-term testing of the emergency function, the battery must be charged for at least one hour. The emergency driver must be charged for at least 24 hours before conducting a long-term test.

**NOTE:** CFP fixtures equipped with integral ELL14 option requires remote test switch via PLRTS device (ordered separately).

**CFP-LSCS**

EDGE-LIT FLAT PANEL WITH SWITCHABLE LUMEN AND SWITCHABLE CCT,  
EMERGENCY BATTERY PACK INSTALLED, 1400 LUMENS

NOTE: Components shown in images are representative only and may vary based on the configuration ordered.

**CAUTION**

Read instructions carefully and turn electricity off at main circuit breaker panel before beginning installation.

**WARNING**

If any special control devices are used with this luminaire, follow the instructions carefully to assure full compliance with NEC requirements. If there are any questions, contact a qualified electrical contractor.

**WARNING**

This product contains chemicals known to the State of California to cause cancer, birth defects and/or other reproductive harm. Thoroughly wash hands after installing, handling, cleaning, or otherwise touching this product.

**WARNING**

This product must be installed in accordance with the applicable installation code by a person familiar with the construction and operation of the product and the hazards involved.

**INSTALLATION METHOD 2: LUMINAIRE FITTING**

**NOTE:** Finished installation depth 2.5" from ceiling surface

**NOTE:** The luminaire fitting models are PSMK-14 / PSMK-22 / PSMK-24:

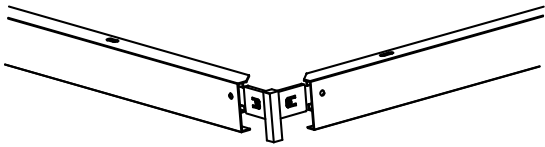
The Max. load for PSMK-14 is 9.92 lbs.

The Max. load for PSMK-22 is 10.14 lbs.

The Max. load for PSMK-24 is 14.99 lbs.

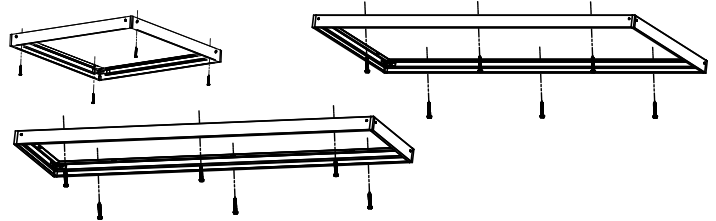
**STEP 1**

Snap corner bracket to extruded rails, making sure that mounting flanges are on opposite sides.



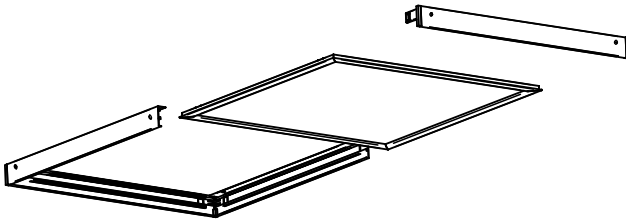
**STEP 2**

Attach frame to ceiling structure.



**STEP 3**

Remove one non-mounting frame side and slide in flat-panel. Make all electrical connections using appropriate fittings.



**STEP 4**

Reinstall frame side to complete.

