

CNW
NARROW WRAP

NOTE: Components shown in images are representative only and may vary based on the configuration ordered.

CAUTION! — READ THIS FIRST — IMPORTANT SAFETY INSTRUCTIONS

WARNING

- To reduce the risk of death, personal injury or property damage from fire, electric shock, falling parts, cuts/abrasions, and other hazards read all warnings and instructions included with and on the fixture box and all fixture labels.
- Before installing, servicing, or performing routine maintenance upon this equipment, follow these general precautions.
- Commercial installation, service and maintenance of luminaires should be performed by a qualified licensed electrician.
- For the installation: If you are unsure about the installation or maintenance of the luminaires, consult a qualified licensed electrician and check your local electrical code.
- To prevent wiring damage or abrasion, do not expose wiring to edges of sheet metal or other sharp objects.
- Do not make or alter any open holes in an enclosure of wiring or electrical components during installation.

WARNING

- Turn off electrical power at fuse or circuit breaker box before wiring fixture to the power supply.
- Turn off the power when you perform any maintenance.
- Verify that supply voltage is correct by comparing it with the luminaire label information.
- All wiring connections should be capped with UL approved wire connectors.

CAUTION

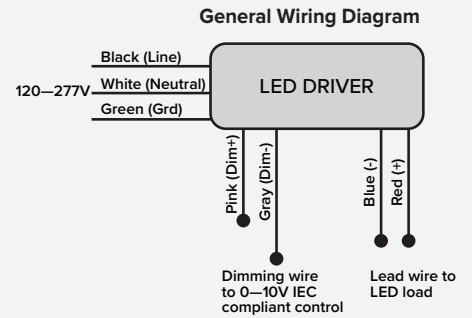
- Avoid direct eye exposure to the light source while it is on.
- Account for small parts and destroy packing material, as these may be hazardous to children.
- Risk of burn. Disconnect power and allow fixture to cool before handling..

NOTICE: Green ground screw provided in proper location. Do not relocate.

NOTICE: Minimum 90° supply conductors.

NOTICE: Specifications and dimensions subject to change without notice.

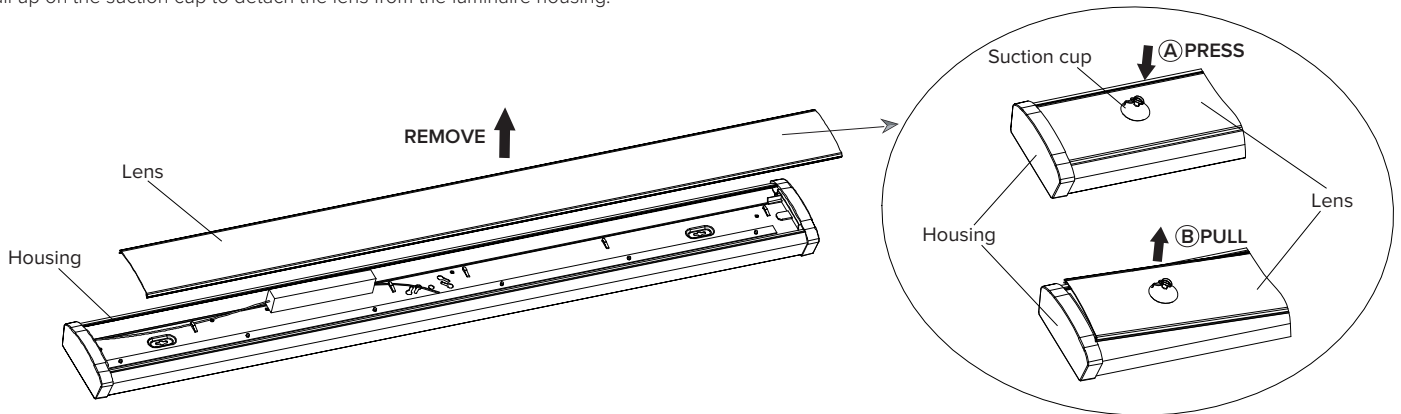
NOTICE: Suitable for Dry or Damp location.



SURFACE MOUNTING

STEP 1

Remove the lens from the housing by pressing the provided suction cup to the lens near one end of the luminaire. Pull up on the suction cup to detach the lens from the luminaire housing.

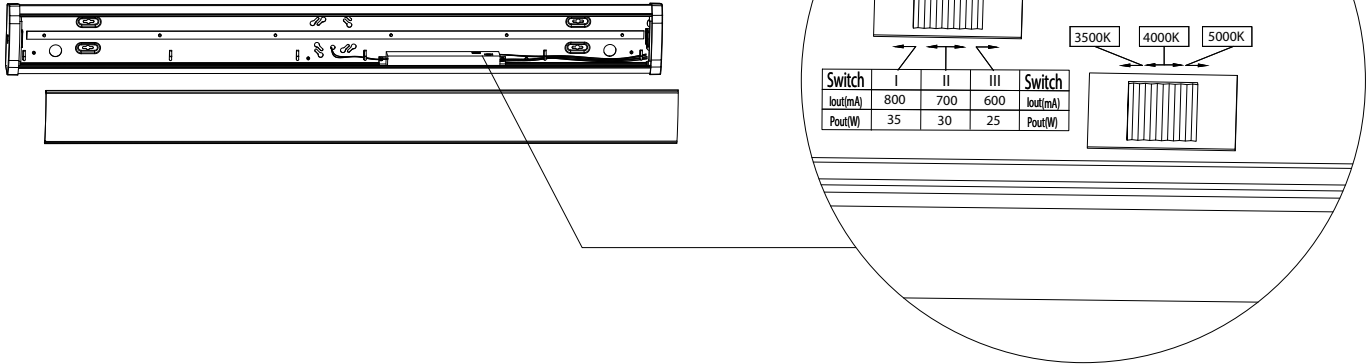


CNW
NARROW WRAP

STEP 2 – (FOR LSCS VERSIONS ONLY)

Different lumen and correlated color temperature levels can be achieved by setting the switch on the driver cover to different positions:
25W = 3000 lm ; 30W = 3500 lm; 35W = 4000lm

Field-Adjustable Wattage & CCT



STEP 3

Place the luminaire on the junction box and pencil the four hole positions onto the ceiling. Put the luminaire aside and drill the four holes. Insert an anchoring bolt (not included) into each hole. Screw the four mounting screws into each anchoring bolt, then connect the AC wires.

STEP 4

Install the lens, starting at one end of housing. Insert lens slot onto edge of housing. Carefully squeeze the lens to engage opposite side with housing. Continue this action down length of lens until fully installed onto housing.

