

CVT-LSCS

Switchable Lumen and CCT vapor tight

NOTE: Components shown in images are representative only and may vary based on the configuration ordered.

CAUTION! — READ THIS FIRST — IMPORTANT SAFETY INSTRUCTIONS

⚠ WARNING

- To reduce the risk of death, personal injury or property damage from fire, electric shock, falling parts, cuts/abrasions, and other hazards read all warnings and instructions included with and on the fixture box and all fixture labels.
- Before installing, servicing, or performing routine maintenance upon this equipment, follow these general precautions.
- Commercial installation, service and maintenance of luminaires should be performed by a qualified licensed electrician.
- For the installation: If you are unsure about the installation or maintenance of the luminaires, consult a qualified licensed electrician and check your local electrical code.
- To prevent wiring damage or abrasion, do not expose wiring to edges of sheet metal or other sharp objects.
- Do not make or alter any open holes in an enclosure of wiring or electrical components during kit installation.

⚠ WARNING

- Turn off electrical power at fuse or circuit breaker box before wiring fixture to the power supply.
- Turn off the power when you perform any maintenance.
- Verify that supply voltage is correct by comparing it with the luminaire label information.
- All wiring connections should be capped with UL approved wire connectors.

⚠ CAUTION

- Avoid direct eye exposure to the light source while it is on.
- Account for small parts and destroy packing material, as these may be hazardous to children.
- Risk of burn. Disconnect power and allow fixture to cool before changing bulb or handing fixture.

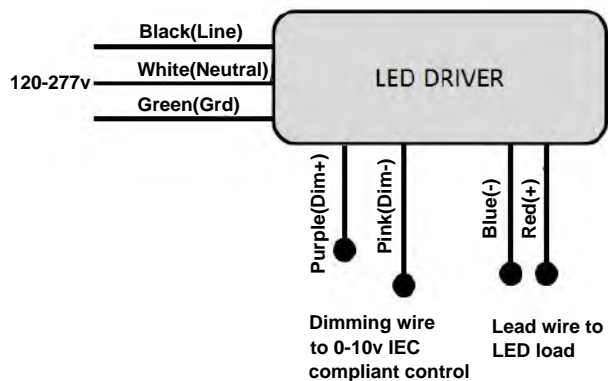
NOTICE: Green ground screw provided in proper location. Do not relocate.

NOTICE: Minimum 90° supply conductors.

NOTICE: Specifications and dimensions subject to change without notice.

NOTICE: Suitable for wet location.

General Wiring Diagram

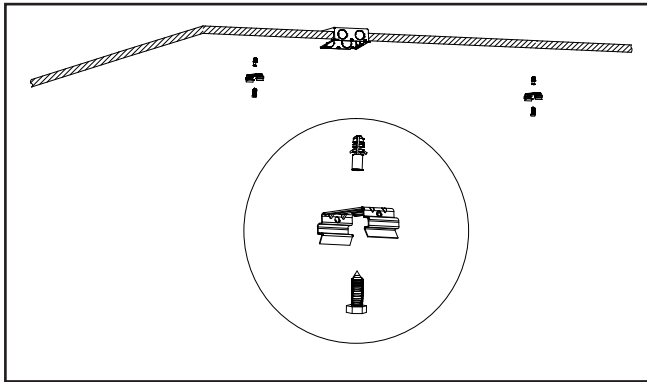


INSTRUCTIONS:

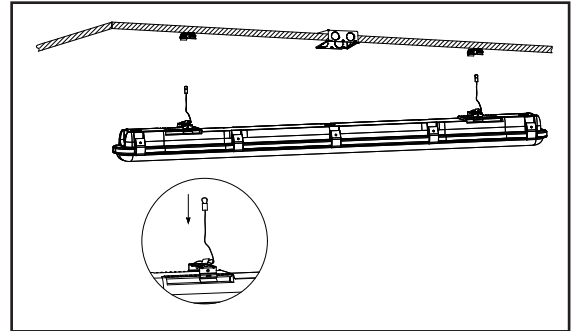
Always turn off the power supply from main circuit breaker first!

A: Surface Mounting

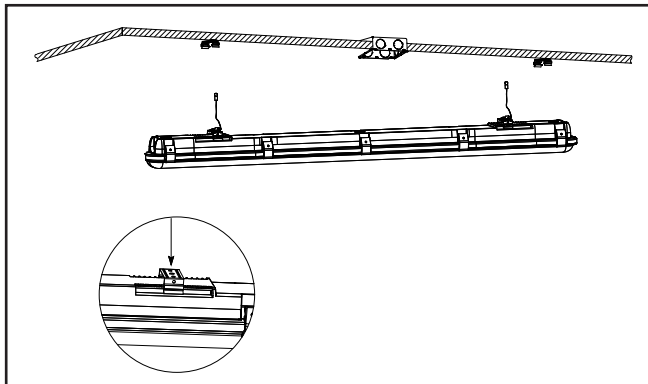
1. Locate drill holes for mounting brackets. Use hardware found in hardware kit. Mount bracket to surface.



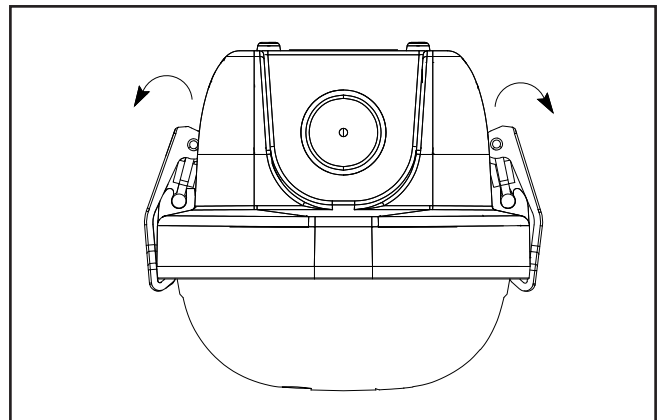
2. Fix mounting bracket on fixtures. Tight safety tether through mounting bracket and fix other end to installation surface with expansion screw



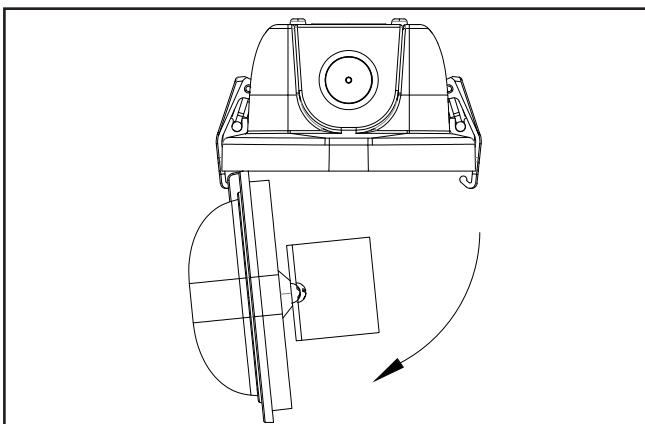
3. Secure mounting clips to housing recesses by firmly pressing them into place until both sides of the clip are secured.



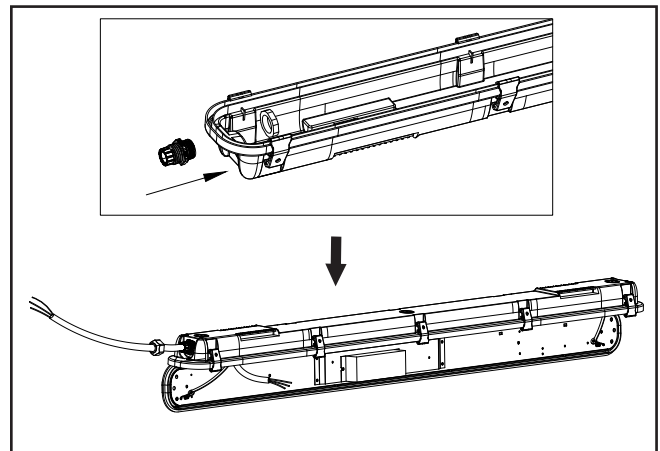
4. Release latches by pulling top of latch away from housing.



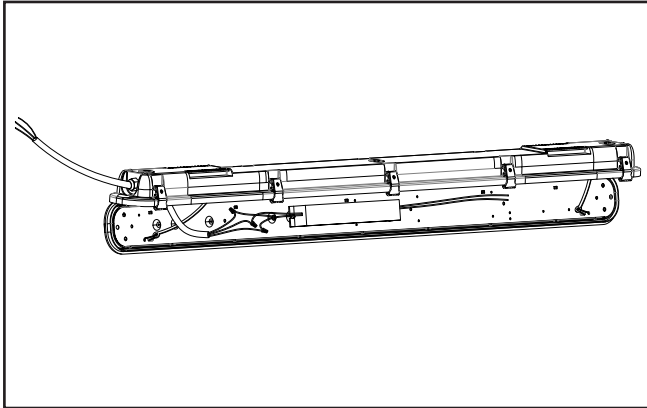
5. Without touching LED boards, detach LED tray and lens from fixture.



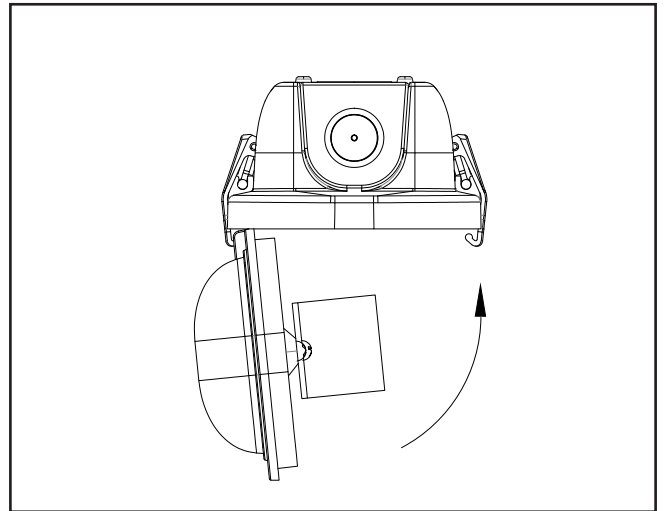
6. Installing waterproof connectors.



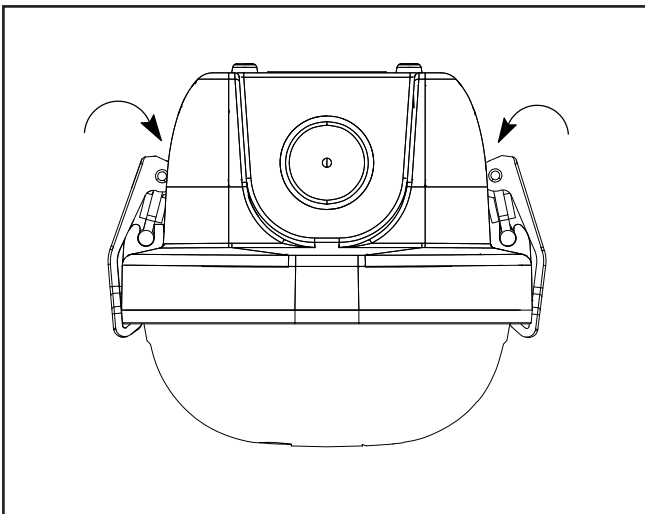
7. Connect power to driver as shown in the figure.
(the flexible cord supplied by others)



8. Reattach LED tray and lens to fixture by reversing step 4.

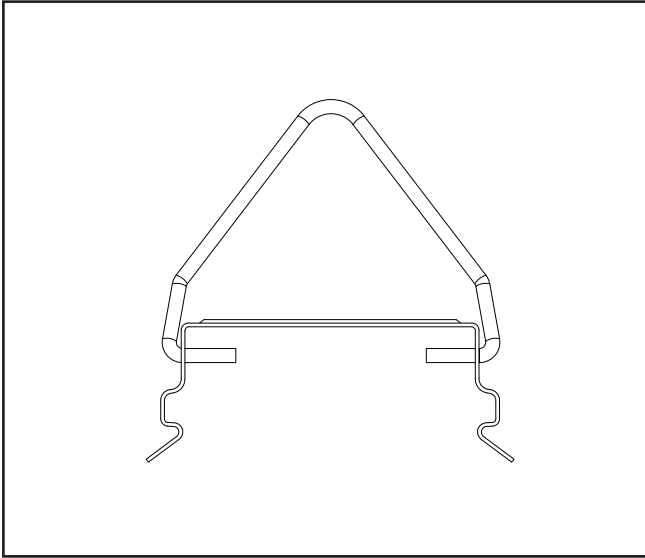


9. Secure lens to housing with lens latches.

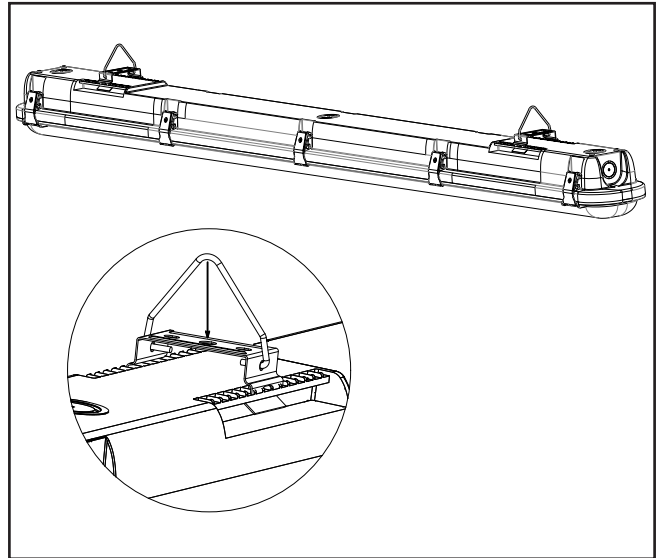


B: Chain Suspended Mounting

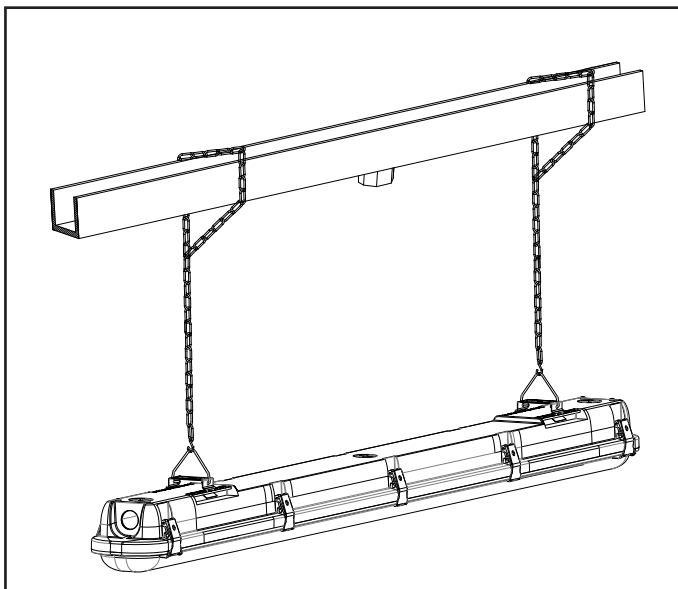
1. Attach V-bracket to each mounting clip by spreading the ends of the V-bracket apart and then inserting the legs into the holes in the side of the mounting clips.



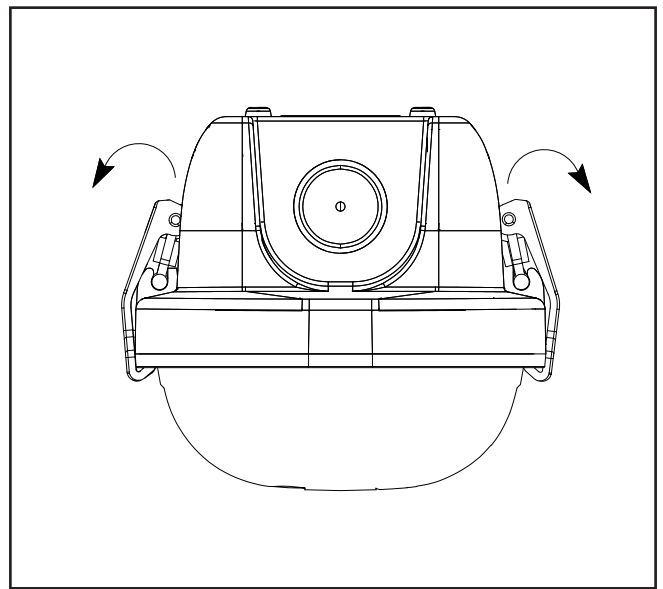
2. Secure mounting clips to housing recesses by firmly pressing them into place until both sides of the clip are secured. Hang fixture from customer supplied chain using V-brackets.



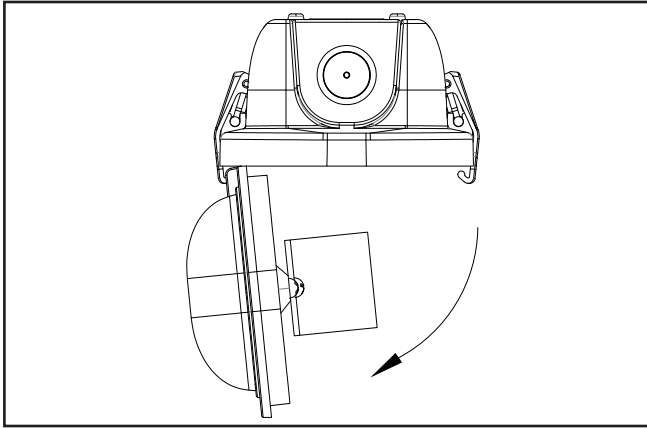
3. Hang fixture from customer supplied chain using V-brackets.



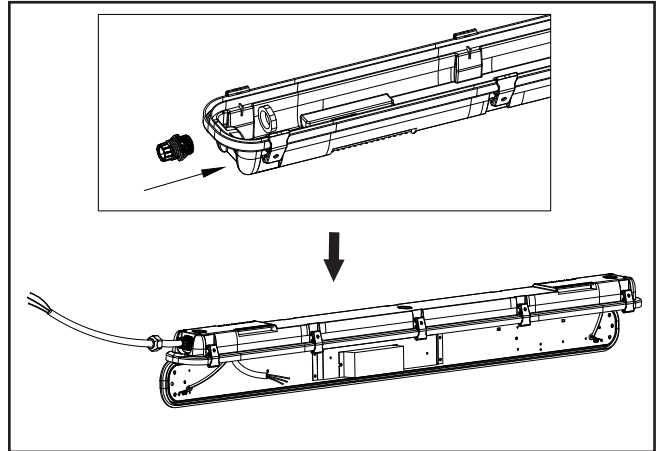
4. Release latches by pulling top of latch away from housing.



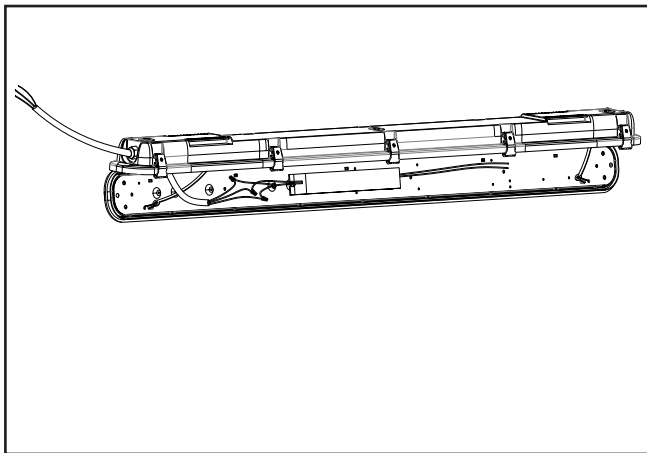
5. Without touching LED boards, detach LED tray and lens from fixture.



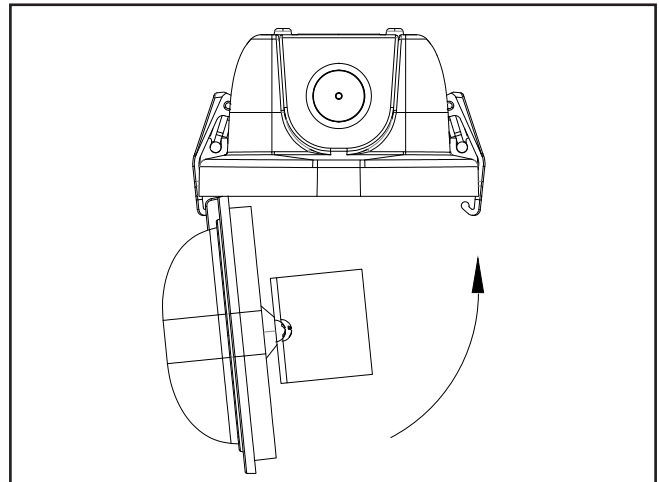
6. Installing waterproof connectors.



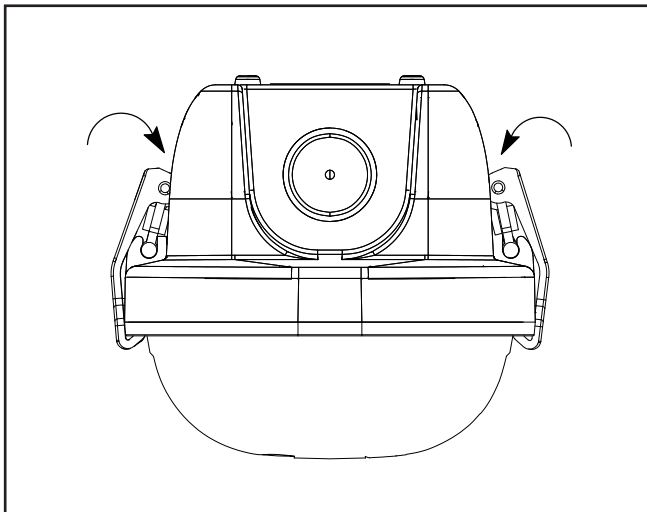
7. Connect power to driver as shown in the figure. (the flexible cord supplied by others)



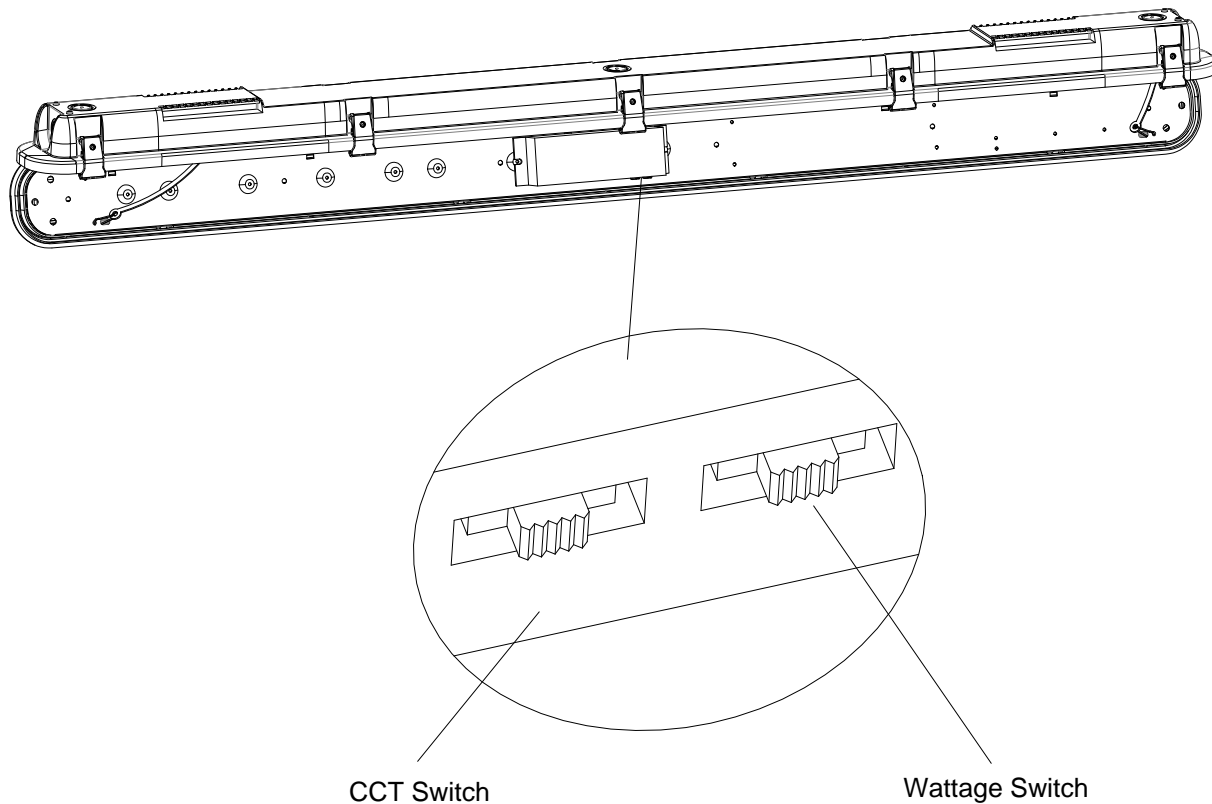
8. Reattach LED tray and lens to fixture by reversing step 5.



9. Secure lens to housing with lens latches.



Field-Adjustable Wattage & CCT



The end users may adjust the color temperature and lumen output respectively by the two DIP switch. Each DIP switch is accommodated with 3 options (left, middle and right), corresponding to 3 color temperatures and 3 powers respectively, which can perform the desired color temperature and lumen output combination.

1. DIP switches are located onto the side of the fixture.
2. Select a wattage and color temperature by sliding switch left or right respectively to the desired value.