

NRL

TRANSITION® NARROW RECESSED LINEAR

NOTE: Components shown in images are representative only and may vary based on the configuration ordered.

CAUTION

Read instructions carefully and turn electricity off at main circuit breaker panel before beginning installation.

WARNING

If any special control devices are used with this luminaire, follow the instructions carefully to assure full compliance with NEC requirements. If there are any questions, contact a qualified electrical contractor.

WARNING

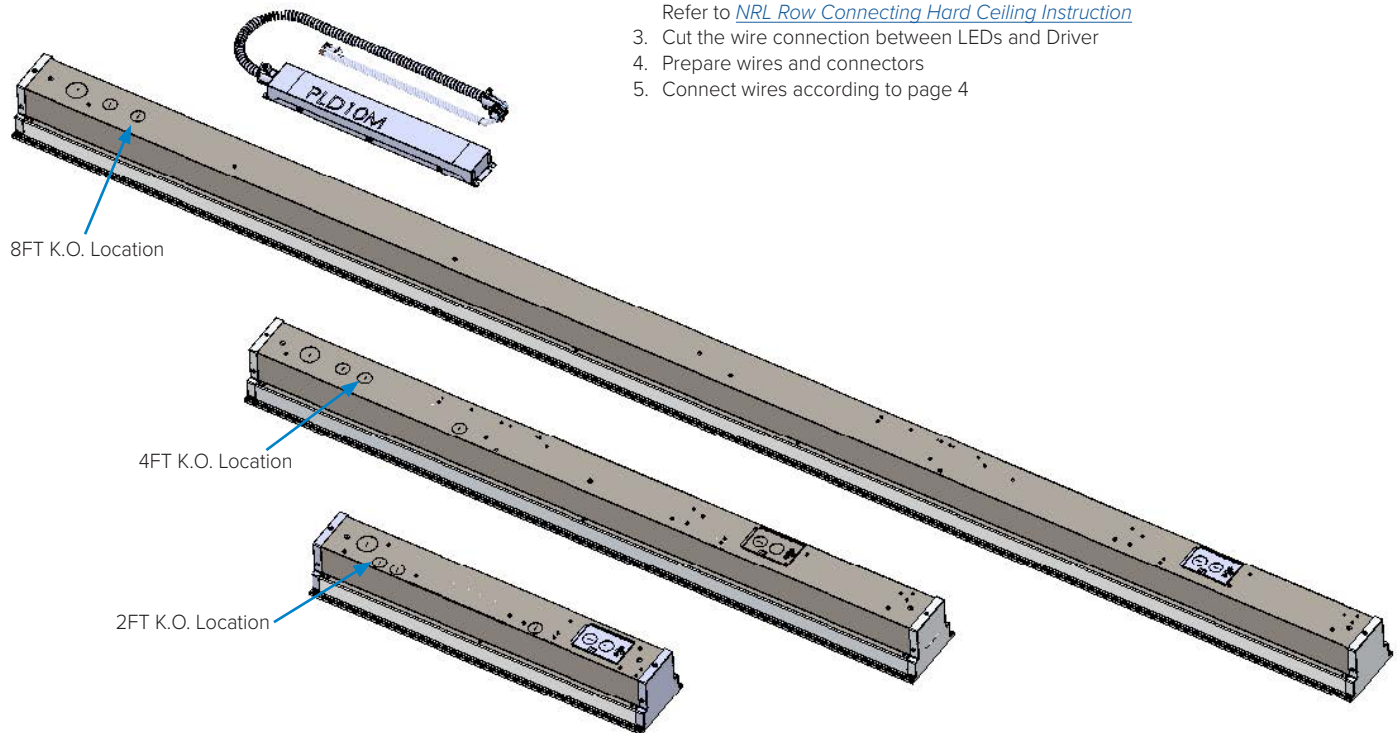
This product must be installed in accordance with the applicable installation code by a person familiar with the construction and operation of the product and the hazards involved.

WARNING

This product contains chemicals known to the State of California to cause cancer, birth defects and/or other reproductive harm. Thoroughly wash hands after installing, handling, cleaning, or otherwise touching this product.

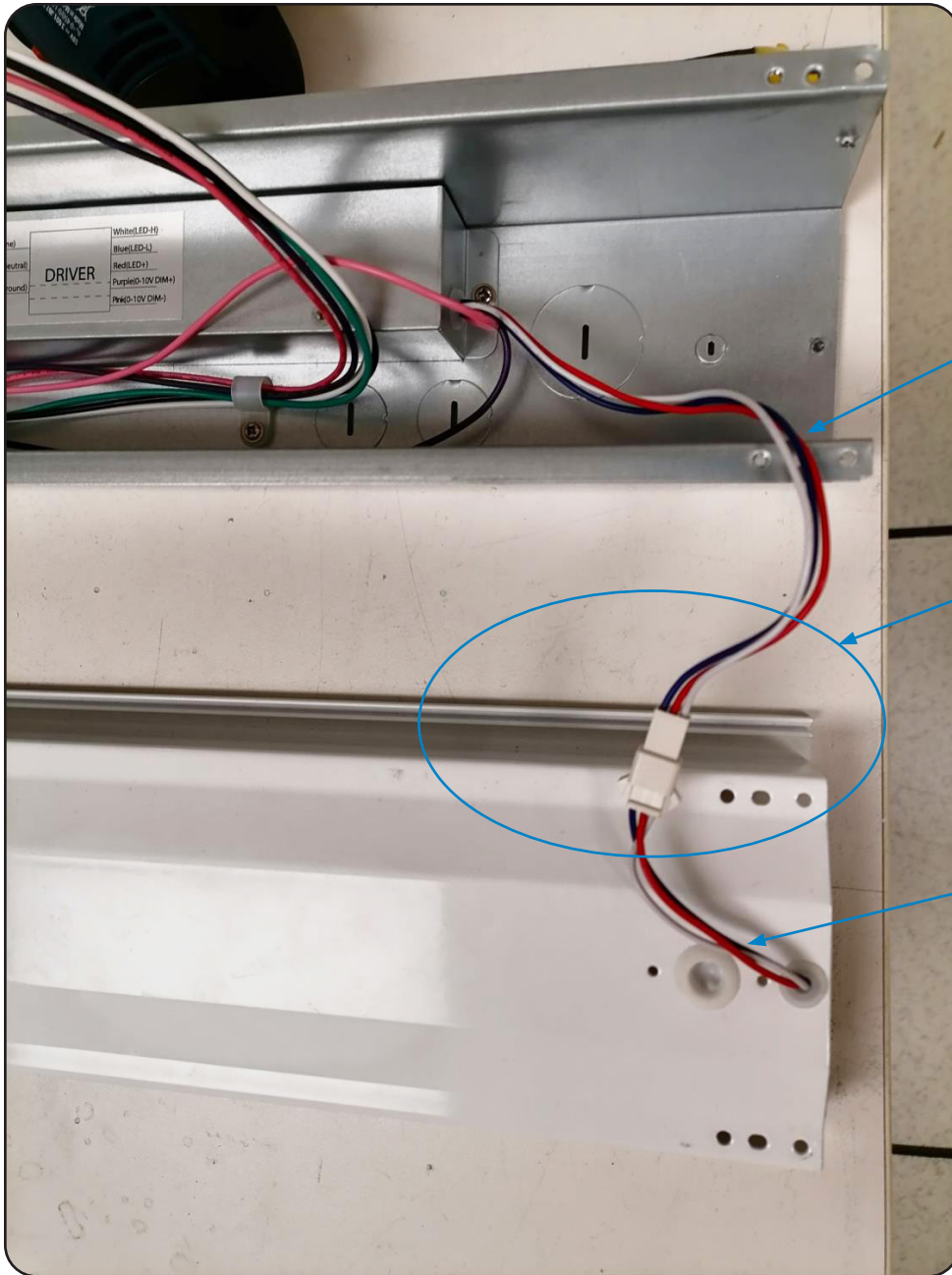
INSTALLATION

1. Open the K.O.
2. Disassemble the fixture according to installation guide. Refer to [NRL Row Connecting Hard Ceiling Instruction](#)
3. Cut the wire connection between LEDs and Driver
4. Prepare wires and connectors
5. Connect wires according to page 4



NRL

TRANSITION® NARROW RECESSED LINEAR



3 output wires of driver : White/Red/Blue

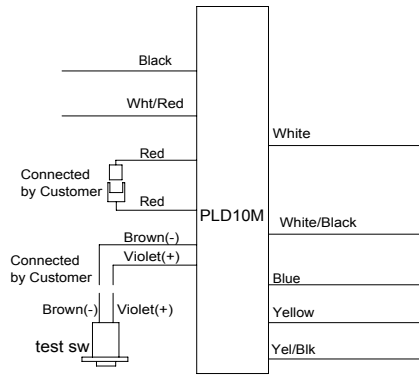
Cut the wire connection between LEDs and Driver

3 input wires to LED PCBA: White/Red/Blue

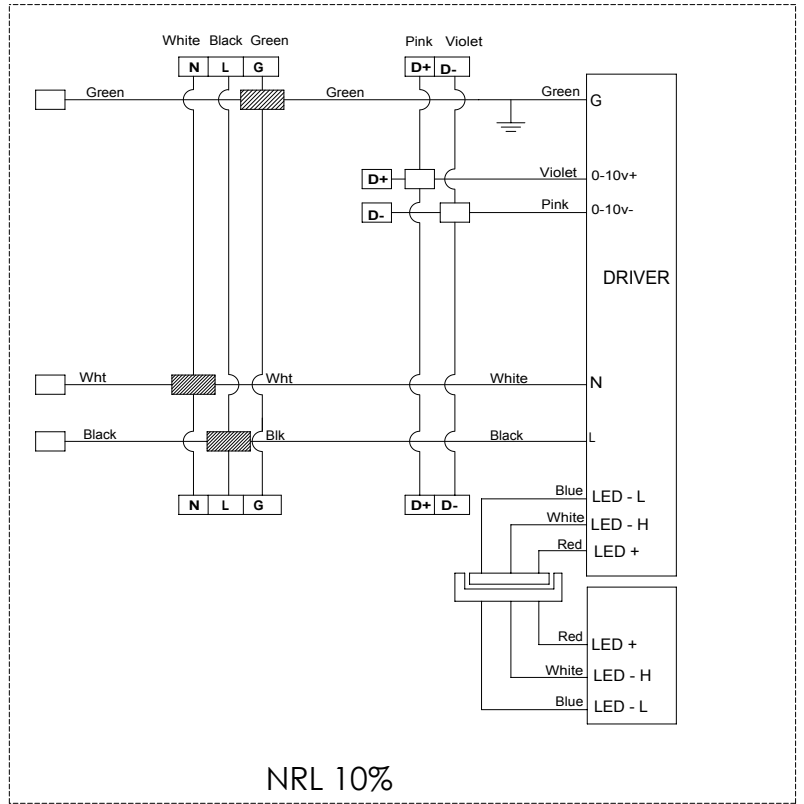
NRL

TRANSITION® NARROW RECESSED LINEAR

NRL 10% BEFORE CONNECTING TO EMBB



PLD7M

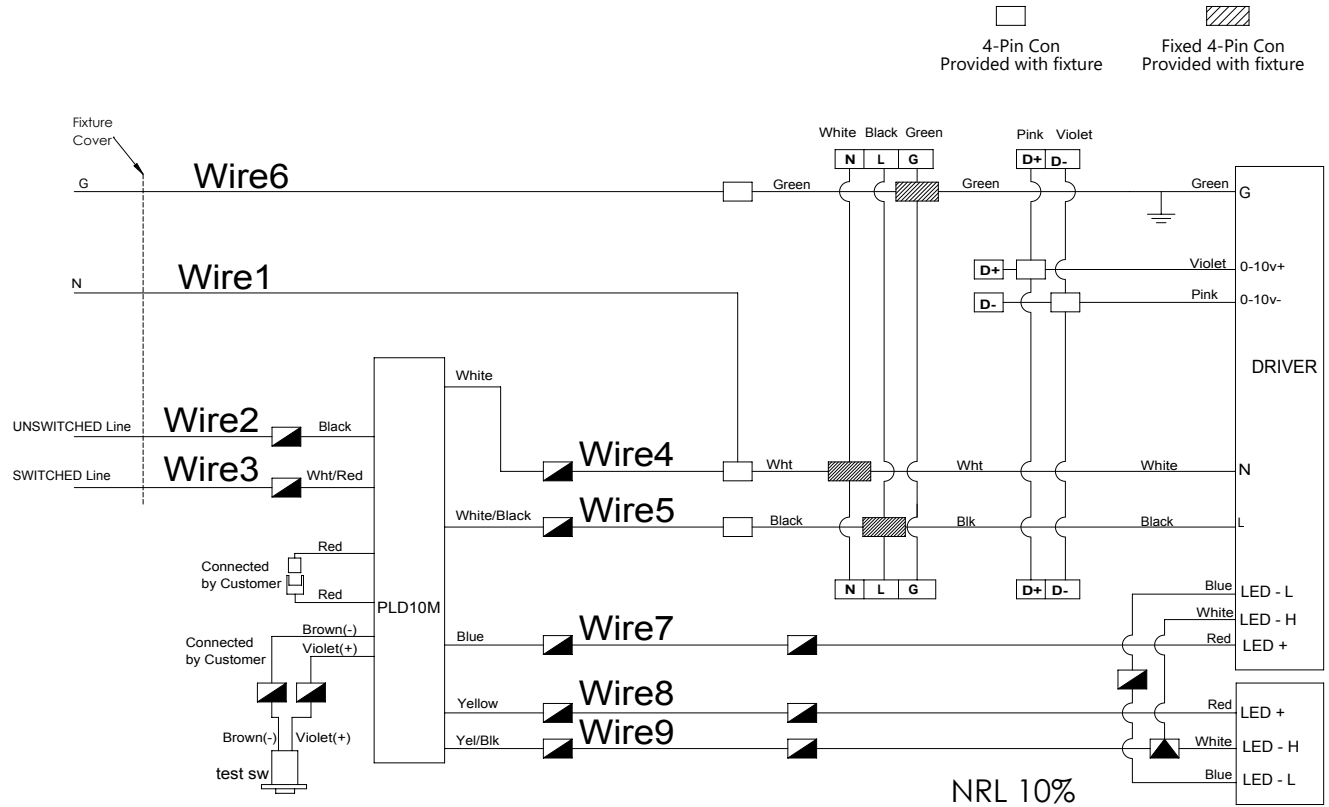


NRL 10%

NRL

TRANSITION® NARROW RECESSED LINEAR


NRL 10% AFTER CONNECTING TO EMBB




The length of the additional wires and components

	Wire1 White	Wire2 Black	Wire3 Wht/Red	Wire4 White	Wire5 Black	Wire6 Green	Wire7 Blue	Wire8 Yellow	Wire9 Yel/Blk	2Port Con	3Port Con
NRL 2FT 10%	40cm	40cm	40cm	N/A	N/A	40cm	N/A	N/A	N/A	7pcs	1pcs
NRL 4FT 10%	40cm	95cm	95cm	60cm	60cm	40cm	N/A	N/A	N/A	9pcs	1pcs
NRL 8FT 10%	55cm	195cm	195cm	165cm	165cm	40cm	100cm	100cm	100cm	13pcs	1pcs


The length will be different if use PLD7M.
The wiring will be different if use other brand battery.

- 

CON-00087-01
WAGO 2POS SPLICE CON
- 

CON-00088-01
WAGO 3 COND SPLICE

ADDITIONAL CONNECTOR INFORMATION



CON-00087-01
WAGO 2POS SPLICE CON



CON-00088-01
WAGO 3 COND SPLICE

