

NRL

NARROW RECESSED LINEAR

NOTE: Components shown in images are representative only and may vary based on the configuration ordered.

WARNINGS & SAFETY INFORMATION: PLEASE READ CAREFULLY!

WARNING: Risk of fire or electric shock. Luminaire wiring and electrical parts may be damaged when drilling for installation of drywall kit. Check for enclosed wiring and components.

WARNING: Risk of fire or electric shock. Drywall kit installation requires knowledge of luminaires electrical systems. If not qualified, do not attempt installation. Contact a qualified electrician.

WARNING: Risk of fire or electric shock. Only those open holes indicated in the photographs and/or drawings may be made or altered as a result of kit installation. Do not leave any other open holes in an enclosure of wiring or electrical components.

WARNING: To prevent wiring damage or abrasion, do not expose wiring to edges of sheet metal or other sharp objects.

WARNING: This product is sensitive to Electrical Static Discharge (ESD). Care should be taken to avoid direct contact with the LEDs. Installers should be grounded using a wrist strap or other suitable method of grounding. Failure to ground the installer may cause premature failures and void the fixture warranty.

WARNING: The product shall not be connected to a luminaire marked for supply wires rated more than 90°C when provided with a two-piece polymeric electrical connector and support assembly for mounting a luminaire to an outlet box.

This luminaire has been modified and can no longer operate the originally intended lamp.

FCC WARNINGS

Note: This equipment has been tested and found to comply with the limits for a Class B digital device, pursuant to part 15 of the FCC Rules. These limits are designed to provide reasonable protection against harmful interference in a residential installation. This equipment generates uses and can radiate radio frequency energy and, if not installed and used in accordance with the instructions, may cause harmful interference to radio communications. However, there is no guarantee that interference will not occur in a particular installation. If this equipment does cause harmful interference to radio or television reception, which can be determined by turning the equipment off and on, the user is encouraged to try to correct the interference by one or more of the following measures:

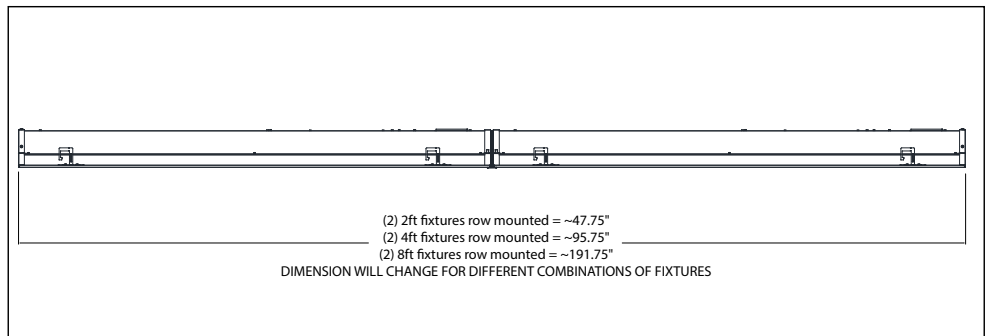
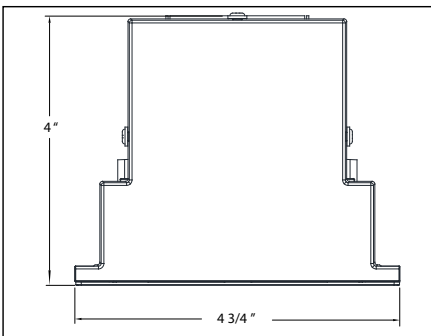
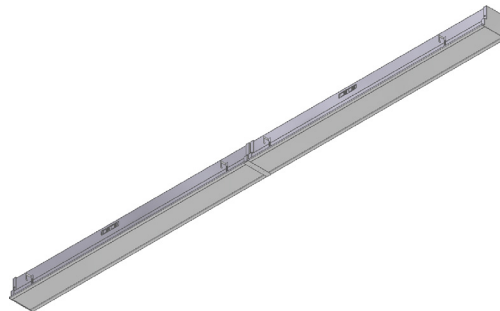
- Reorient or relocate the receiving antenna.
- Increase the separation between the equipment and receiver.
- Connect the equipment into an outlet on a circuit different from that to which the receiver is connected.
- Consult the dealer or an experienced radio/TV technician for help.

Any changes or modifications to this unit not expressly approved by the party responsible for compliance could void the user's authority to operate the equipment.

Remarque : Cet équipement a été mis à l'essai et déclaré conforme aux limites établies pour un dispositif numérique de classe B en vertu d'article 15 des règlements de la FCC. Ces limites sont conçues pour assurer une protection raisonnable contre tout brouillage nuisible dans une installation résidentielle. Cet équipement produit utilise et peut émettre des ondes radioélectriques et, s'il n'est pas installé et utilise conformément aux instructions, il peut créer des parasites nuisibles aux communications radio. Cependant, il n'existe aucune garantie que les interférences ne se produiront pas avec une installation particulière. Si cet équipement cause des brouillages préjudiciables à la réception de la radio ou de la télévision, ce qui peut être déterminé en éteignant et en rallumant l'équipement, l'utilisateur est invité à essayer de corriger ce brouillage au moyen de l'une ou de plusieurs des mesures suivantes :

- Réorienter ou déplacer l'antenne de réception.
- Augmenter la distance entre l'équipement et le récepteur.
- Brancher l'équipement sur une prise indépendante du circuit d'alimentation du récepteur.
- Consulter le détaillant ou un technicien de radio/télévision compétent pour obtenir de l'aide.

Toute modification apportée à cet appareil non expressément approuvée par la partie responsable de la conformité pourrait annuler l'autorité de l'utilisateur à utiliser l'équipement.

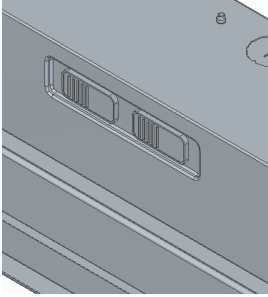


NRL

NARROW RECESSED LINEAR

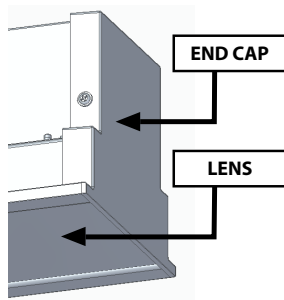
STEP 1

Select CCT & lumen.



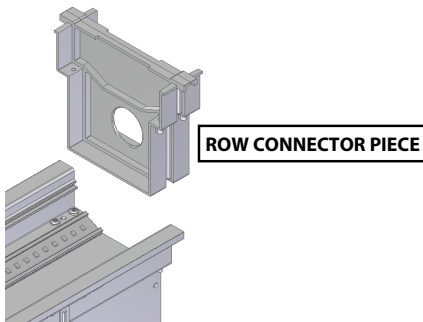
STEP 2

Remove one end cap and lens from fixture using a screw driver.



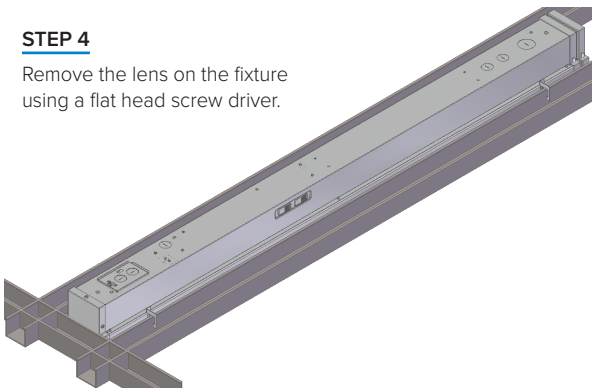
STEP 3

Install row connector piece to fixture.



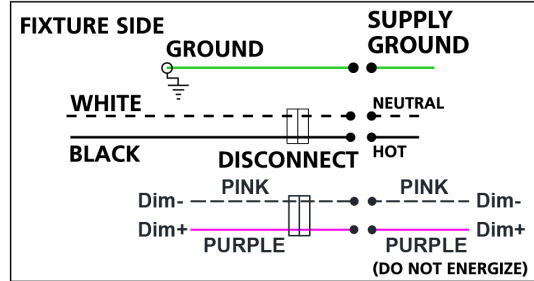
STEP 4

Remove the lens on the fixture using a flat head screw driver.



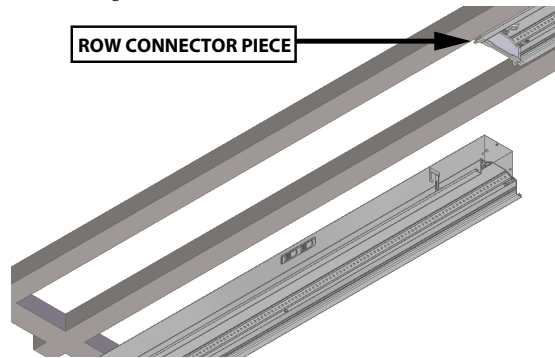
STEP 5

Open access plate to splice power wires to fixture wires. Remove the knockout to connect conduit to access plate. Connect green wires to ground screw on access plate. Connect incoming power lines to fixture with provided disconnects. Secure access plate to the fixture.



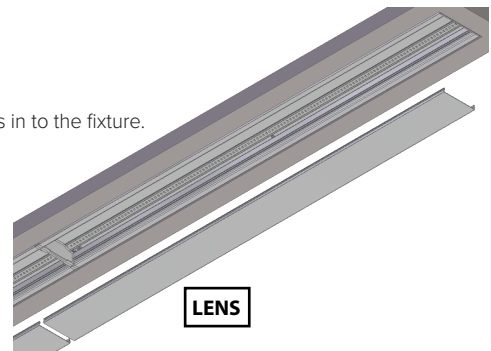
STEP 6

Remove lens and one end cap of other fixture. Refer to step 2. Connect wiring between two fixtures. Connect second fixture to row connector piece in the ceiling.



STEP 7

Install lenses in to the fixture.



STEP 8

Install cover piece to any gap between the lenses.

