

INSTRUCTION MANUAL FOR REVALUME LINEAR WRAP

Components shown in images are representative only and may vary based on the configuration ordered. Refer to the following sections for instructions on the desired mounting condition:

- A. Surface Mount (standard)
- B. Stem Mount (optional - see Accessories table on specification sheet)
- C. Cable Mount (optional - see Accessories table on specification sheet)
- D. Row Mounting



CAUTION! – READ THIS FIRST - IMPORTANT SAFETY INSTRUCTIONS

WARNING: THIS PRODUCT MUST BE INSTALLED IN COMPLIANCE WITH THE NATIONAL ELECTRICAL CODE AND/OR ANY LOCAL CODES BY A PERSON FAMILIAR WITH THE CONSTRUCTION AND OPERATION OF THE PRODUCT AND THE HAZARDS INVOLVED. IF YOU HAVE ANY QUESTIONS REGARDING THE PROPER INSTALLATION OR LOCAL CODES, CONSULT A QUALIFIED ELECTRICIAN.

WARNING: RISK OF FIRE, MINIMUM OF 90°C SUPPLY CONDUCTOR. CONSULT A QUALIFIED ELECTRICIAN TO ENSURE CORRECT BRANCH CIRCUIT CONDUCTOR.

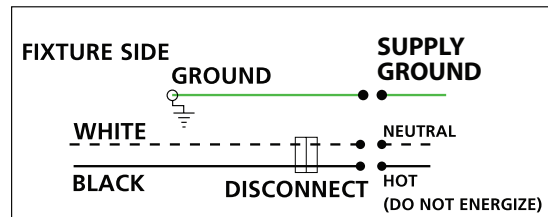
WARNING: TO AVOID SHOCK HAZARD, DISCONNECT THE POWER AT THE PANEL BOARD (CIRCUIT BREAKER BOX) BEFORE BEGINNING INSTALLATION.

WARNING: INSTALL THE FIXTURE IN ONLY AN INDOOR ENVIRONMENT AND FOR THE INTENDED USE.

WARNING: INJURY TO PERSONS AND DAMAGE TO THE FIXTURE AND/OR MOUNTING SURFACE MAY RESULT IF THE FIXTURE IS PULLED FROM THE SURFACE. TO REDUCE THE LIKELIHOOD OF SUCH INJURY OR DAMAGE, MOUNT ONLY ON A SURFACE THAT IS MECHANICALLY SOUND.

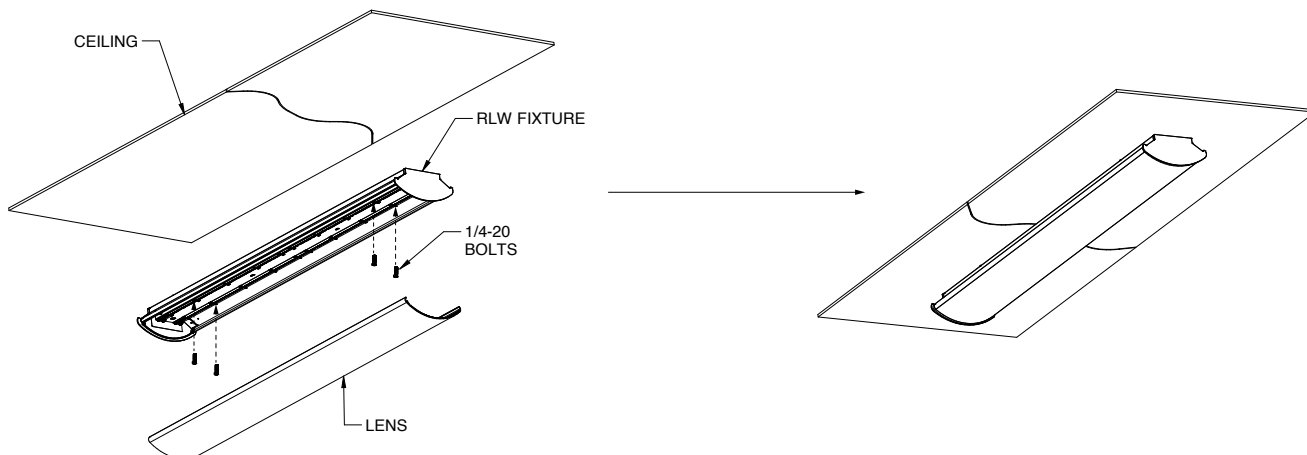
NOTE:

- Green ground screw is provided in the proper location. Do not relocate the screw.
- Minimum 90°C supply conductors.
- Specifications and dimensions subject to change without notice.
- Suitable for dry or damp locations.



A. SURFACE MOUNT INSTRUCTIONS

1. Remove the lens and put aside.
2. Punch through the four ¼" KOs inside the fixture.
3. Use the provided ¼-20 mounting bolts to secure fixture to ceiling.
4. Reattach lens to complete the installation.

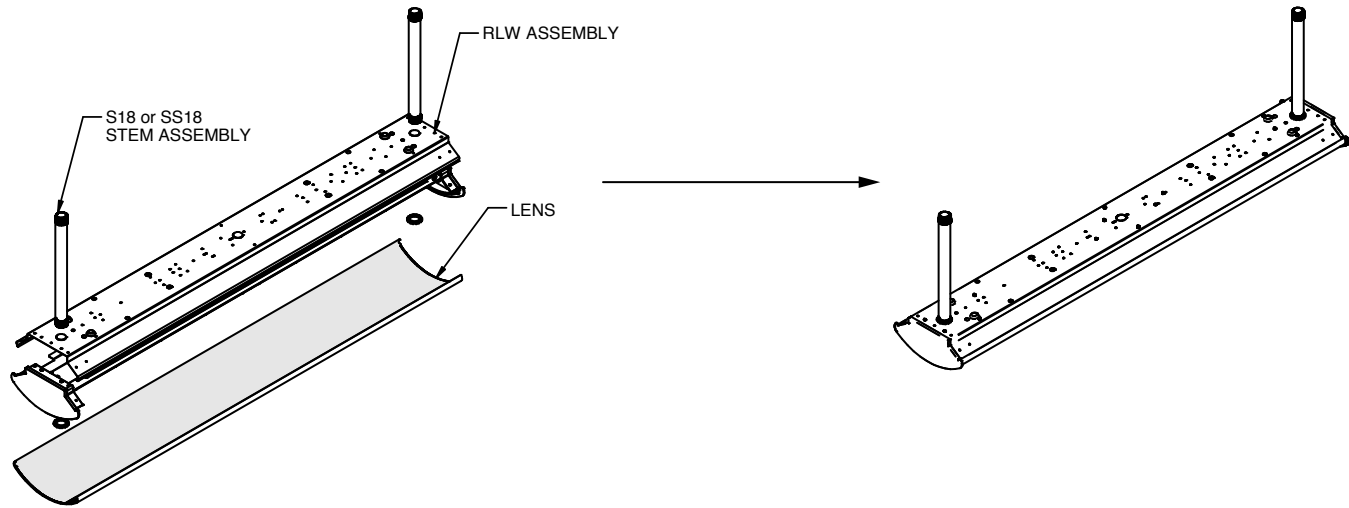


RLW

REVALUME™ LINEAR WRAP

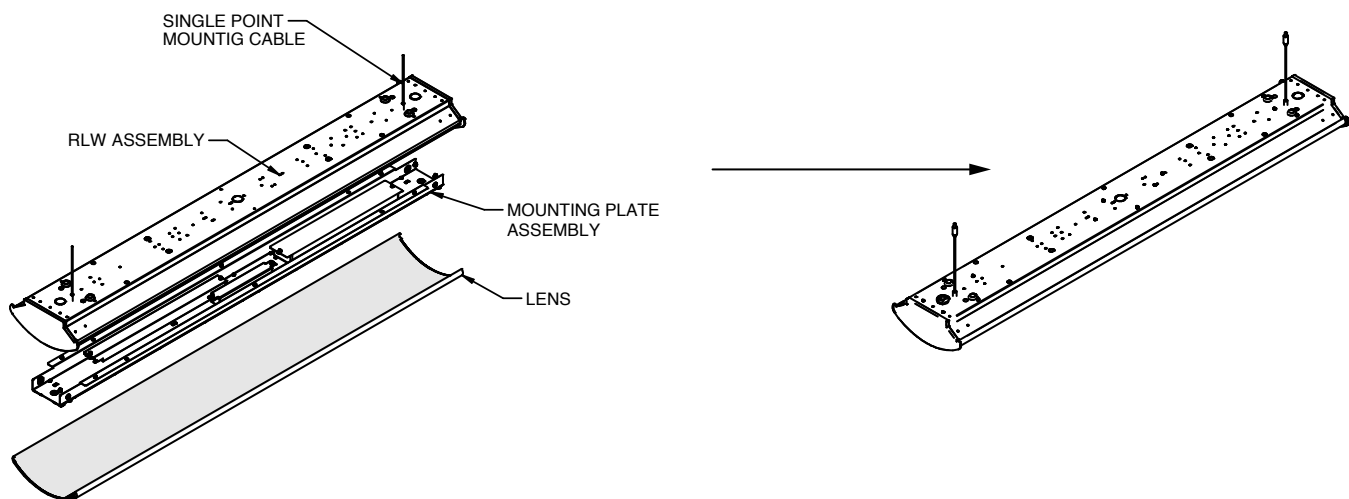
B. STEM MOUNT INSTRUCTIONS

1. Remove the lens and put aside. Remove mounting plate assembly from fixture.
2. Install stem system to desired location.
3. Reassemble fixture and reattach lens to complete the installation.



C. CABLE MOUNT INSTRUCTIONS

1. Remove the lens and put aside. Remove mounting plate assembly from fixture.
2. Install cable system to desired location.
3. Reassemble fixture and reattach lens to complete the installation.



RLW

REVALUME™ LINEAR WRAP

C. ROW MOUNT INSTRUCTIONS

1. Using provided kit, align both ends of the RLW Housing Assembly.
2. Slide provided bracket inside both sections of housing.
3. Attach bracket to housing using provided fasteners.

