

PSMK/DSMK Surface Mount Kits

Luminaire Fitting



BEFORE YOU BEGIN

Read these instructions completely and carefully.



WARNING

RISK OF ELECTRIC SHOCK

- Turn power off before inspection, installation or removal.
- Properly ground electrical enclosure.

RISK OF FIRE

- Follow all NEC and local codes.
- Use only UL approved wire for input/output connections. Minimum size 18 AWG (0.75mm²).

RISQUES DE DÉCHARGES ÉLECTRIQUES

- Coupez l'alimentation avant d'inspecter, installer ou déplacer le luminaire.
- Assurez-vous de correctement mettre à la terre le boîtier d'alimentation électrique.

RISK OF FIRE

- Respectez tous les codes NEC et codes locaux.
- N'utilisez que des fils approuvés par UL pour les entrées/sorties de connexion. Taille minimum 18 AWG (0.75mm²).

Save These Instructions

Use only in the manner intended by the manufacturer. If you have any questions, contact the manufacturer.

IMPORTANT SAFEGUARDS

When using electrical equipment, basic safety precautions should always be followed including the following:

- READ AND FOLLOW ALL SAFETY INSTRUCTIONS.
- Do not use outdoors (this item may be omitted if the product is suitable for outdoor use).
- Do not mount near gas or electric heaters.
- Equipment should be mounted in locations and at heights where it will not readily be subjected to tampering by unauthorized personnel.
- The use of accessory equipment not recommended by the manufacturer may cause an unsafe condition.
- Do not use this equipment for other than intended use.

WARNING: If any Special Control Devices are used with this Fixture, Follow the Instructions carefully to assure full compliance with N.E.C. requirements. If there are any questions, contact a Qualified Electrical Contractor.

WARNING: This product contains chemicals known to the State of California to cause cancer, birth defects and/or other reproductive harm. Thoroughly wash hands after installing, handling, cleaning, or otherwise touching this product.

WARNING: This product must be installed in accordance with the applicable installation code by a person familiar with the construction and operation of the product and the hazards involved.

Prepare Electrical Wiring



Electrical Requirements

- The LED luminaire must be connected to the mains supply according to its ratings on the product label.

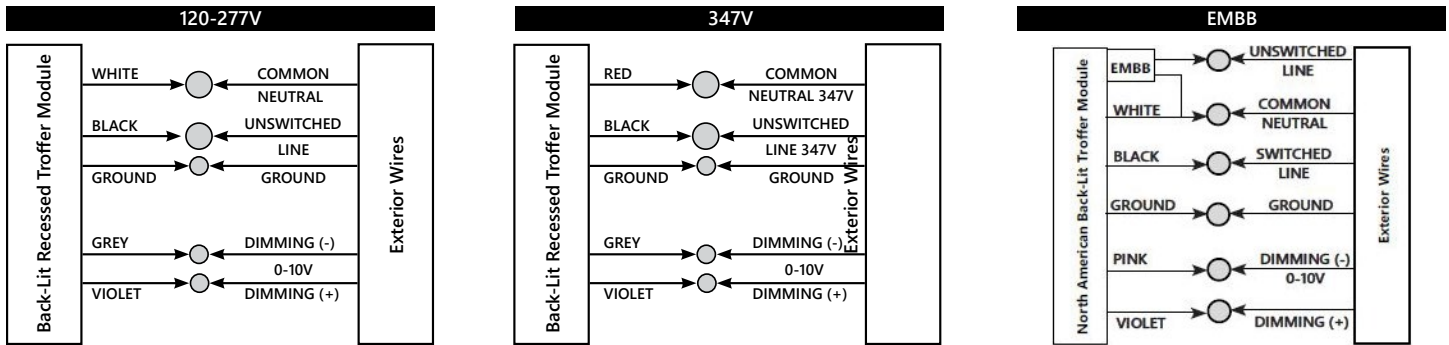


Grounding Instructions

- The grounding and bonding of the overall system shall be done in accordance with the National Electric Code (NEC) Article 600 and local code

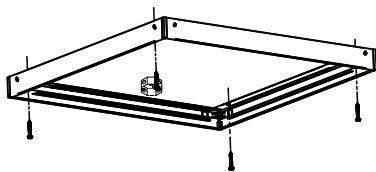
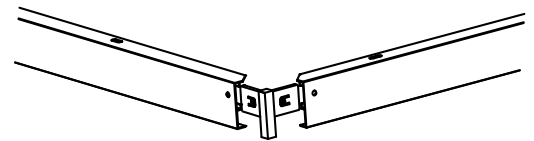
WARNING

Risk of electrical shock. Disconnect power before servicing or installing product.
Risque de choc électrique. Couper l'alimentation avant le dépannage ou avant l'installation du produit

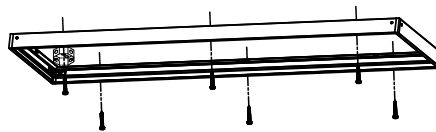


INSTALLATION

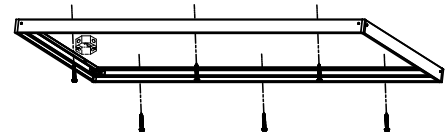
1. Snap corner-joint to aluminum frame, and make sure the bumps of the plastic corner-joint are in the holes of the aluminum frames
2. Attach frame to ceiling structure positioning such that the assembly is 6 inches past the J-box on one end, using mounting holes on opposite sides of frame as shown.
3. Connect wiring to luminaire in accordance with NEC requirements using listed flexible metal conduit (provided by Current or others) and fittings at each end.



PSMK-22

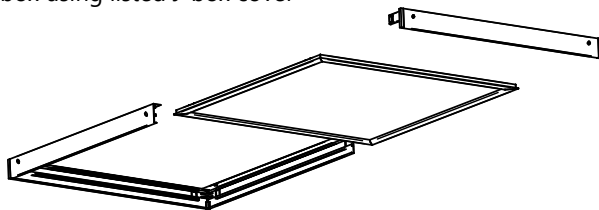


PSMK-14

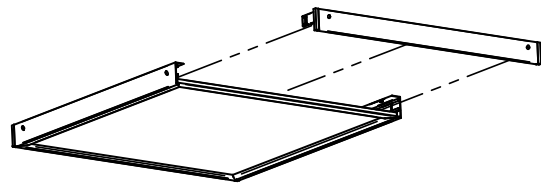


PSMK-24

4. Remove non-mounted frame (opposite end of J-box), slide luminaire into frame leaving access to J-box to complete wiring to J-box using listed J-box cover



5. Slide fixture fully into surface mount frame and re-install frame side to complete assembly.



Surface Kit Model No.	Current Recessed Luminaire Model No.	Max Luminaire Weight (kg)/lbs	Luminaire Max Wattage
PSMK14	CBT14, LBP14 or CBP14 Series	2.34/5.16	38
PSMK22	CBT22, LBP22 or CBP22 Series	2.12/4.67	38
	CLT22, TCL22 or PCL 22 Series	2.9/6.39	38
PSMK24	CBT24, LBP24 or CBP24 Series	3.95/8.71	45
	CLT24, TCL24 or PCL24 Series	5.2/11.46	45
DSMK14	NBT14, LCAT14-S, LCAT14-S-LSCS, CBT14, LBP14 or CBP14 Series with ELL14	4.65/10.25	60
DSMK22	NBT22, LCAT22-S, LCAT22-S-LSCS, CBT22, LBP22 or CBP22 Series With ELL14	4.62/10.18	52
	CLT22, TCL22 or PCL22 Series with ELL14	4.34/9.56	41
DSMK24	NBT24, LCAT24-S, LCAT24-S-LSCS, CBT24, LBP24 or CBP24 Series with ELL14	8.39/18.5	75
	CLT24, TCL24, PCL24 Series with ELL14	7.7/16.98	45

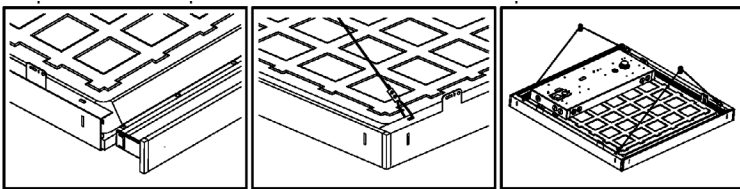
INSTALLATION METHOD 2: CABLE MOUNT – NON-POWER FEED SUSPENSION KIT

CAUTION

- All connections and assembled components need to be tightened and securely fastened. Do not remove die cast end from cable. Crimps are factory pressed onto cable for maximum strength. Current will not be responsible for damage or injuries which occur due to the cable/crimp alterations.
- This product must be installed in accordance with the applicable installation code by a person familiar with the construction and operation of the product and the hazards involved.

STEP 1

Thread one end of gripper cross cable through safety stop ⑩, then through fixture bracket hole, and back through safety stop to complete loop as shown in picture. Secure with screws. Repeat on other side.



STEP 2

J-box bracket option: Securely install J-box bracket ① onto the junction box with the two #8-32 screws ②. Install the 1/4-20 threaded stud ③ into center hole of the bracket. Leave approx. 1/2"-3/4" exposed thread. Install the ground screw ④, which will be used later.

STEP 3

Thread cable with stop ⑧ through top threaded end of barrel coupler ⑦ and pull cable until stop is seated inside coupler.

STEP 4

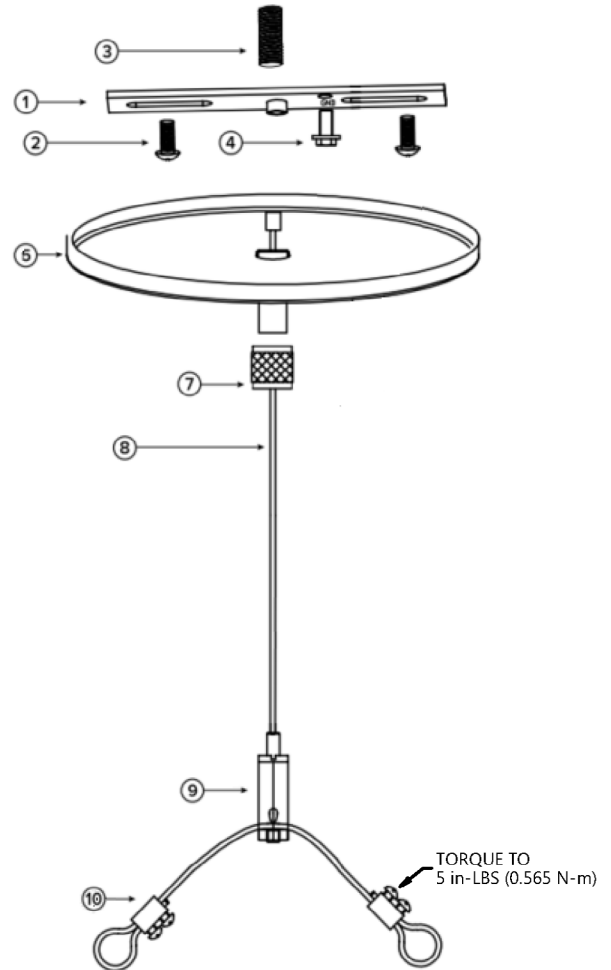
Install 1/4"-20 anchor onto ceiling. Fasten threaded stem making sure that the bottom protrudes approximately 3/4" from the surface of the ceiling. Insert non-power feed canopy over the stem, and secure the canopy in place by threading the cable coupler and suspension cable onto the protruding stem.

STEP 5

Feed open end of cable through top plunger end of cable gripper. Gripper will engage around cable to prevent slipping. Adjust cable gripper position by pressing top plunger down. With the plunger depressed the gripper will move freely to any position.

STEP 6

Lift fixture to ceiling and thread cable completely through gripper. After the final cable gripper position is determined, trim excess cable no less than 3" beyond cable gripper outlet.



J-box bracket option

Item	Description	QTY
1	J-Box Bracket	1
2	#8-32 screws	2
3	1/4-20 Threaded Stud	1
4	Ground Screw	1
6	5" Canopy	1
7	Barrell Coupler	1
8	Cable with stop	1
9	Gripper with cross cable	1
10	Safety Stop	1

T-bar clip option

Item	Description	QTY
5	T-Bar Clip	1
6	5" Canopy	1
7	Barrell Coupler	1
8	Cable with stop	1
9	Gripper with cross cable	1
10	Safety Stop	1

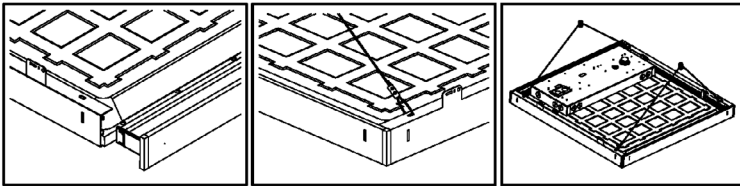
INSTALLATION METHOD 2: CABLE MOUNT – POWER FEED SUSPENSION KIT (Universal voltage only)

CAUTION

- All connections and assembled components need to be tightened and securely fastened. Do not remove die cast end from cable. Crimps are factory pressed onto cable for maximum strength. Current will not be responsible for damage or injuries which occur due to the cable/crimp alterations.
- This product must be installed in accordance with the applicable installation code by a person familiar with the construction and operation of the product and the hazards involved.

STEP 1

Thread one end of gripper cross cable through safety stop ⑫, then through fixture bracket hole, and back through safety stop to complete loop as shown in picture. Secure with screws. Repeat on other side.



STEP 2

Securely install J-box bracket ① onto the junction box with the two #8-32 screws ②. Install the 1/4-20 threaded stud ③ into center hole of the bracket. Leave approx. 1/2"-3/4" exposed thread. Install the ground screw ④, which will be used later.

STEP 3

Insert the cord set ⑩ into the junction box and make the connections per all the appropriate electrical codes. For T-bar ceilings, the junction box installation is not covered in these instructions, but code requirements must be followed.

STEP 4

Thread cable with stop ⑨ through top threaded end of barrel coupler ⑦ and pull cable until stop is seated inside coupler.

STEP 5

Feed cord set through larger canopy hole and secure canopy to 1/4-20 stud with barrel coupler. You may need to adjust the height of the 1/4-20 stud.

STEP 6

Use pliers to install strain relief bushing ⑥ around cord set and into canopy hole.

STEP 7

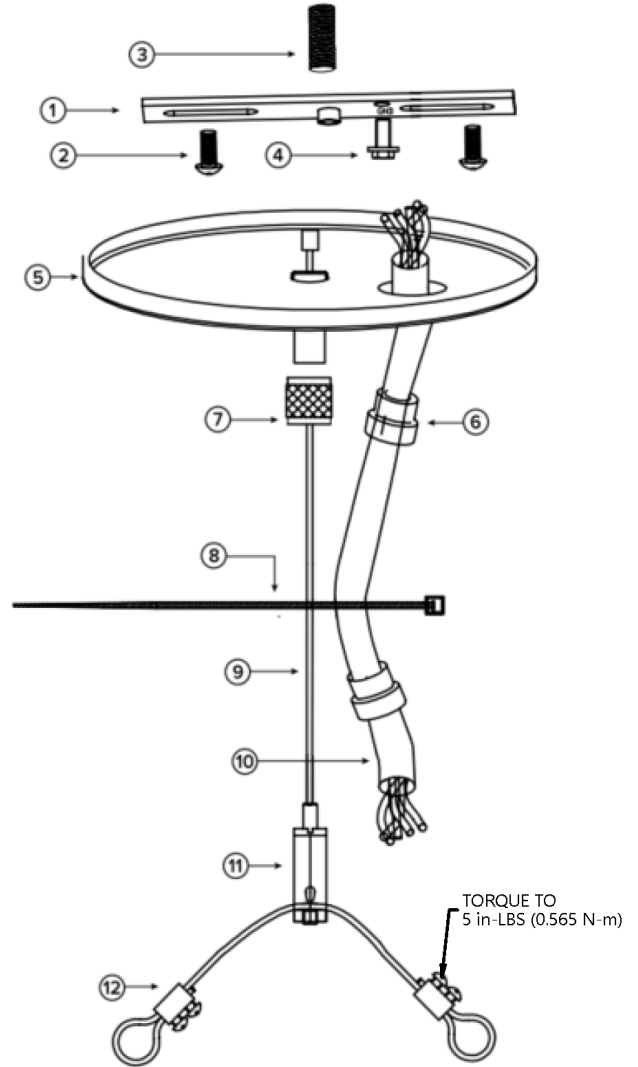
Thread cable through top plunger end of gripper. Insert cable completely through cable gripper. Gripper will engage around cable to prevent slipping. Adjust cable gripper position by pressing top plunger down, with the plunger depressed the gripper will move freely to any position.

STEP 8

Determine the final position of the fixture and the length of the cord set and cable that are required for the application. If necessary, trim the cord set length and adjust cord guide as appropriate to the fixture design. After the final cable gripper position is determined, trim excess cable no less than 3" beyond cable gripper outlet. Cord set can be secured to cable with provided cable ties ⑧.

STEP 9

Make electrical connections in the lighting fixture as appropriate. Be sure to follow all local and national code requirements.



Item	Description	QTY
1	J-Box Bracket	1
2	#8-32 screws	2
3	1/4-20 Threaded Stud	1
4	Ground Screw	1
5	5" Canopy	1
6	Strain Relief Bushing	2
7	Coupler	1
8	Cable tie	1
9	Cable with stop	1
10	18/5 SJT Cord set	1
11	Gripper with cross cable	1
12	Safety Stop	1

Note: Approved electrical box must be attached appropriately and by qualified person. Installation must comply with local and/ or national code. Check local building codes prior to installation.

Warning: Risk of electric shock. Cable kit installation requires knowledge of lighting luminaire electric systems. If not qualified, do not attempt installation—contact qualified electrician.

Warning: Install this cable kit securely only with a lighting luminaire that has been designed or modified to accommodate the components supplied with this kit and secured to a structural member.

Notice: Turn off the electrical power to the lighting luminaire circuit during the installation process.

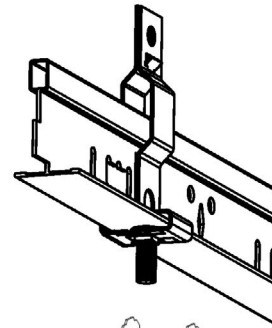
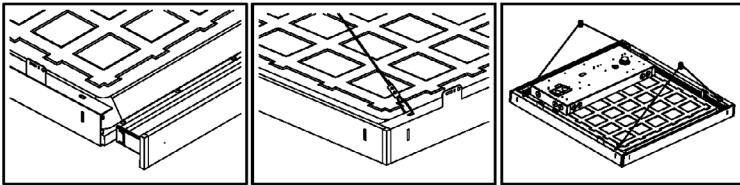
INSTALLATION METHOD 3: T-BAR MOUNT – NON-POWER FEED SUSPENSION KIT

CAUTION

- All connections and assembled components need to be tightened and securely fastened. Do not remove die cast end from cable. Crimps are factory pressed onto cable for maximum strength. Current will not be responsible for damage or injuries which occur due to the cable/crimp alterations.
- This product must be installed in accordance with the applicable installation code by a person familiar with the construction and operation of the product and the hazards involved.

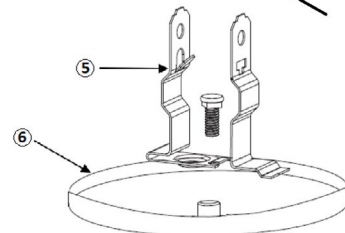
STEP 1

Thread one end of gripper cross cable through safety stop ⑩, then through fixture bracket hole, and back through safety stop to complete loop as shown in picture. Secure with screws. Repeat on other side.



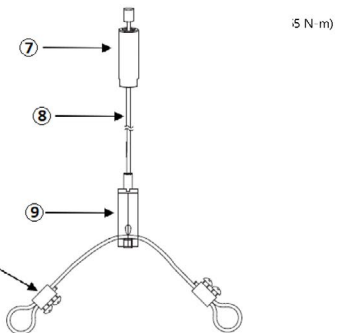
STEP 2

T-bar clip option: Place 1/4-20 stud into square opening on the bottom of T-bar clip ⑤ as pictured. Position T-bar clip on ceiling grid at required location. Slide T-Bar Clip over T-Bar structural member. Secure clip to structural member with 1/4-20 screw and nut at 1/4" diameter hole located at the top of the clip (1/4-20 screw & nut not included).



STEP 3

Thread cable with stop ⑧ through top threaded end of barrel coupler ⑦ and pull cable until stop is seated inside coupler.



STEP 4

Place 5" canopy ⑥ over mounting stud on T-bar and hold canopy against ceiling surface. Thread barrel coupler ⑦ onto stud and secure.

STEP 5

Feed open end of cable through top plunger end of cable gripper. Gripper will engage around cable to prevent slipping. Adjust cable gripper position by pressing top plunger down. With the plunger depressed the gripper will move freely to any position.

STEP 6

Lift fixture to ceiling and thread cable completely through gripper. After the final cable gripper position is determined, trim excess cable no less than 3" beyond cable gripper outlet.

T-bar clip option		
Item	Description	QTY
5	T-Bar Clip	1
6	5" Canopy	1
7	Barrell Coupler	1
8	Cable with Stop	1
9	Gripper with cross cable	1
10	Safety Stop	1

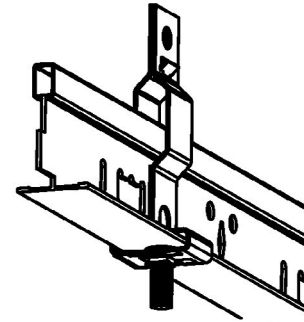
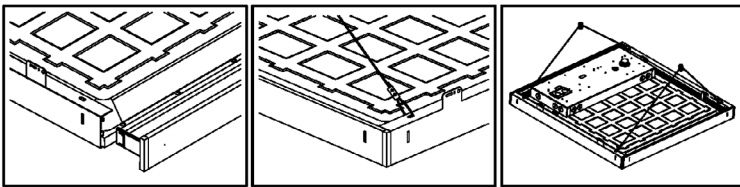
INSTALLATION METHOD 3: T-BAR MOUNT – POWER FEED SUSPENSION KIT

CAUTION

- All connections and assembled components need to be tightened and securely fastened. Do not remove die cast end from cable. Crimps are factory pressed onto cable for maximum strength. Current will not be responsible for damage or injuries which occur due to the cable/crimp alterations.
- This product must be installed in accordance with the applicable installation code by a person familiar with the construction and operation of the product and the hazards involved.

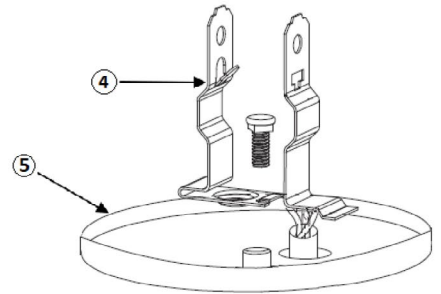
STEP 1

Thread one end of gripper cross cable through safety stop ⑫, then through fixture bracket hole, and back through safety stop to complete loop as shown in picture. Secure with screws. Repeat on other side.



STEP 2

T-bar clip option: Place 1/4-20 stud into square opening on the bottom of T-bar clip ④ as pictured. Position T-bar clip on ceiling grid at required location. Slide T-Bar Clip over T-Bar structural member. Secure clip to structural member with 1/4-20 screw and nut at 1/4" diameter hole located at the top of the clip (1/4-20 screw & nut not included).

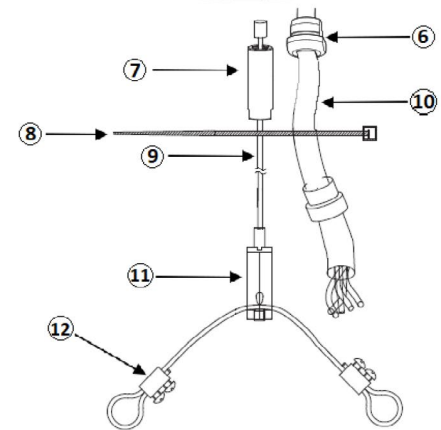


STEP 3

Thread cable with stop ⑨ through top threaded end of barrel coupler ⑦ and pull cable until stop is seated inside coupler.

STEP 4

Place 5" canopy over mounting stud on T-bar and hold canopy against ceiling surface. Thread barrel coupler ⑦ onto stud and secure.



STEP 5

Feed cord set through larger canopy hole and secure canopy to 1/4-20 stud with barrel coupler. You may need to adjust the height of the 1/4-20 stud.

STEP 6

Use pliers to install strain relief bushing ⑥ around cord set and into canopy hole.

STEP 7

Thread cable through top plunger end of gripper. Insert cable completely through cable gripper. Gripper will engage around cable to prevent slipping. Adjust cable gripper position by pressing top plunger down, with the plunger depressed the gripper will move freely to any position.

STEP 8

Determine the final position of the fixture and the length of the cord set and cable that are required for the application. If necessary, trim the cord set length and adjust cord guide as appropriate to the fixture design. After the final cable gripper position is determined, trim excess cable no less than 3" beyond cable gripper outlet. Cord set can be secured to cable with provided cable ties ⑧.

T-bar clip option

Item	Description	QTY
4	T-Bar Clip	1
5	5" Canopy	1
6	Strain Relief Bushing	1
7	Barrell Coupler	1
8	Cable tie	1
9	Cable with Stop	1
10	18/5 SJT Cord ser	1
11	Gripper with cross cable	1
12	Safety Stop	1

STEP 9

Make electrical connections in the lighting fixture as appropriate. Be sure to follow all local and national code requirements.

Note: Approved electrical box must be attached appropriately and by qualified person. Installation must comply with local and/ or national code. Check local building codes prior to installation.

Warning: Risk of electric shock. Cable kit installation requires knowledge of lighting luminaire electric systems. If not qualified, do not attempt installation—contact qualified electrician.

Warning: Install this cable kit securely only with a lighting luminaire that has been designed or modified to accommodate the components supplied with this kit and secured to a structural member.

Notice: Turn off the electrical power to the lighting luminaire circuit during the installation process.