

# Flange Kit and Plaster Frame

RECESSED ACCESSORIES

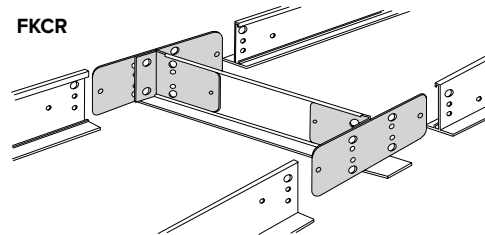
## **FLANGE KITS**

Flange kits are extruded aluminum frames that act as individual fixture T-Bar frames to support the weight of any G (grid) trim recessed fixture in drywall or plaster ceilings. Kits snap together without the use of tools (18 gauge galvanized corner clips provided) and are hung by tie wire (by others) from the ceiling support structure.

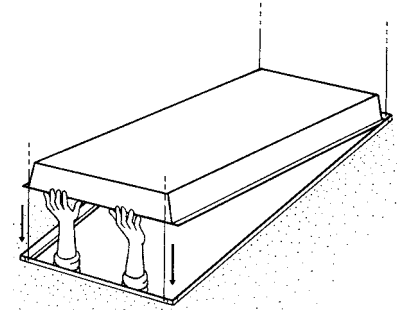
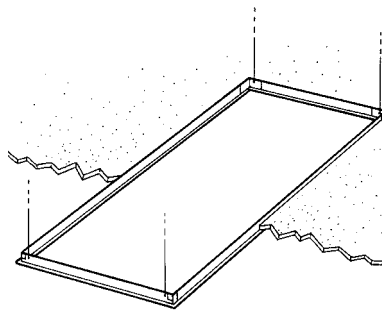
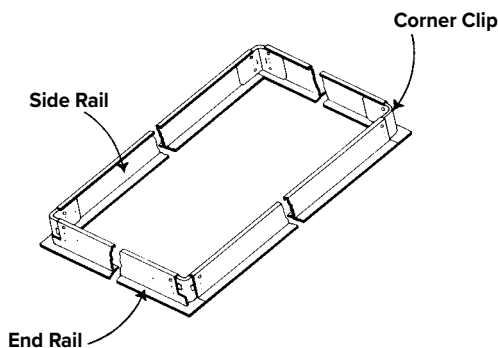
From the room side flange kits mimic the appearance of T-Bars in a baked white enamel finish. Consult chart for ceiling cut out dimension.

For continuous row applications order flange kits plus one FKCR, continuous row flange connector kit, for each joint between fixtures. (One less than the number of fixtures in the row.)

Flange Kit		Ceiling Opening	
Catalog No.	Size	Width	Length
FK14	1' x 4'	12 <sup>3</sup> / <sub>8</sub> "	48 <sup>3</sup> / <sub>8</sub> "
FK22	2' x 2'	24 <sup>3</sup> / <sub>8</sub> "	24 <sup>3</sup> / <sub>8</sub> "
FK24	2' x 4'	24 <sup>3</sup> / <sub>8</sub> "	48 <sup>3</sup> / <sub>8</sub> "



## **FLANGE KIT INSTALLATION INSTRUCTIONS**



1. Cut ceiling opening to proper dimensions. Slip fit corner clips into side and end rails. No tools are required.

2a. Place Flange Kit in ceiling opening and wire each corner to ceiling structure. Pull up tight against ceiling.

3. Place grid trim troffer in Flange Kit.

2b. For Cleanroom applications place a continuous bead of approved (RTV or alternate approved by the building owner/consulting engineer for the application) caulk on the back side of the housing flange.